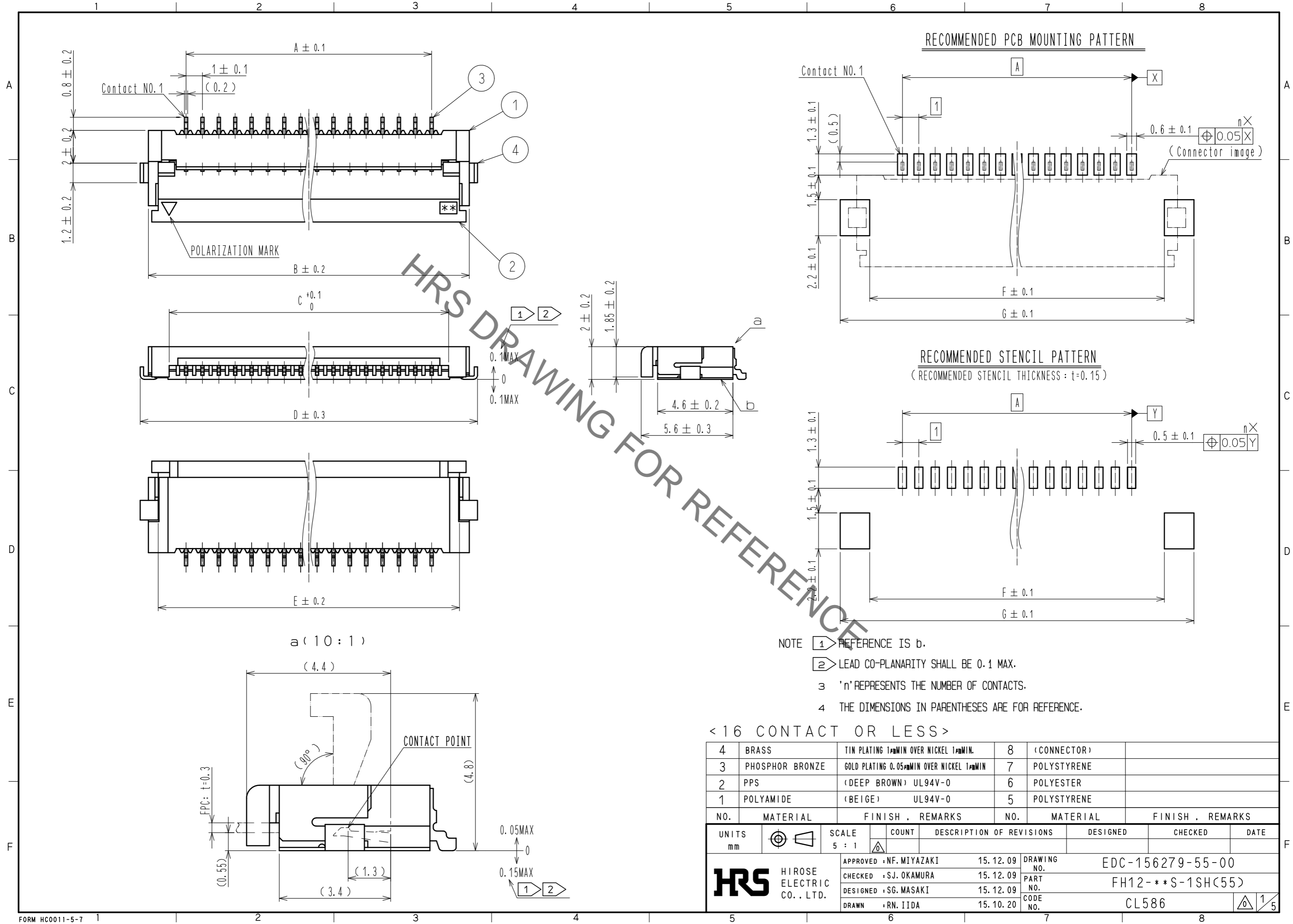
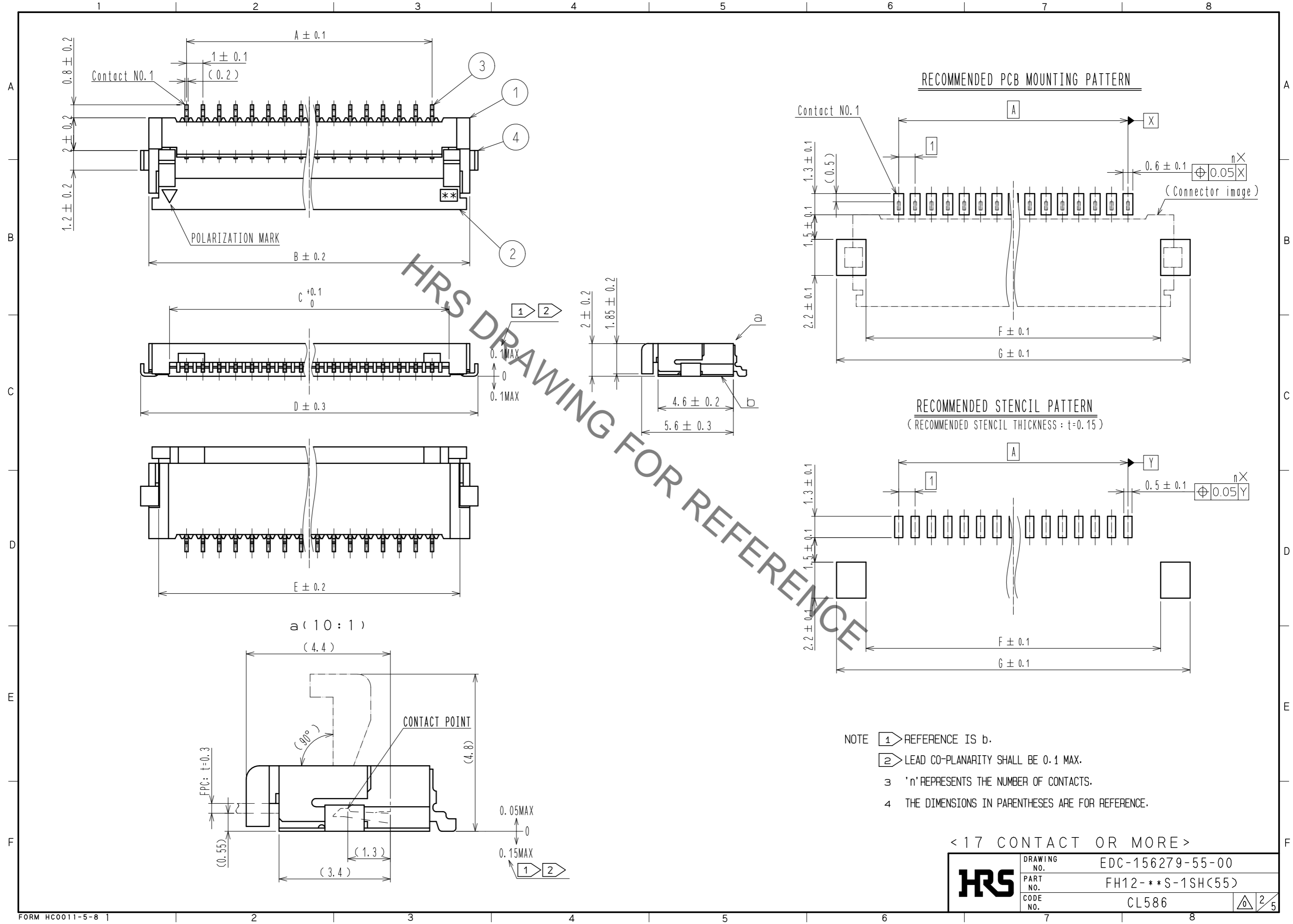


Jun.1.2019 Copyright 2019 HIROSE ELECTRIC CO., LTD. All Rights Reserved.
In case of consideration for using Automotive equipment / device which demand high reliability, kindly contact our sales window correspondents.



HRS DRAWING FOR REFERENCE

Jun.1.2019 Copyright 2019 HIROSE ELECTRIC CO., LTD. All Rights Reserved.
 In case of consideration for using Automotive equipment / device which demand high reliability, kindly contact our sales window correspondents.



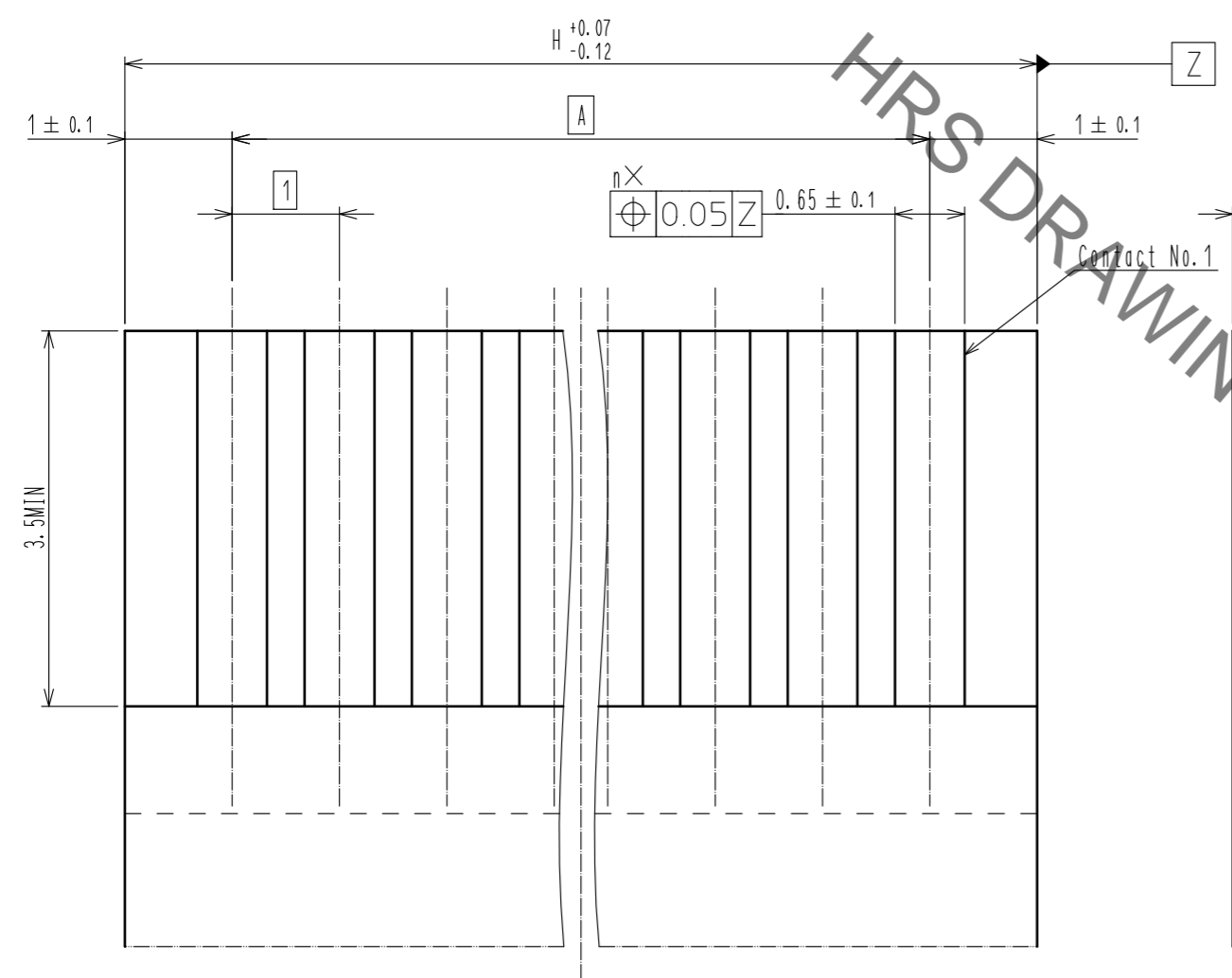
- NOTE
- ① REFERENCE IS b.
 - ② LEAD CO-PLANARITY SHALL BE 0.1 MAX.
 - ③ 'n' REPRESENTS THE NUMBER OF CONTACTS.
 - ④ THE DIMENSIONS IN PARENTHESES ARE FOR REFERENCE.

< 17 CONTACT OR MORE >

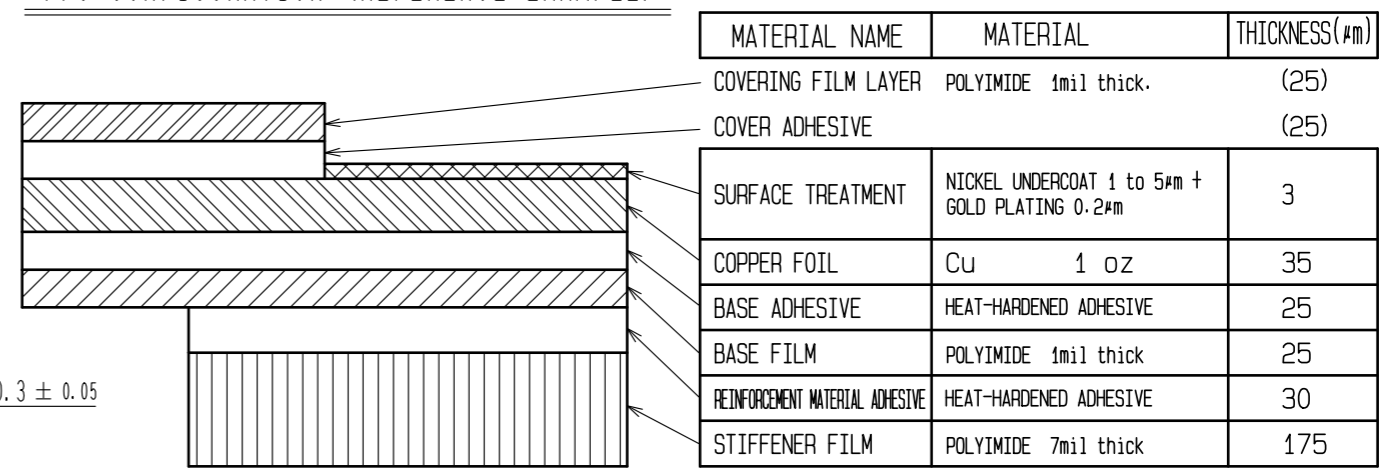
| | | |
|------------|-------------|-------------------|
| HRS | DRAWING NO. | EDC-156279-55-00 |
| | PART NO. | FH12-**-S-1SH(55) |
| | CODE NO. | CL586 |
| | | ②/5 |

Jun.1.2019 Copyright 2019 HIROSE ELECTRIC CO., LTD. All Rights Reserved.
In case of consideration for using Automotive equipment / device which demand high reliability, kindly contact our sales window correspondents.

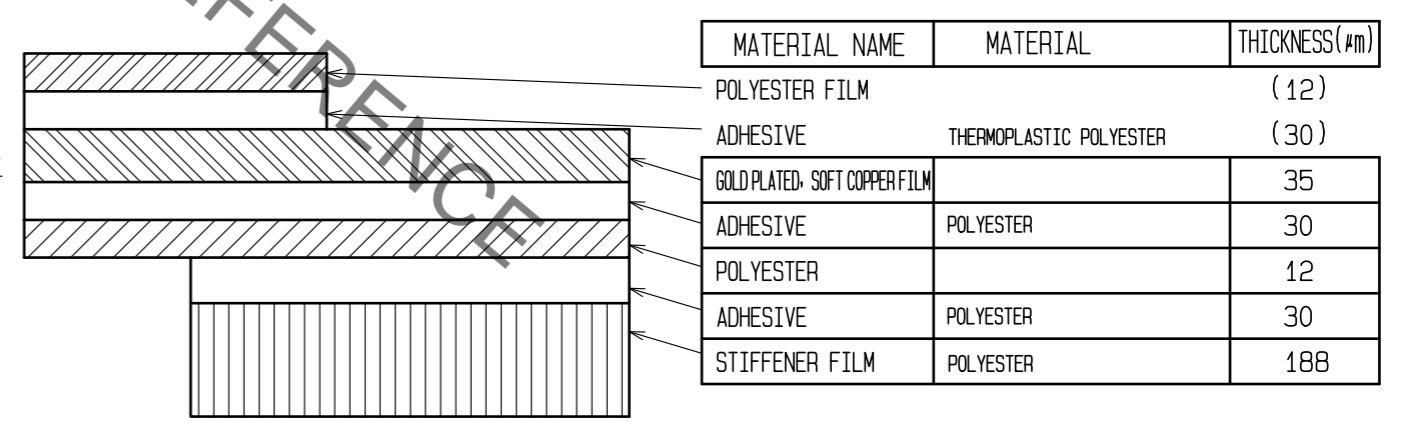
RECOMMENDED FPC/FFC (15:1)



FPC CONFIGURATION (REFERENCE EXAMPLE) (SCALE:FREE)



FFC CONFIGURATION (REFERENCE EXAMPLE) (SCALE:FREE)



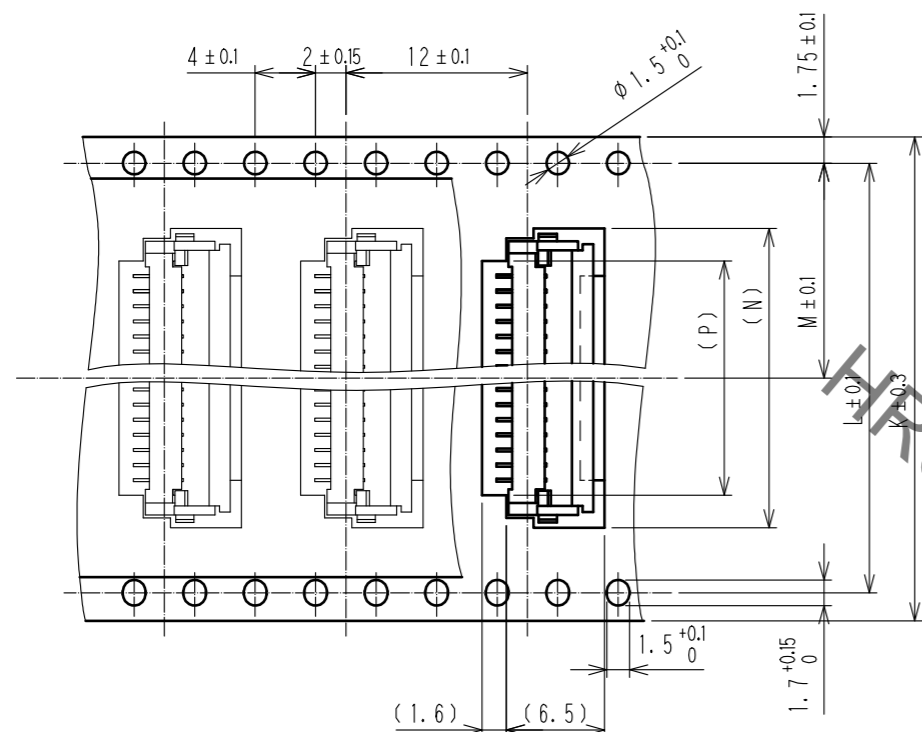
| | | |
|------------|-------------|-------------------|
| HRS | DRAWING NO. | EDC-156279-55-00 |
| | PART NO. | FH12-**-S-1SH(55) |
| | CODE NO. | CL586 |

3/5

Jun.1.2019 Copyright 2019 HIROSE ELECTRIC CO., LTD. All Rights Reserved.
 In case of consideration for using Automotive equipment / device which demand high reliability, kindly contact our sales window correspondents.

EMBOSSED CARRIER TAPE DIMENSION(2:1)

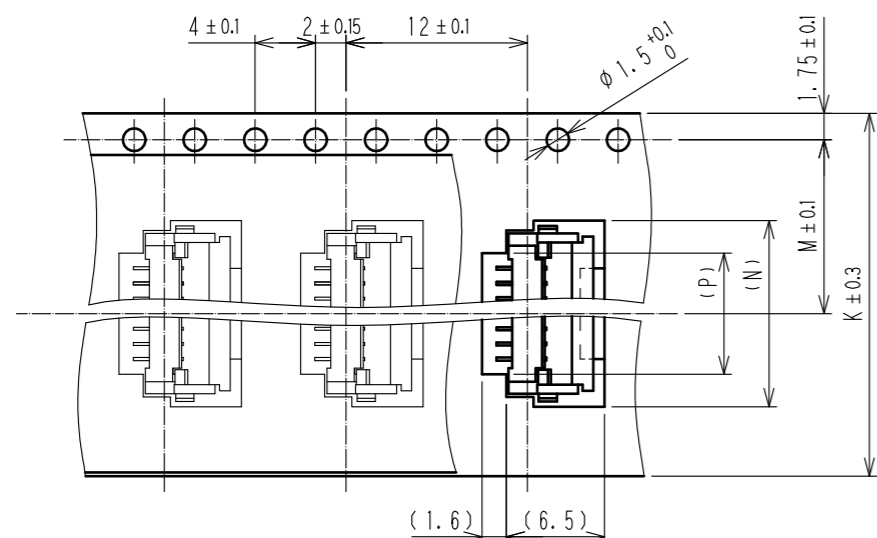
TAPE WIDTH:32mm MIN



DIRECTION OF UNREELING



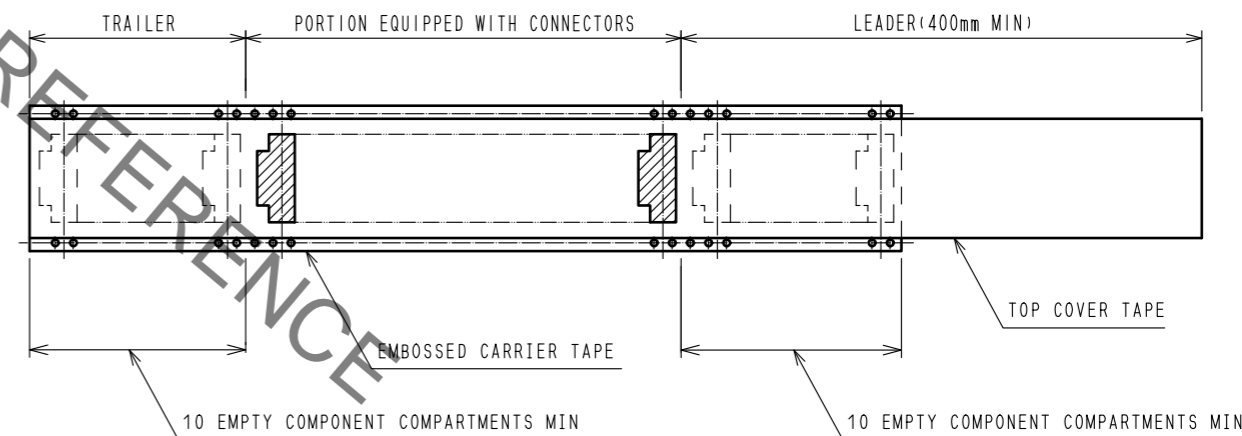
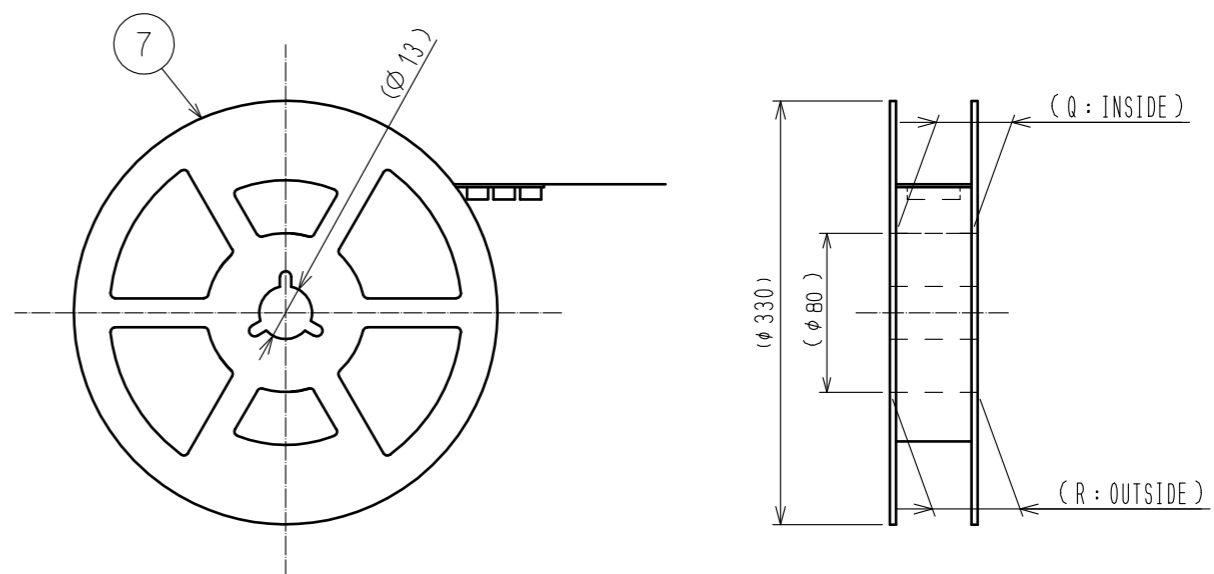
TAPE WIDTH:24mm MAX



DIRECTION OF UNREELING



REEL DIMENSION (FREE)



6 PER REEL:2000 CONNECTORS.

7 SEE DIMENSION TABLE IN THE APPENDIX.

<DRAWING FOR PACKING>

| | | |
|------------|-------------|-------------------|
| HRS | DRAWING NO. | EDC-156279-55-00 |
| | PART NO. | FH12-**-S-1SH(55) |
| | CODE NO. | CL586 |
| | | 4/5 |

Jun.1.2019 Copyright 2019 HIROSE ELECTRIC CO., LTD. All Rights Reserved.
 In case of consideration for using Automotive equipment / device which demand high reliability, kindly contact our sales window correspondents.

| PART NO. | CODE NO. | NUMBER OF CONTACT | DIMENSION TABLE OF CONNECTOR, FPC, FFC, PCB MOUNTING PATTERN AND STENCIL PATTERN | | | | | | | | | DIMENSION TABLE OF DRAWING FOR PACKING | | | | | |
|-------------------|-----------------|-------------------|----------------------------------------------------------------------------------|------|-------|------|------|----|------|----|----|----------------------------------------|------|------|----|------|------|
| | | | A | B | C | D | E | F | G | H | K | L | M | N | P | Q | R |
| FH12- 5S-1SH(55) | CL586-0591-6-55 | 5 | 4 | 8.6 | 6.07 | 9.6 | 7.4 | 7 | 10.6 | 6 | 16 | — | 7.5 | 10.3 | 6 | 17.4 | 21.4 |
| FH12- 6S-1SH(55) | CL586-0607-4-55 | 6 | 5 | 9.6 | 7.07 | 10.6 | 8.4 | 8 | 11.6 | 7 | 24 | — | 11.5 | 11.3 | 7 | 25.4 | 29.4 |
| FH12- 7S-1SH(55) | CL586-0535-5-55 | 7 | 6 | 10.6 | 8.07 | 11.6 | 9.4 | 9 | 12.6 | 8 | 24 | — | 11.5 | 12.3 | 8 | 25.4 | 29.4 |
| FH12- 8S-1SH(55) | CL586-0579-0-55 | 8 | 7 | 11.6 | 9.07 | 12.6 | 10.4 | 10 | 13.6 | 9 | 24 | — | 11.5 | 13.3 | 9 | 25.4 | 29.4 |
| FH12- 9S-1SH(55) | CL586-0540-5-55 | 9 | 8 | 12.6 | 10.07 | 13.6 | 11.4 | 11 | 14.6 | 10 | 24 | — | 11.5 | 14.3 | 10 | 25.4 | 29.4 |
| FH12- 11S-1SH(55) | CL586-0668-9-55 | 11 | 10 | 14.6 | 12.07 | 15.6 | 13.4 | 13 | 16.6 | 12 | 24 | — | 11.5 | 16.3 | 12 | 25.4 | 29.4 |
| FH12- 12S-1SH(55) | CL586-0741-7-55 | 12 | 11 | 15.6 | 13.07 | 16.6 | 14.4 | 14 | 17.6 | 13 | 24 | — | 11.5 | 17.3 | 13 | 25.4 | 29.4 |
| FH12- 16S-1SH(55) | CL586-0536-8-55 | 16 | 15 | 19.6 | 17.07 | 20.6 | 18.4 | 18 | 21.6 | 17 | 32 | 28.4 | 14.2 | 21.3 | 17 | 33.4 | 37.4 |
| FH12- 17S-1SH(55) | CL586-0739-5-55 | 17 | 16 | 20.6 | 18.07 | 21.6 | 19.4 | 19 | 22.6 | 18 | 44 | 40.4 | 20.2 | 22.3 | 18 | 45.4 | 49.4 |
| FH12- 22S-1SH(55) | CL586-0547-4-55 | 22 | 21 | 25.6 | 23.07 | 26.6 | 24.4 | 24 | 27.6 | 23 | 44 | 40.4 | 20.2 | 27.3 | 23 | 45.4 | 49.4 |
| FH12- 26S-1SH(55) | CL586-0592-9-55 | 26 | 25 | 29.6 | 27.07 | 30.6 | 28.4 | 28 | 31.6 | 27 | 44 | 40.4 | 20.2 | 31.3 | 27 | 45.4 | 49.4 |

HRS DRAWING FOR REFERENCE

| | | |
|------------|-------------|-------------------|
| HRS | DRAWING NO. | EDC-156279-55-00 |
| | PART NO. | FH12- **S-1SH(55) |
| | CODE NO. | CL586 |
| | | 5/5 |

Mouser Electronics

Authorized Distributor

Click to View Pricing, Inventory, Delivery & Lifecycle Information:

[Hirose Electric:](#)

[FH12-8S-1SH\(55\)](#)