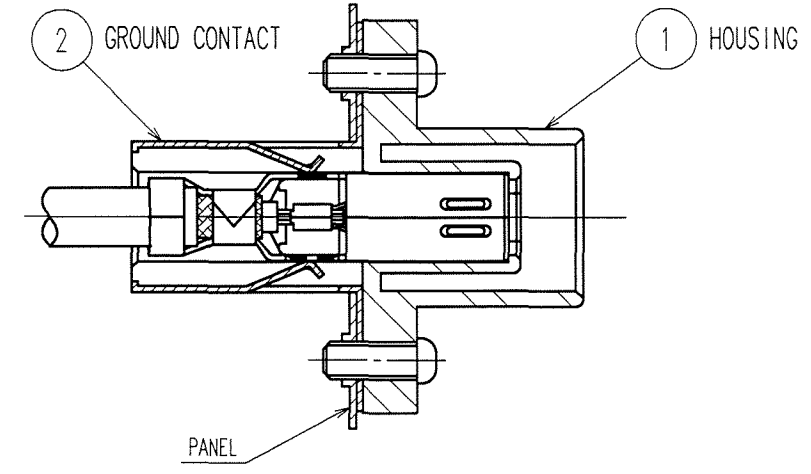
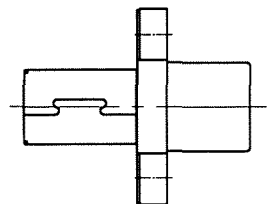
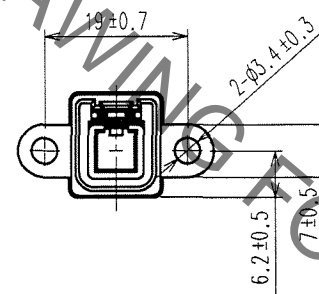
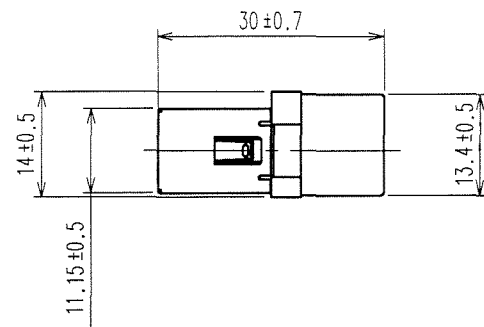
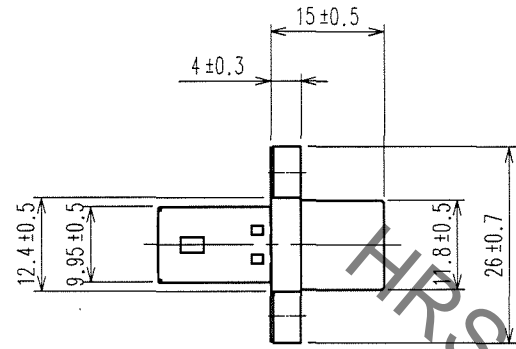


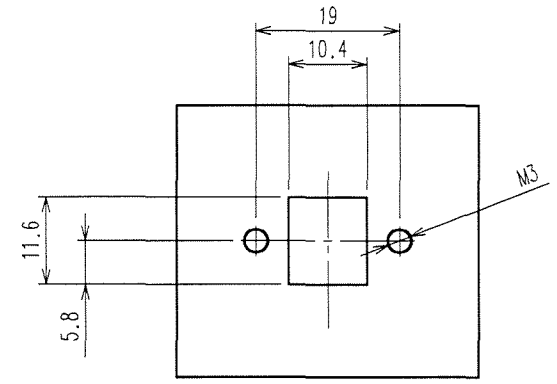
Jan.1.2022 Copyright 2022 HIROSE ELECTRIC CO., LTD. All Rights Reserved.
In case of consideration for using Automotive equipment / device which demand high reliability, kindly contact our sales window correspondents.

ELV. RoHS COMPLIANT

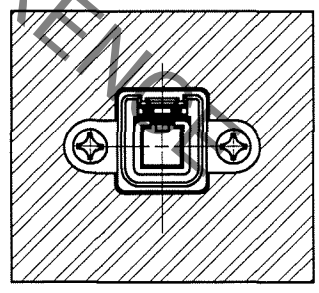
COUNT	DESCRIPTION OF REVISIONS	BY	CHKD	DATE	COUNT	DESCRIPTION OF REVISIONS	BY	CHKD	DATE
△					△				
△					△				
△					△				



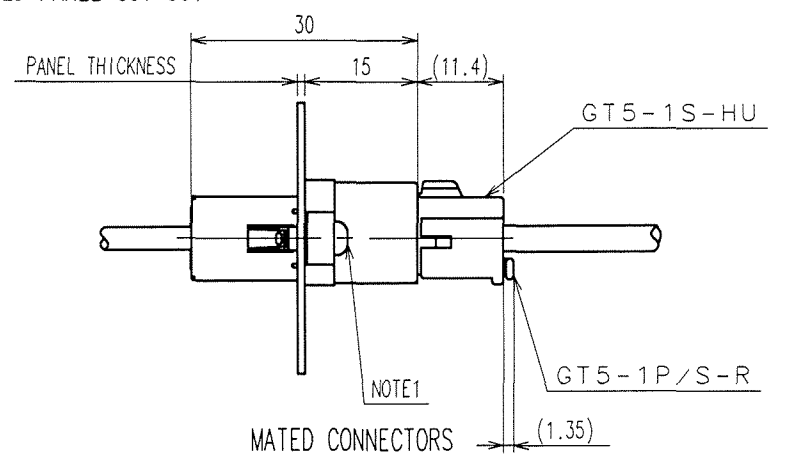
CUT SECTION INSERTED CONTACT (2 : 1)



RECOMMENDED PANEL CUT OUT



FIXED CONNECTOR ON THE PANEL



MATED CONNECTORS

NOTE1. FIXING SCREWS ISO7045,1580 SHALL BE FOR THIS PRODUCT.

1	PBT		2	BRASS	TIN PLATED, T=0.4
NO.	MATERIAL	FINISH, REMARKS	NO.	MATERIAL	FINISH, REMARKS
CODE NO. (OLD)			DRAWN	DESIGNED	CHECKED
			S.KURIYA	N.NAKATA	K. Sato
			'06.12.28	'94.3.1	'06.12.28
					K. Sato
					'06.12.28
DRAWING NO.			PART NO.		
EDC3-165060-01			GT5A-1PP-HU(70)		
UNITS			CODE NO.		
mm			CL755-0025-7-70		
			1/1		

TO

Mouser Electronics

Authorized Distributor

Click to View Pricing, Inventory, Delivery & Lifecycle Information:

[Hirose Electric:](#)

[GT5A-1PP-HU\(70\)](#)