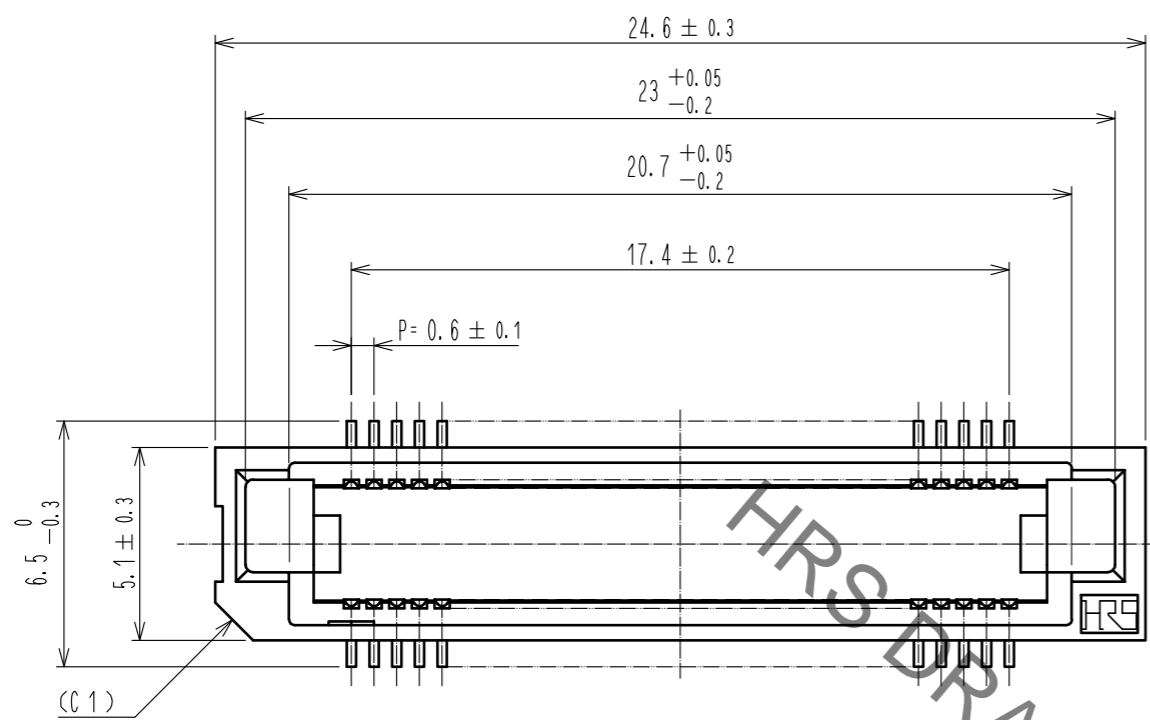
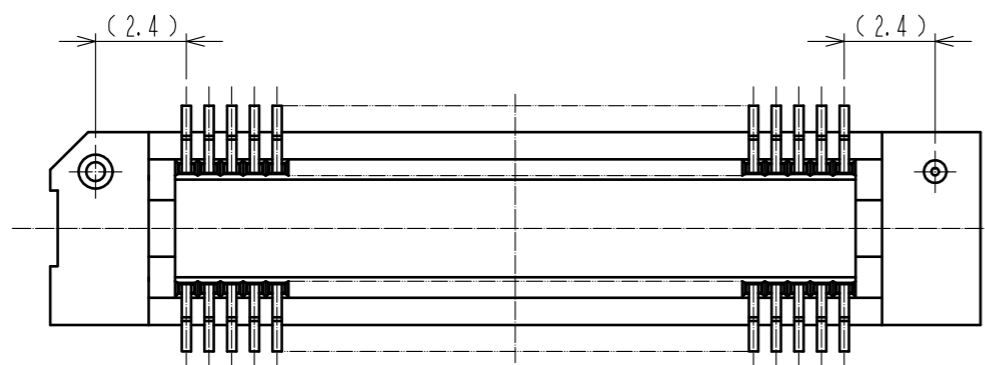
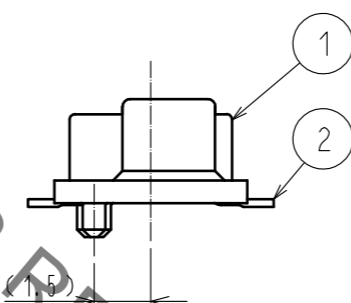
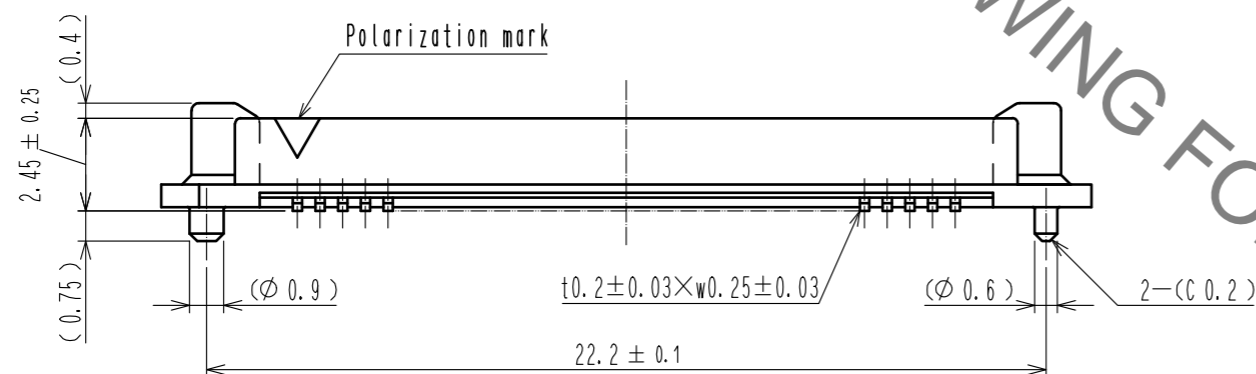
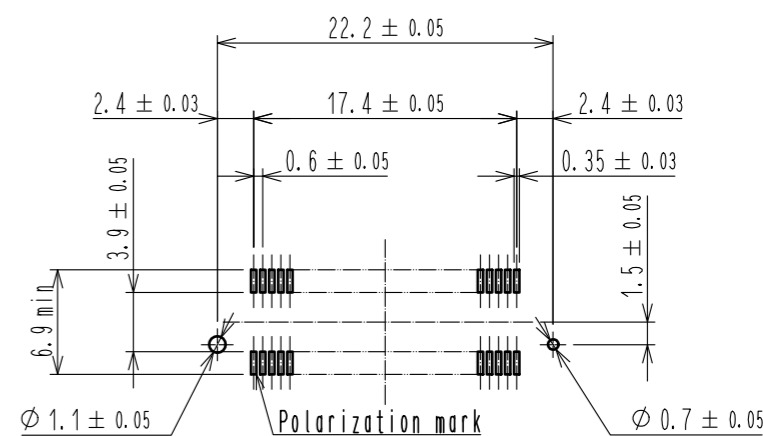


Sep.1.2021 Copyright 2021 HIROSE ELECTRIC CO., LTD. All Rights Reserved.  
In case of consideration for using Automotive equipment / device which demand high reliability, kindly contact our sales window correspondents.



Recommended land pattern dimension of PCB (mounting side) (2:1)



- Notes
- 1 Lead CO-PLANARITY shall be 0.1mm.
  - 2 For modification, etc., preventive hole for sink mark may be added according to circumstances.
  - 3 The dimensions in parentheses are for reference.

1	POLYPHENYLENE SULFIDE	Light brown	UL94V-0	2	PHOSPHOR BRONZE	Contact area : Gold 0.1µm min.
						Mounting area : Gold plating flash
						Under plating : Nickel 0.5µm min.
NO.	MATERIAL	FINISH . REMARKS		NO.	MATERIAL	FINISH . REMARKS
UNITS	⊕	SCALE	COUNT	DESCRIPTION OF REVISIONS		DESIGNED
mm		5 : 1	1	DIS-F-00006410		HT. YAMAGUCHI
				APPROVED : HS. OKAWA	20050705	DATE
				CHECKED : HS. OZAWA	20050705	20200803
				DESIGNED : TH. NODA	20050622	
				DRAWN : TH. NODA	20050622	
HIROSE ELECTRIC CO., LTD.				DRAWING NO.		EDC-150564-71-25
				PART NO.		FX8-60P-SV(71)
				CODE NO.		CL578-0001-6-71
						1/2

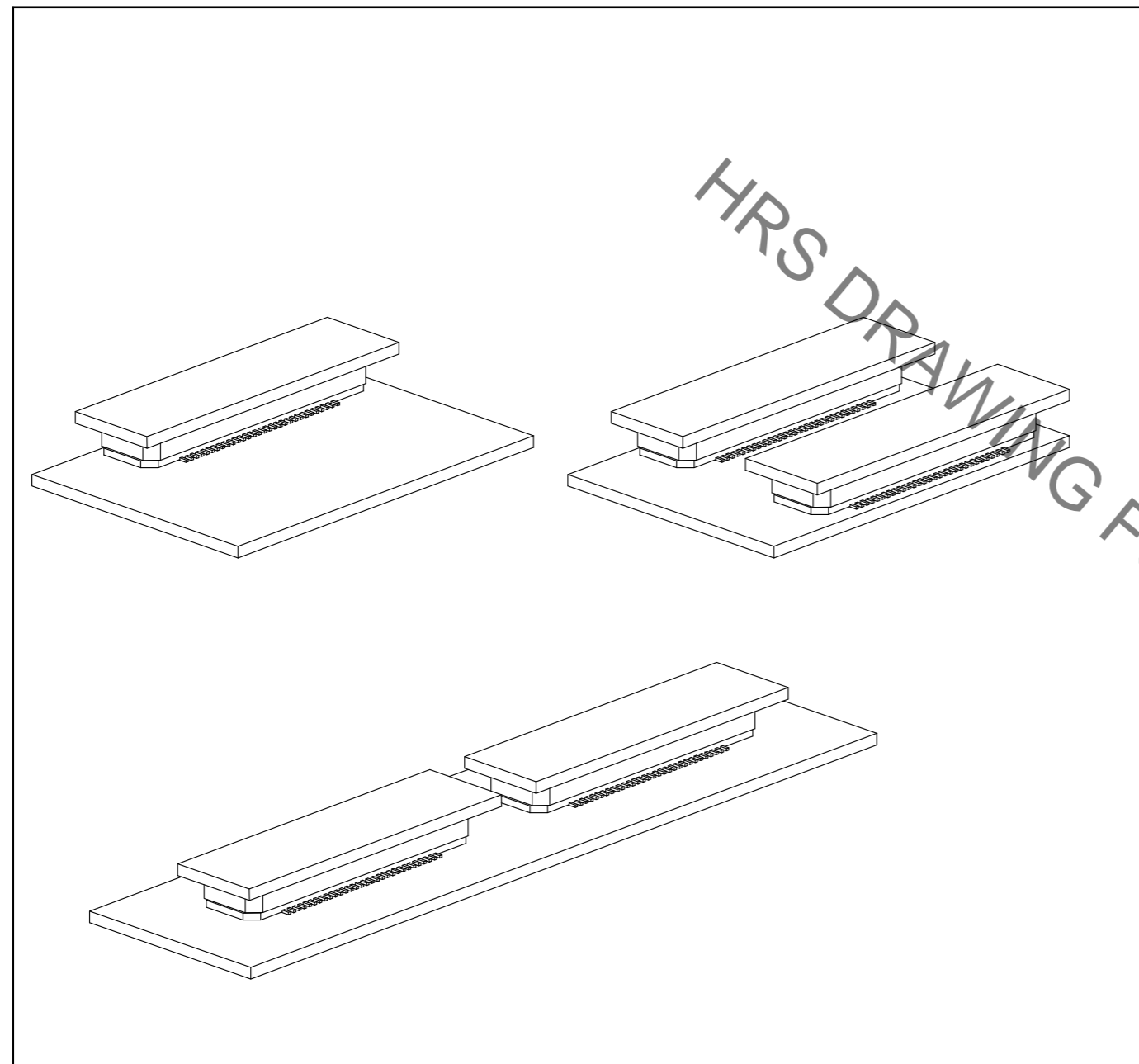
△ Added precaution

In case of consideration for using Automotive equipment / device which demand high reliability, kindly contact our sales window correspondents.

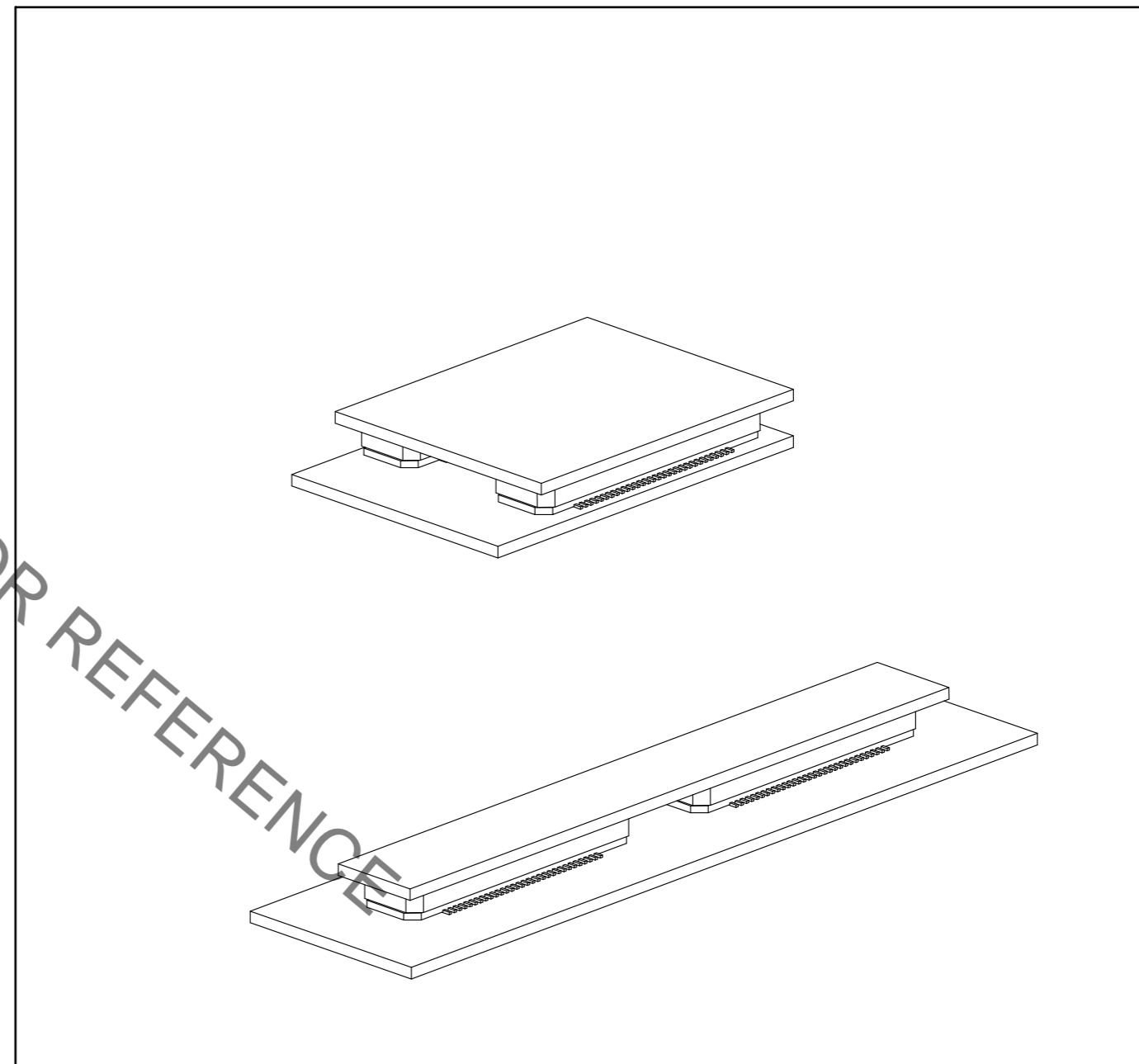
【 Precaution 】

When a board with multiple connectors mounted is mated, the connector may be damaged or deformed.  
Please divide one side of the board so only one connector is mated per board.

OK



NG



<b>HRS</b>	DRAWING NO.	EDC-150564-71-25
	PART NO.	FX8-60P-SV(71)
	CODE NO.	CL578-0001-6-71
		2/2

# Mouser Electronics

Authorized Distributor

Click to View Pricing, Inventory, Delivery & Lifecycle Information:

[Hirose Electric:](#)

[FX8-60P-SV\(71\)](#)