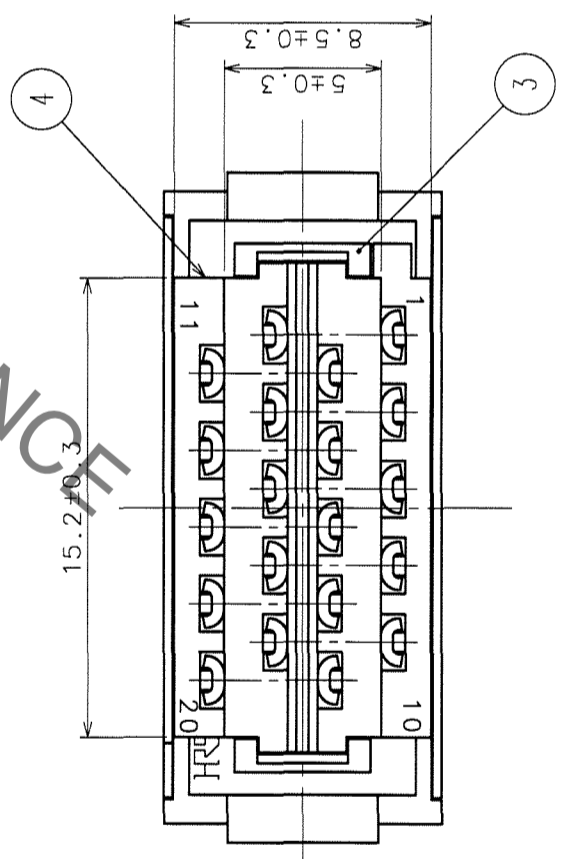
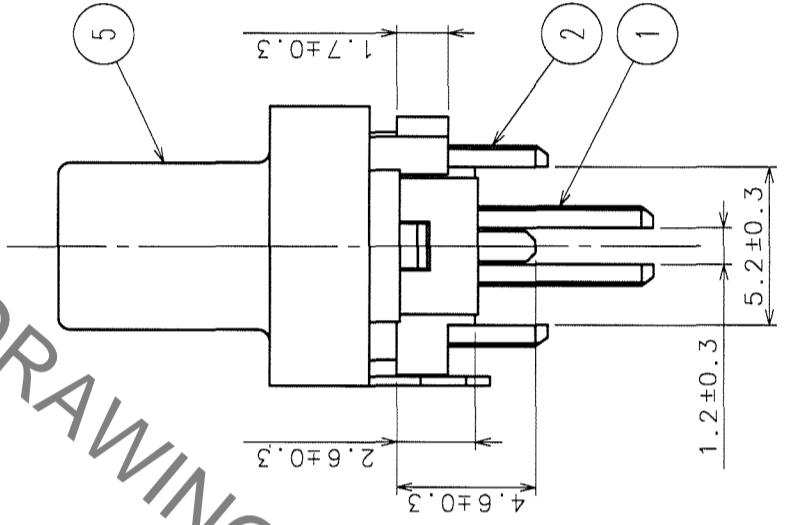
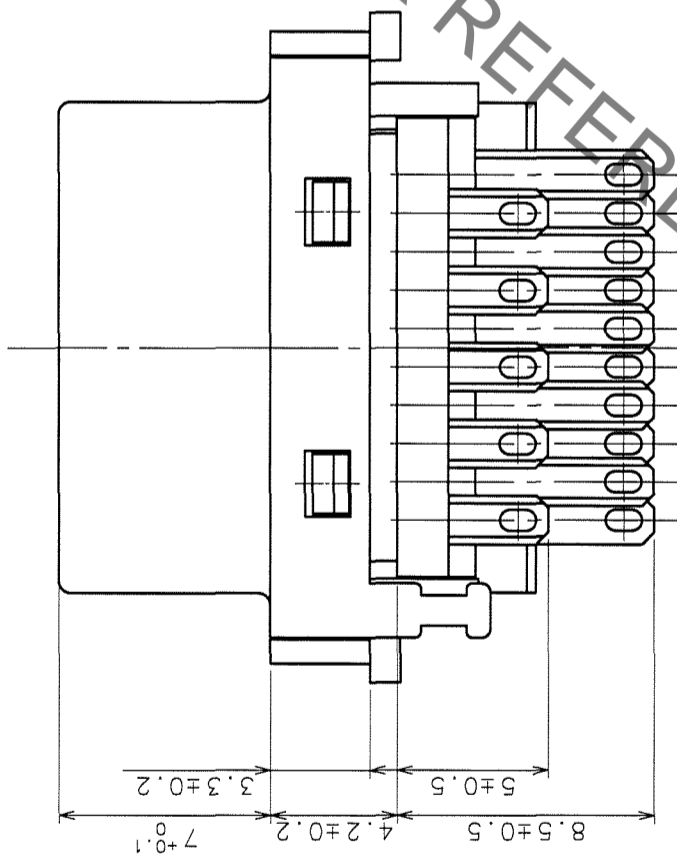
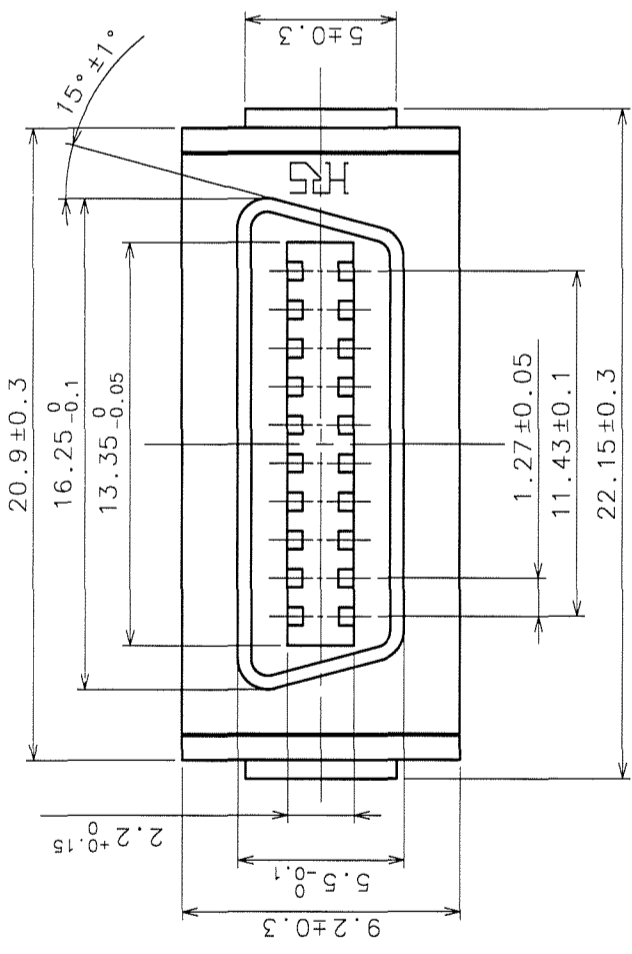


Sep.1.2021 Copyright 2021 HIROSE ELECTRIC CO., LTD. All Rights Reserved.
 In case of consideration for using Automotive equipment / device which demand high reliability, kindly contact our sales window correspondents.

COUNT	DESCRIPTION OF REVISIONS	BY	CHKD	DATE

COUNT	DESCRIPTION OF REVISIONS	BY	CHKD	DATE



HRS DRAWING FOR REFERENCE

NO.	MATERIAL	FINISH, REMARKS	NO.	MATERIAL	FINISH, REMARKS
2	PHOSPHOR BRONZE	SELECTIVE GOLD PLATING	5	STEEL	NICKEL PLATING
1	PHOSPHOR BRONZE	SELECTIVE GOLD PLATING	4	PPS	(BLACK) UL94V-0
			3	PPS	(BLACK) UL94V-0

CODE NO. (OLD)	DRAWN	DESIGNED	CHECKED	APPROVED	RELEASED
	M. Stone	F. Jamiguchi	Y. Enami	K. Murai	
	05.12.16	05.12.16	05.12.16	05.12.16	

DRAWING NO. EDC3-120440-01	PART NO. F140B-20S(50)	CODE NO. CL230-0518-7-50
SCALE 4 : 1	UNITS mm	FORM NO. 229

TO	Q1
----	----

Mouser Electronics

Authorized Distributor

Click to View Pricing, Inventory, Delivery & Lifecycle Information:

[Hirose Electric:](#)

[FI40B-20S\(50\)](#)