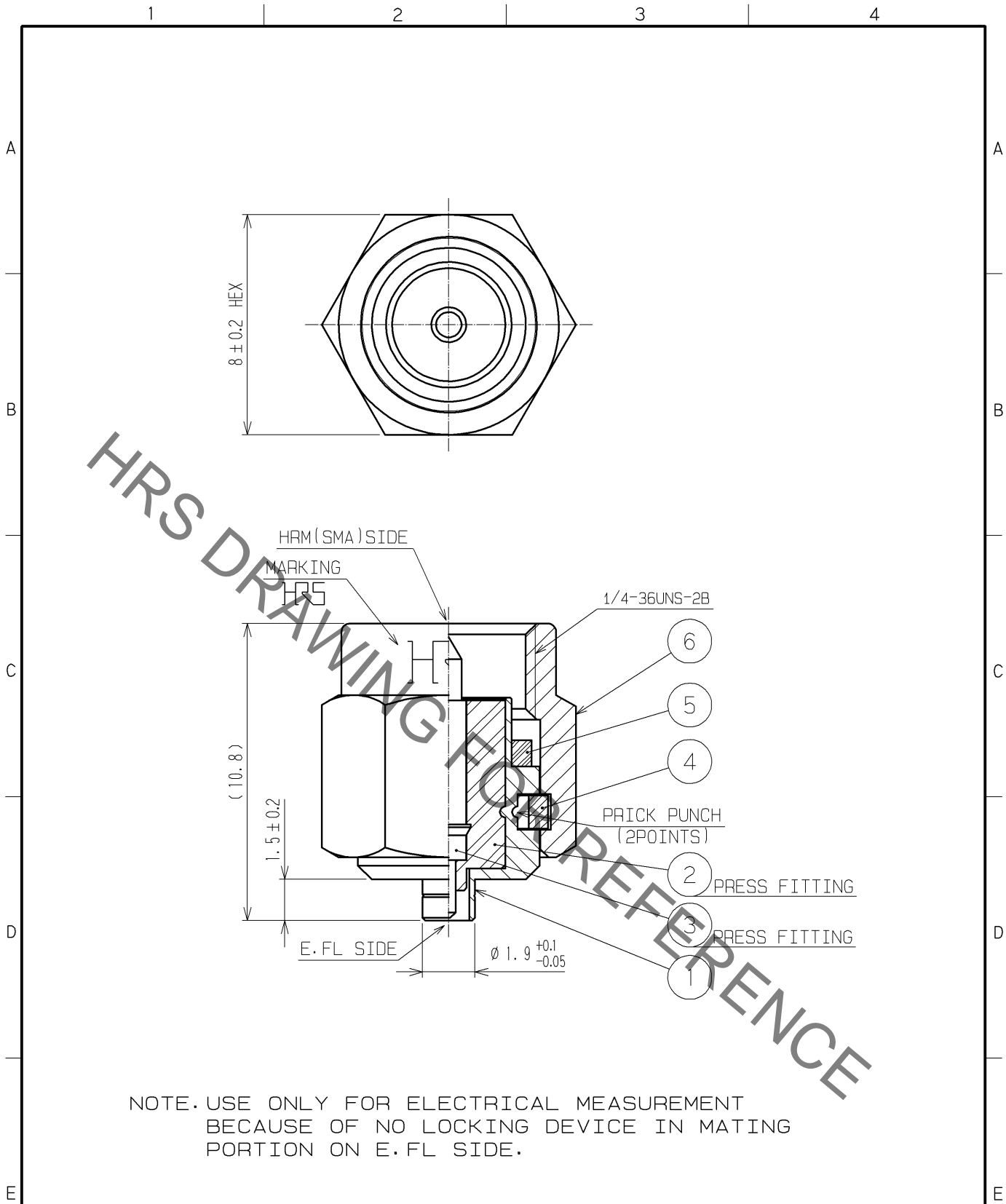


Sep.1.2021 Copyright 2021 HIROSE ELECTRIC CO., LTD. All Rights Reserved.
 In case of consideration for using Automotive equipment / device which demand high reliability, kindly contact our sales window correspondents.



NOTE. USE ONLY FOR ELECTRICAL MEASUREMENT
 BECAUSE OF NO LOCKING DEVICE IN MATING
 PORTION ON E. FL SIDE.

3	BRASS	GOLD PLATING	6	STAINLESS STEEL	PASSIVATE
2	PTFE		5	SILICONE RUBBER	(RED)
1	STAINLESS STEEL	NECKEL PLATING	4	BERYLLIUM COPPER	NICKEL PLATING
部番	材 質	处 理 , 備 考	部番	材 質	处 理 , 備 考

UNITS mm		SCALE 5 : 1		△の数	訂 正 記 事	設 計	検 図	年 月 日
HRS HIROSE ELECTRIC CO., LTD.		承 認 : IJ.MITANI 07.01.05	図 番 : EDC4-130516-40					
		検 図 : KY.SHIMIZU 06.12.28	製 品 名 : HRMP-E. FLJ (40)					
		設 計 : MT.KANEKO 06.12.28	製 品 コード : CL311-0279-8-40					
		製 図 : TS.KANEKO 06.12.27						

Mouser Electronics

Authorized Distributor

Click to View Pricing, Inventory, Delivery & Lifecycle Information:

[Hirose Electric:](#)

[HRMP-E.FLJ\(40\)](#)