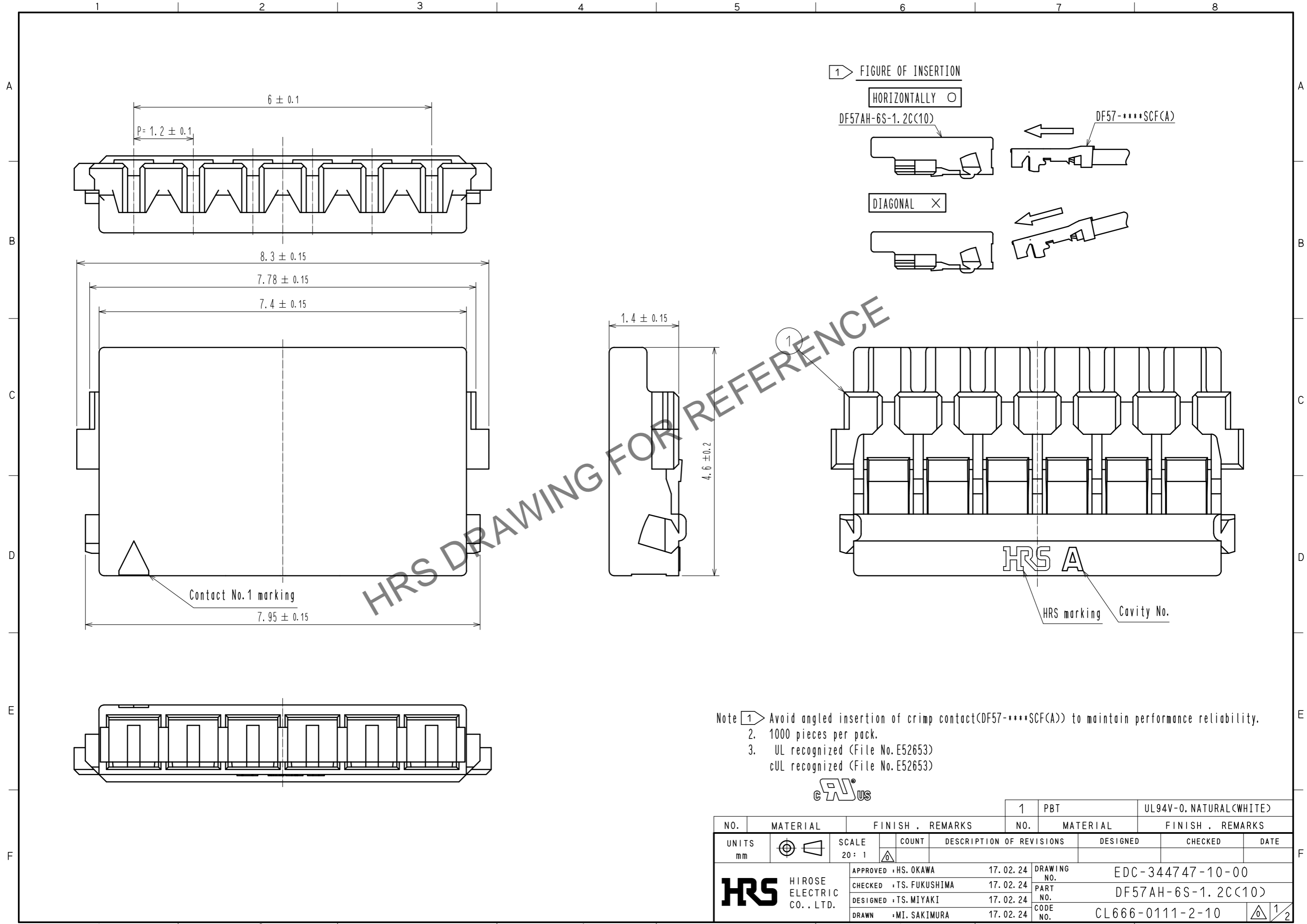


Apr.1.2025 Copyright 2025 HIROSE ELECTRIC CO., LTD. All Rights Reserved.  
 In case of consideration for using Automotive equipment / device which demand high reliability, kindly contact our sales window correspondents.



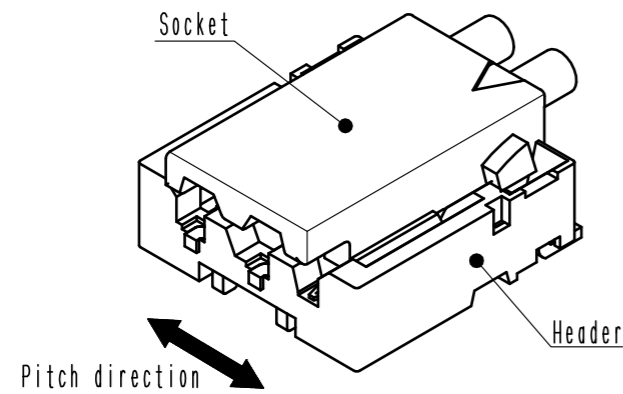
NO.	MATERIAL	FINISH . REMARKS	NO.	MATERIAL	FINISH . REMARKS
			1	PBT	UL94V-0. NATURAL(WHITE)
UNITS	mm	SCALE	DESCRIPTION OF REVISIONS		
		20:1	DESIGNED	CHECKED	DATE
APPROVED : HS. OKAWA			17.02.24	DRAWING NO. EDC-344747-10-00	
CHECKED : TS. FUKUSHIMA			17.02.24	PART NO. DF57AH-6S-1.2C(10)	
DESIGNED : TS. MIYAKI			17.02.24	CODE NO. CL666-0111-2-10	
DRAWN : MI. SAKIMURA			17.02.24		



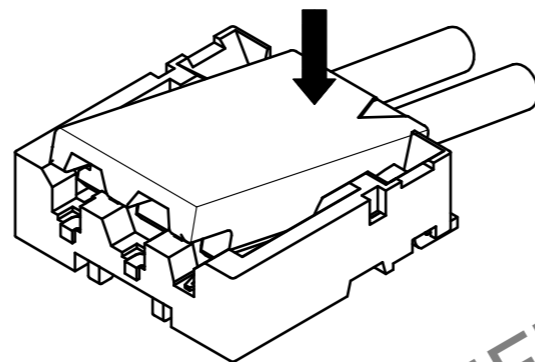
# DF57 Series Mating / Unmating Operation Instruction (For DF57 series)

## Mating

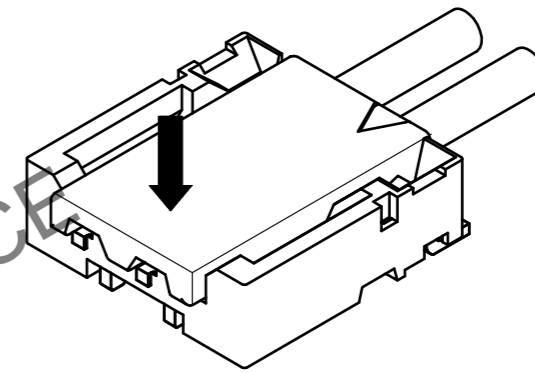
① By positioning the convexity of the socket sides to the header concavity, align the centers of the socket and the header in pitch direction.



② Slightly press the socket down at cable side to tilted angle.

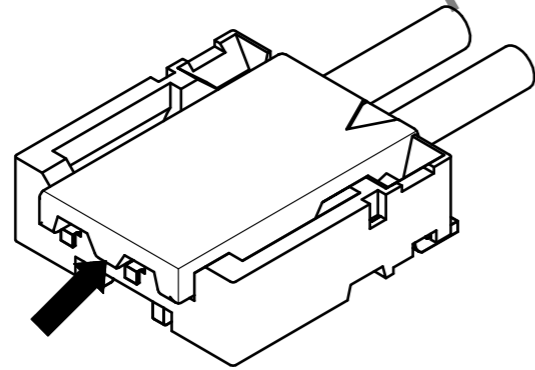


③ Press down at the lever side with stabilizing the cable side to insert. Mating completes.

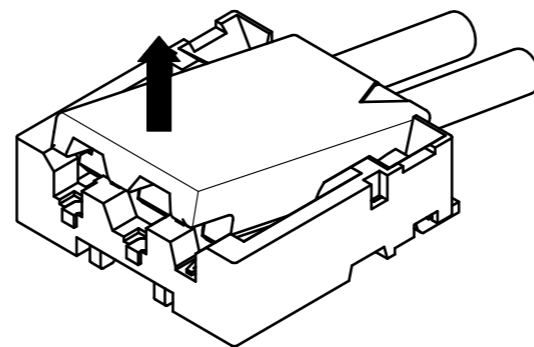


## Unmating

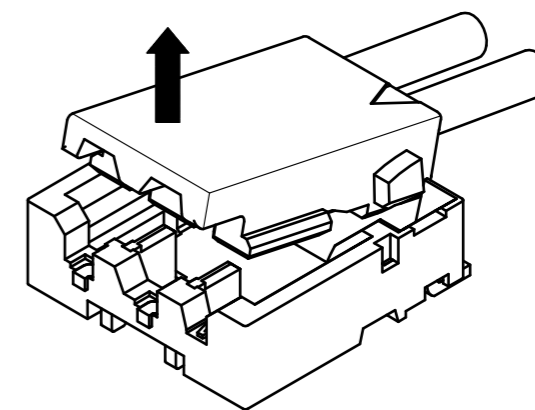
① Hook the lever with finger nail.



② Lift up to the upper direction and friction lock is released.



③ Lift up to the upper direction and positive lock is released. Removal completes.



HRS DRAWING FOR REFERENCE

<b>HRS</b>	DRAWING NO.	EDC-344747-10-00
	PART NO.	DF57AH-6S-1. 2C<10>
	CODE NO.	CL666-0111-2-10
		2/2

Apr.1.2025 Copyright 2025 HIROSE ELECTRIC CO., LTD. All Rights Reserved. In case of consideration for using Automotive equipment / device which demand high reliability, kindly contact our sales window correspondents.

# Mouser Electronics

Authorized Distributor

Click to View Pricing, Inventory, Delivery & Lifecycle Information:

[Hirose Electric:](#)

[DF57AH-6S-1.2C\(10\)](#)