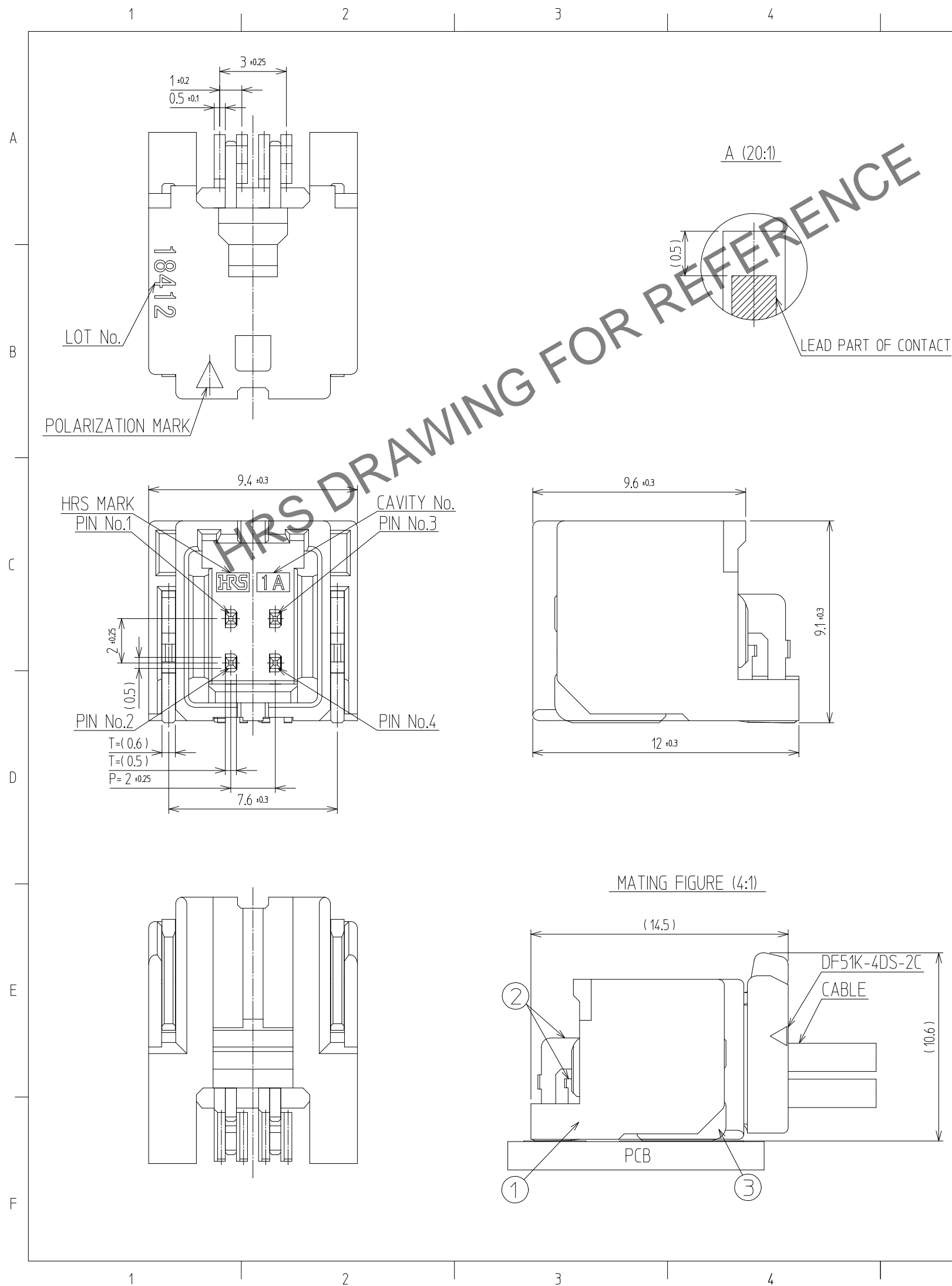
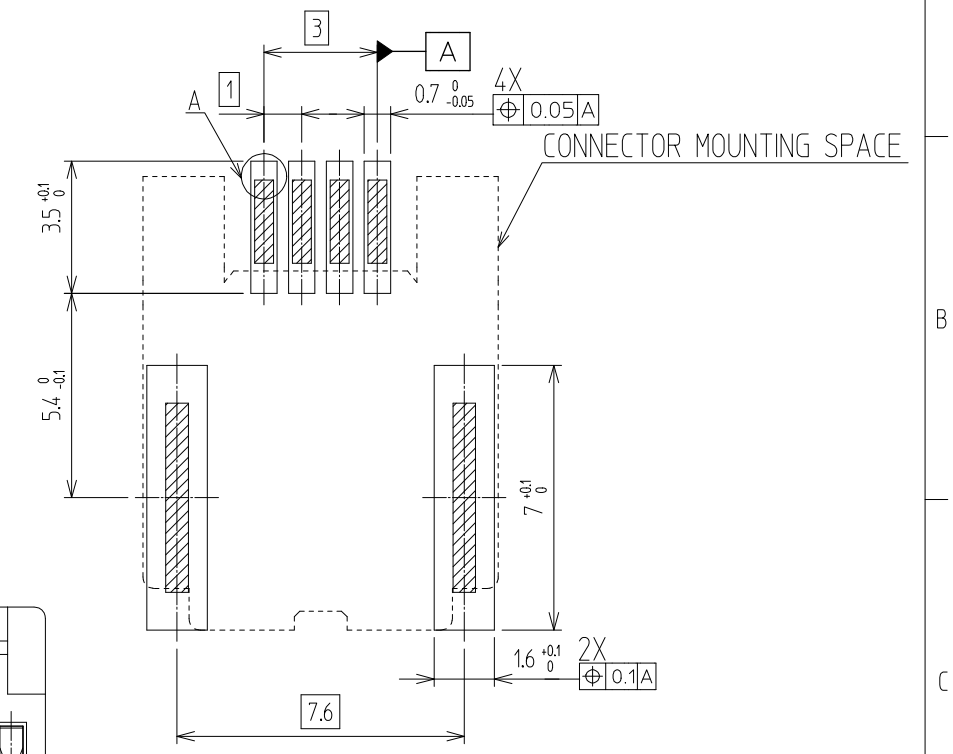


May 1.2024 Copyright 2024 HIROSE ELECTRIC CO., LTD. All Rights Reserved.
In case of consideration for using Automotive equipment / device which demand high reliability, kindly contact our sales window



△數 COUNT	訂正事項 DISCRIPTION OF REVISIONS	擔當 B	檢圖 CHKD	年月日 DATE	△數 COUNT	訂正事項 DISCRIPTION OF REVISIONS	擔當 B	檢圖 CHKD	年月日 DATE
△					△				
△					△				
△					△				

RECOMMENDED PCB LAYOUT(Top-View)



- NOTE
- SOLDERING TEMPERATURE : 250°C PEAK, 10sec MAX.
 - OPERATING TEMPERATURE : -55°~105°C
 - USED REFLOW SYSTEM : IN THE AIR OR NITROGEN
 - NO. OF CYCLES : 2 MAX
 - MATING PART
FEMALE : DF51K-4DS-2C
 - CO-PLANARITY : 0.12 MAX.
 - RECOMMENDED PCB THICKNESS IS 1.6mm.
 - RECOMMENDED SOLDER THICKNESS IS 0.15mm
 - UL(File No. E132750) AUTHORIZATION ARTICLE.
C-UL(File No. E132750) AUTHORIZATION ARTICLE.



3	BRASS	TIN PLATED : 1μm MIN UNDER PLATING : NICKEL 1μm MIN	7	PS	REEK BOBBIN
2	BRASS	TIN PLATED : 1μm MIN UNDER PLATING : NICKEL 1μm MIN	6	PET	COVER TAPE
1	LCP	BLACK	5	CONNECTOR	DF51K-4DP-2H
NO.	MATERIAL	FINISH,REMARKS	NO.	MATERIAL	FINISH,REMARKS
CODE NO. (OLD)			DRAWN	DESIGNED	CHECKED
			CHO 23.07.05 J.S	CHO 23.07.05 J.S	LIM 23.07.05 S.M
DRAWING NO. EDC3-633519			PART NO. DF51K-4DP-2H(800)		
SCALE 5:1 UNITS mm			CODE NO. CL 6652-0080-8-800		
HRS HIROSE KOREA CO.,LTD.			1/2		



Mouser Electronics

Authorized Distributor

Click to View Pricing, Inventory, Delivery & Lifecycle Information:

[Hirose Electric:](#)

[DF51K-4DP-2H\(800\)](#)