



## Product Specifications

Ratings	Current Rating	1A	Operating Temperature Range Operating Humidity Range	-35 to + 85°C (Note 1) 20 to 80%
	Voltage Rating	AC/DC 100V	Storage Temperature Range Storage Humidity Range	-10 to + 60°C (Note 2) 40 to 70% (Note 2)

Items	Specifications	Conditions
1. Insulation resistance	500MΩ min.	100V DC
2. Withstand voltage	No flashover or breakdown	300V AC/1min.
3. Contact resistance	30mΩ max.	20mV max., at 1 mA.
4. Vibration	No electrical discontinuity of 1μs or longer	Frequency 10-55 Hz, single amplitude of 0.75 mm 3 directions, 10 cycles in each direction.
5. Shock	No electrical discontinuity of 1μs or longer	Acceleration: 490m/s <sup>2</sup> for 11ms, half sine wave in 3 directions, 3 times for each direction
6. Humidity	Contact resistance: 50mΩ max. Insulation resistance: 100MΩ min.	Temperature: 40±2°C; humidity: 90 to 95%, left for 96 hours
7. Temperature cycles	Contact resistance: 50mΩ max. Insulation resistance: 500MΩ min.	(-55°C: 30 min. → 5 to 35°C: 2 to 3 min. → 85°C: 30 min. → 5 to 35°C: 2 to 3 min.) 5 cycles
8. Durability	Contact resistance: 50mΩ max.	30 times (Number of insertion and withdrawal)
9. Resistance to soldering heat	No deformation of components affecting performance.	Reflow: according to the recommended temperature profile Hand soldering: 350°C for 3 to 4 sec.

(Note 1) Including the temperature rise by current.

(Note 2) Apply to the condition of long term storage for unused products before PCB on board.

After PCB board, operating temperature and humidity range is applied for interim storage during transportation.

## Materials

Product	Part	Materials	Color / Treatment	UL Regulation
Pin header (on the board side)	Insulator	LCP	Black	UL94V-0
	Contact	Brass	Gold plating	—
	Metal fitting	Brass (Note 1)	Tin Plating	—
	Locking metal fitting (DF50)	Stainless steel	—	—
Crimp socket	Insulator	PBT	Black (DF50A) White (DF50S)	UL94V-0
Crimp contact	Contact	Phosphor Bronze	Gold plating	—

(Note 1) Phosphor bronze is applied a material for only to the single-row straight pin header.

## Product Number Structure

### ● Connector

DF 50 — \* DP — 1 V \*\*

① ② ③ ④ ⑤ ⑥ ⑦ ⑧

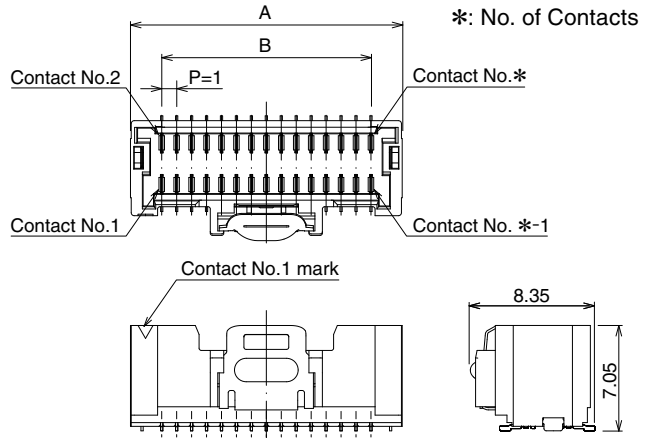
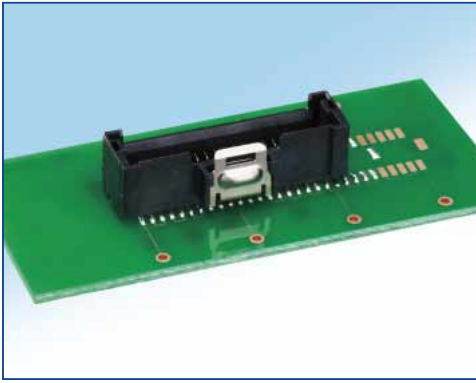
### ● Crimp contact

DF 50 — 2830 SCF A

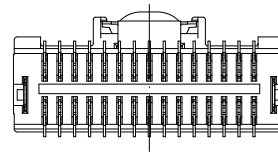
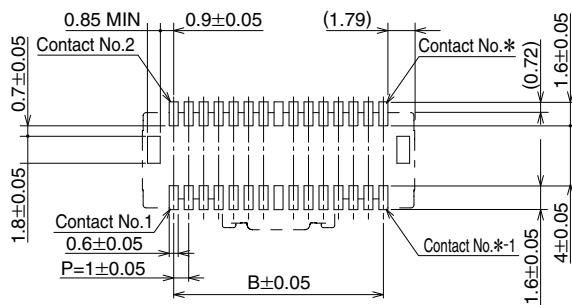
① ② ③ ④ ⑤ ⑥ ⑦ ⑧ ⑨ ⑩ ⑪

① Series Name: DF	⑦ Mounting style / Wiring type V: SMT Straight Type H: SMT Right Angle Type C: Crimp socket
② Series No.: 50	⑧ Specifications 51: SMT Embossed packaging 52: SMT Embossed packaging (with cap, DF50)
③ Form Type: Blank: Double-row pin header S: Double-row crimp socket A: Single-row	⑨ Applicable wire size 2830: AWG#28, 30 3032: AWG#30, 32 (Under development)
④ Number of contacts: 20, 30, 40, 50 (Double-row) : 2 to 16 (Single-row)	⑩ Packaging style SCF: Socket contact reel
⑤ Connector type DP: Double-row pin header DS: Double-row crimp socket P: Single-row pin header S: Single-row crimp socket	⑪ Plating specifications A: Gold plating
⑥ Contact Pitch: 1mm	

## Double-row straight pin header



## Recommended PCB Dimensions



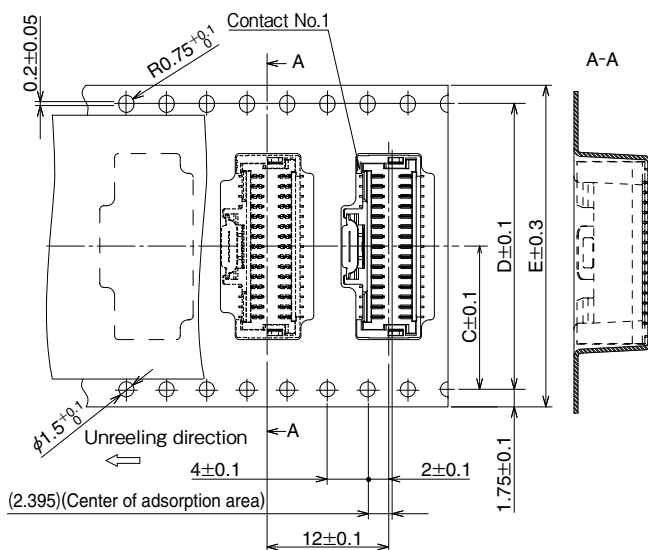
[Specification Number : \*\*, (\*\*) ]  
 (51): Gold plating, embossed packaging  
 (52): Gold plating, embossed packaging, with adsorption cap

Unit : mm

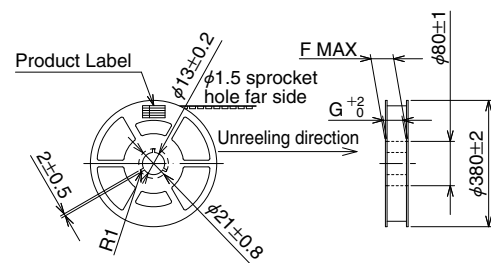
Part No.	HRS No.	No. of Contacts	A	B	C	D	E	F	G
DF50-20DP-1V (**)	665-0019-3 **	20	13.18	9	14.2	28.4	32	38.4	32.4
DF50-30DP-1V (**)	665-0001-8 **	30	18.18	14					
DF50-40DP-1V (**)	665-0005-9 **	40	23.18	19	20.2	40.4	44	50.4	44.4
DF50-50DP-1V (**)	665-0011-1 **	50	28.18	24					

(Note) Please place orders for embossed packaged products by the multiple of the number of reels. (1,000 pcs/reel)

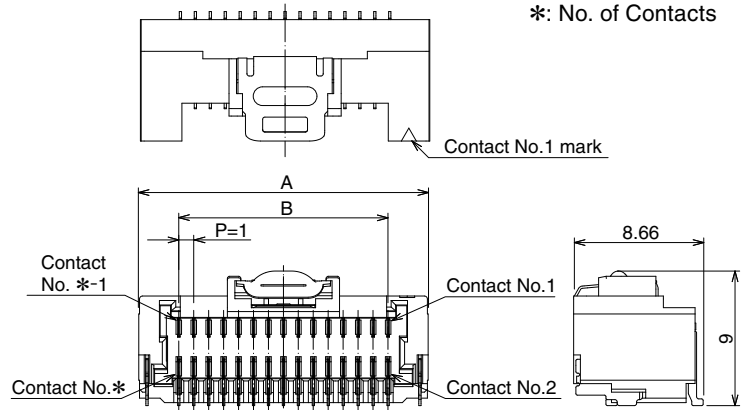
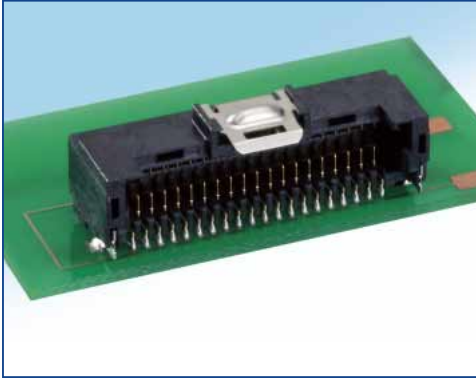
## Emboss tape dimensions (JIS C 0806 compliant)



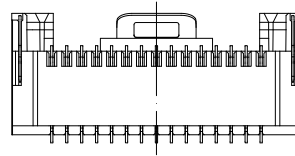
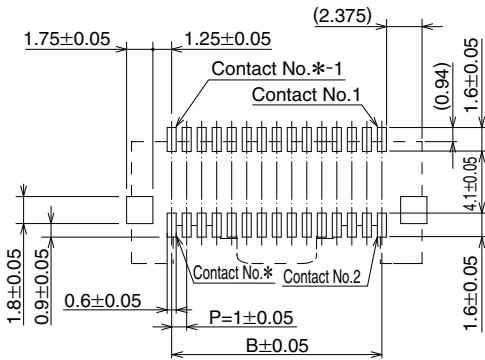
## Reel Condition Dimensions



## Double-row right angle pin header



## Recommended PCB Dimensions



[Specification Number: \*\*, (\*\*)]  
(51): Gold plating, embossed packaging

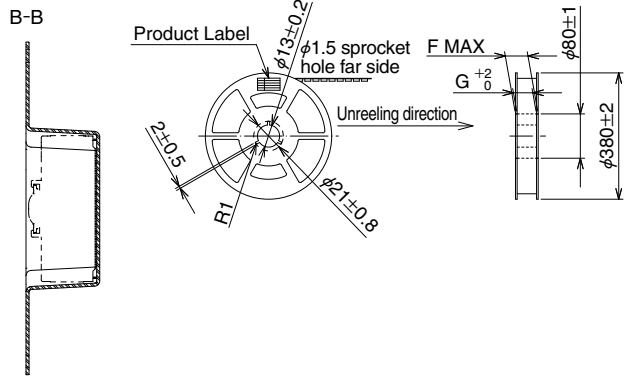
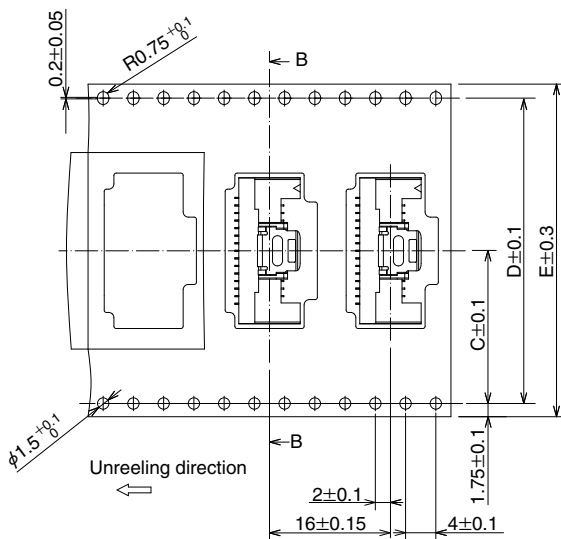
Unit : mm

Part No.	HRS No.	No. of Contacts	A	B	C	D	E	F	G
DF50-20DP-1H(**)	665-0016-5 **	20	14.35	9	14.2	28.4	32	38.4	32.4
DF50-30DP-1H(**)	665-0015-2 **	30	19.35	14	20.2	40.4	44	50.4	44.4
DF50-40DP-1H(**)	665-0014-0 **	40	24.35	19					
DF50-50DP-1H(**)	665-0013-7 **	50	29.35	24					

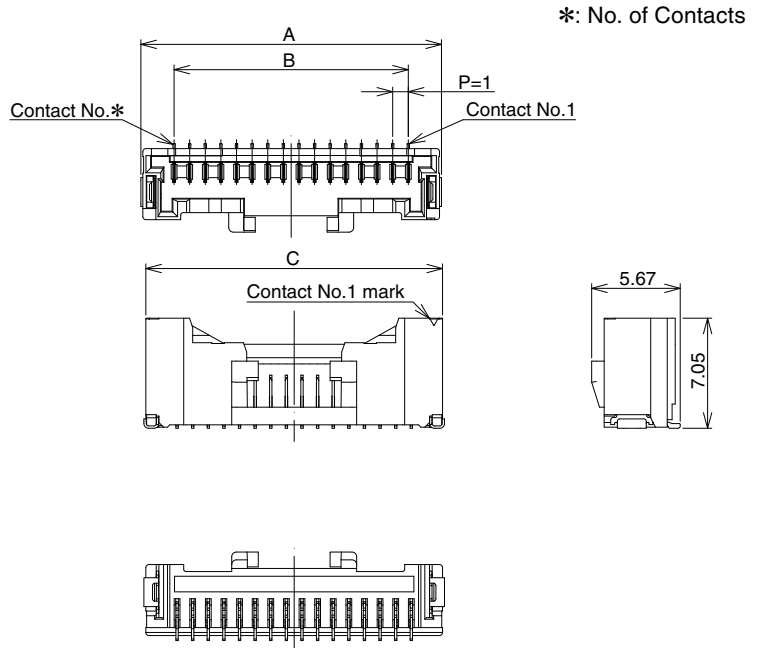
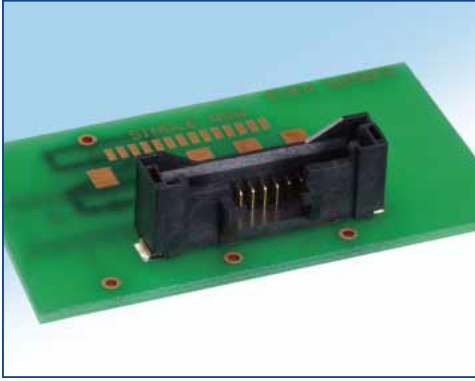
(Note) Please place orders for embossed packaged products by the multiple of the number of reels. (600 pcs/reel)

## Emboss tape dimensions (JIS C 0806 compliant)

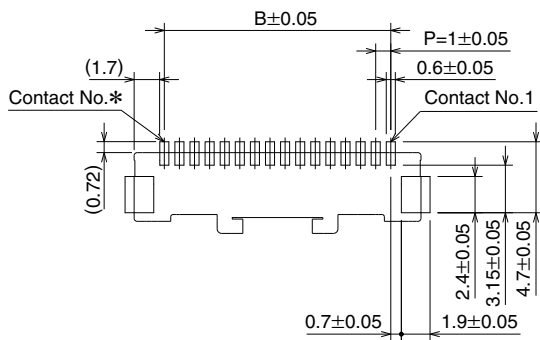
## Reel Condition Dimensions



## Single-row straight pin header



## Recommended PCB Dimensions



[Specification Number: \*\*, (\*\*) ]  
(51): Gold plating, embossed packaging

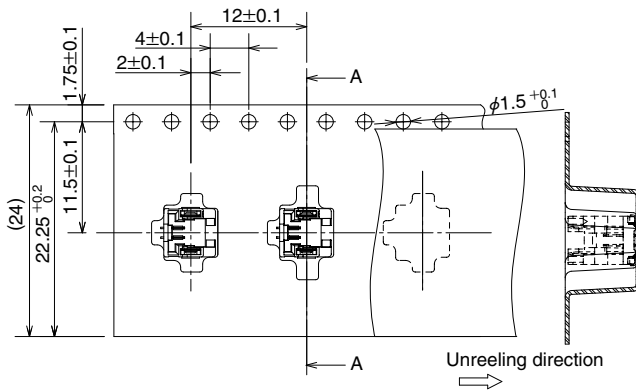
Unit : mm

Part No.	HRS No.	No. of Contacts	A	B	C
DF50A-2P-1V (**)	665-1001-3 **	2	5.25	1	5
DF50A-3P-1V (**)	665-1004-1 **	3	6.25	2	6
DF50A-4P-1V (**)	665-1006-7 **	4	7.25	3	7
DF50A-5P-1V (**)	665-1008-2 **	5	8.25	4	8
DF50A-6P-1V (**)	665-1010-4 **	6	9.25	5	9
DF50A-7P-1V (**)	665-1012-0 **	7	10.25	6	10
DF50A-8P-1V (**)	665-1014-5 **	8	11.25	7	11
DF50A-9P-1V (**)	665-1016-0 **	9	12.25	8	12
DF50A-10P-1V (**)	665-1017-3 **	10	13.25	9	13
DF50A-11P-1V (**)	665-1019-9 **	11	14.25	10	14
DF50A-12P-1V (**)	665-1021-0 **	12	15.25	11	15
DF50A-13P-1V (**)	665-1023-6 **	13	16.25	12	16
DF50A-14P-1V (**)	665-1025-1 **	14	17.25	13	17
DF50A-15P-1V (**)	665-1027-7 **	15	18.25	14	18
DF50A-16P-1V (**)	665-1029-2 **	16	19.25	15	19

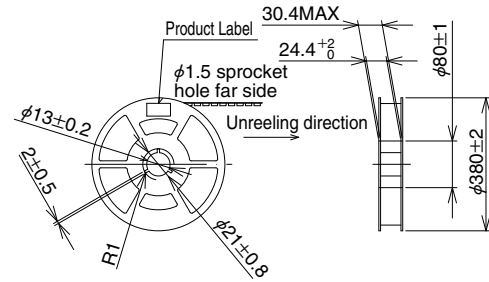
(Note) Please place orders for embossed packaged products by the multiple of the number of reels. (1,000 pcs/reel)

◆ Emboss tape dimensions (JIS C 0806 compliant)

● DF50A-2P-1V to DF50A-8P-1V (Number of contacts: 2 to 8)

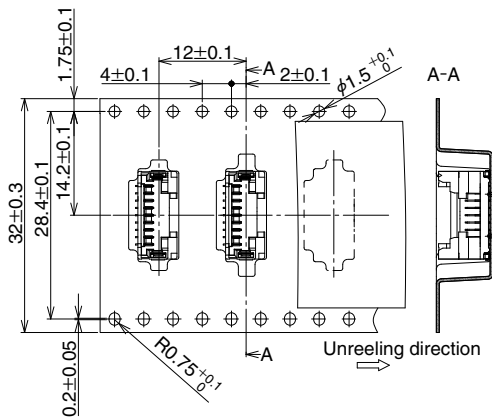


◆ Reel Condition Dimensions

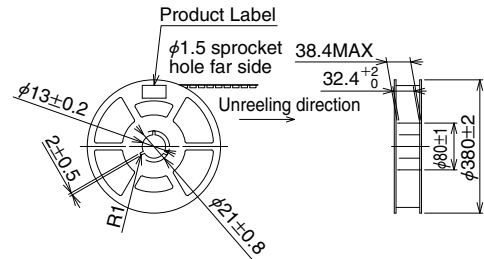


◆ Emboss tape dimensions (JIS C 0806 compliant)

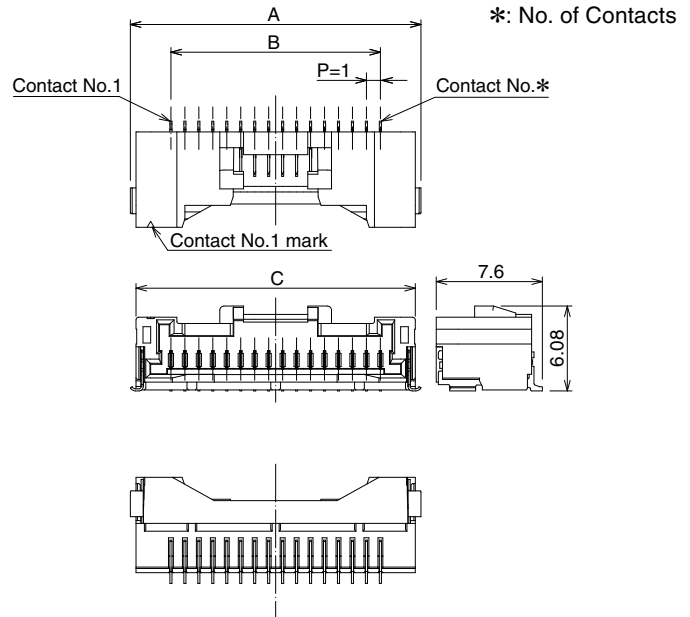
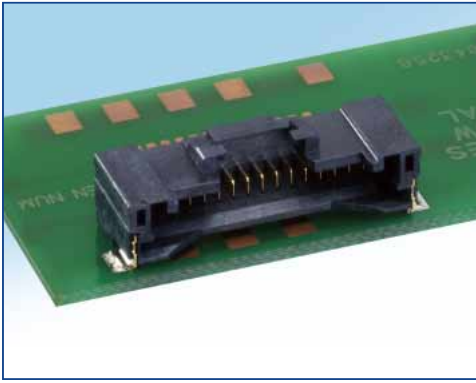
● DF50A-9P-1V to DF50A-16P-1V (Number of contacts: 9 to 16)



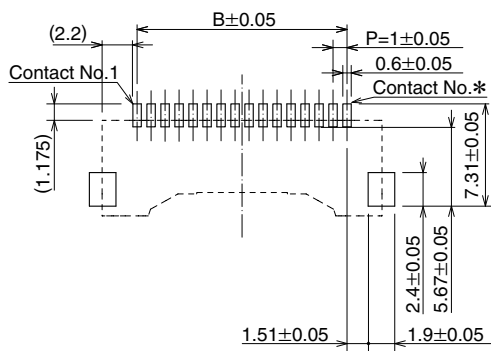
◆ Reel Condition Dimensions



## Single-row right angle pin header



## Recommended PCB Dimensions



[Specification Number: \*\*, (\*\*) ]  
(51): Gold plating, embossed packaging

Unit : mm

Part No.	HRS No.	No. of Contacts	A	B	C
DF50A-2P-1H (**)	665-1031-4 **	2	6.81	1	6
DF50A-3P-1H (**)	665-1032-7 **	3	7.81	2	7
DF50A-4P-1H (**)	665-1033-0 **	4	8.81	3	8
DF50A-5P-1H (**)	665-1034-2 **	5	9.81	4	9
DF50A-6P-1H (**)	665-1035-5 **	6	10.81	5	10
DF50A-8P-1H (**)	665-1037-0 **	8	12.81	7	12
DF50A-10P-1H (**)	665-1039-6 **	10	14.81	9	14
DF50A-12P-1H (**)	665-1041-8 **	12	16.81	11	16
DF50A-16P-1H (**)	665-1045-9 **	16	20.81	15	20

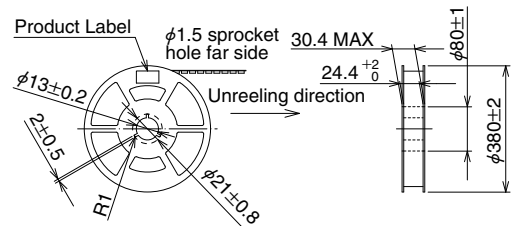
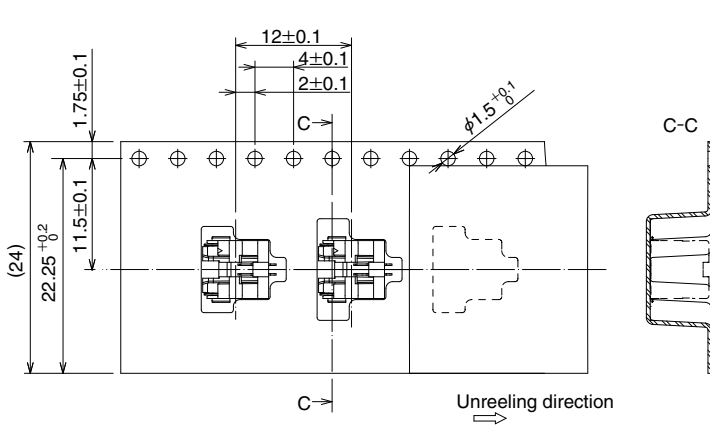
(Note) Please place orders for embossed packaged products by the multiple of the number of reels. (1,000 pcs/reel)



**◆ Emboss tape dimensions (JIS C 0806 compliant)**

**◆ Reel Condition Dimensions**

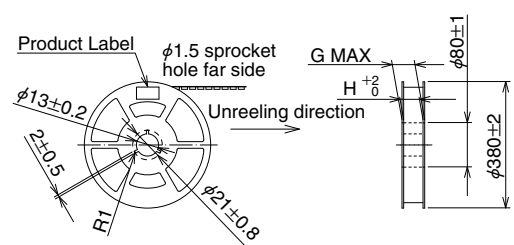
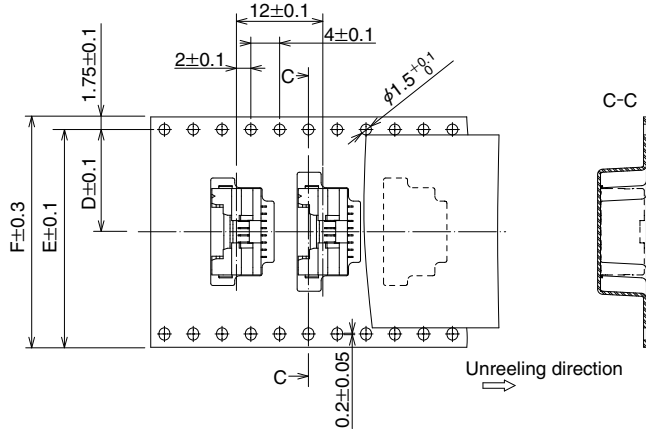
● DF50A-2P-1H to DF50A-6P-1H (Number of contacts : 2 to 6)



**◆ Emboss tape dimensions (JIS C 0806 compliant)**

**◆ Reel Condition Dimensions**

● DF50A-8P-1H to DF50A-16P-1H (Number of contacts : 8 to 16)



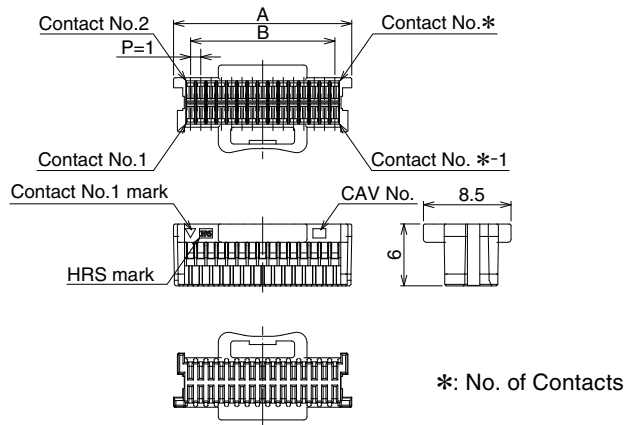
Unit : mm

Part No.	HRS No.	No. of Contacts	D	E	F	G	H
DF50A-8P-1H (**)	665-1037-0 (**)	8	14.2	28.4	32	38.4	32.4
DF50A-10P-1H (**)	665-1039-6 (**)	10					
DF50A-12P-1H (**)	665-1041-8 (**)	12					
DF50A-16P-1H (**)	665-1045-9 (**)	16	20.2	40.4	44	50.4	44.4

(Note) Please place orders for embossed packaged products by the multiple of the number of reels. (1,000 pcs/reel)



## Double-row crimp socket

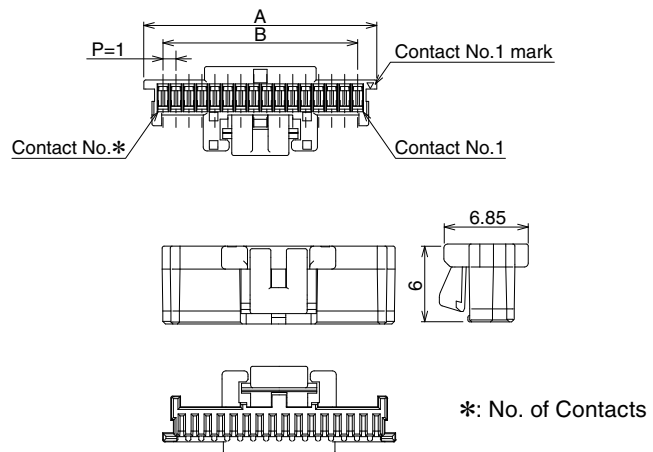


Unit : mm

Part No.	HRS No.	No. of Contacts	A	B
DF50S-20DS-1C	665-0020-2 00	20	12.28	9
DF50S-30DS-1C	665-0021-5 00	30	17.28	14
DF50S-40DS-1C	665-0022-8 00	40	22.28	19
DF50S-50DS-1C	665-0012-4 00	50	27.28	24

(Note) Sold in 100 pcs/pack.

## Single-row crimp socket

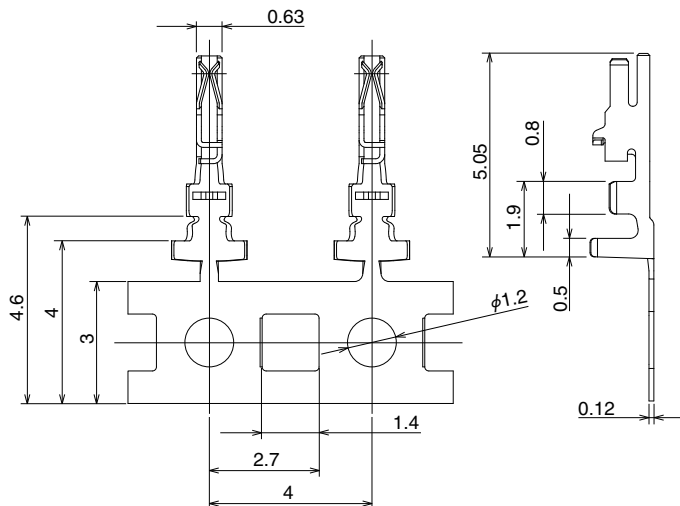


Unit : mm

Part No.	HRS No.	No. of Contacts	A	B
DF50A-2S-1C	665-1002-6 00	2	3.95	1
DF50A-3S-1C	665-1005-4 00	3	4.95	2
DF50A-4S-1C	665-1007-0 00	4	5.95	3
DF50A-5S-1C	665-1009-5 00	5	6.95	4
DF50A-6S-1C	665-1011-7 00	6	7.95	5
DF50A-7S-1C	665-1013-2 00	7	8.95	6
DF50A-8S-1C	665-1015-8 00	8	9.95	7
DF50A-9S-1C	665-1100-5 00	9	10.95	8
DF50A-10S-1C	665-1018-6 00	10	11.95	9
DF50A-11S-1C	665-1020-8 00	11	12.95	10
DF50A-12S-1C	665-1022-3 00	12	13.95	11
DF50A-13S-1C	665-1024-9 00	13	14.95	12
DF50A-14S-1C	665-1026-4 00	14	15.95	13
DF50A-15S-1C	665-1028-0 00	15	16.95	14
DF50A-16S-1C	665-1030-1 00	16	17.95	15

(Note) Sold in 100 pcs/pack.

## ■ Crimp contact



Part No.	HRS No.	Type	Quantity	Treatment
DF50-2830SCFA	665-0002-0 00	Reel contact	30,000 pcs/reel	Gold plating
DF50K-2830SCFA	665-0017-8 00			
DF50-3032SCFA	Under development	—	—	—

(Note) As this product is sold 30,000 pcs/reel, please place orders by the multiple of the number of reels.

## ● Applicable wire (Tinned Annealed Copper Wire)

Part No.	HRS No.	Recommended wire		
		Cable name	Conductor size (Core structure)	Diameter of the wire
DF50-2830SCFA	665-0002-0 00	UL1061	AWG#28 (7 / $\phi 0.127\text{mm}$ )	$\phi 0.8$ to 0.9mm
			AWG#30 (7 / $\phi 0.102\text{mm}$ )	
DF50K-2830SCFA	665-0017-8 00	UL1571	AWG#28 (7 / $\phi 0.13\text{mm}$ )	$\phi 0.58\text{mm}$

● Strip length  
1.3 to 1.7mm

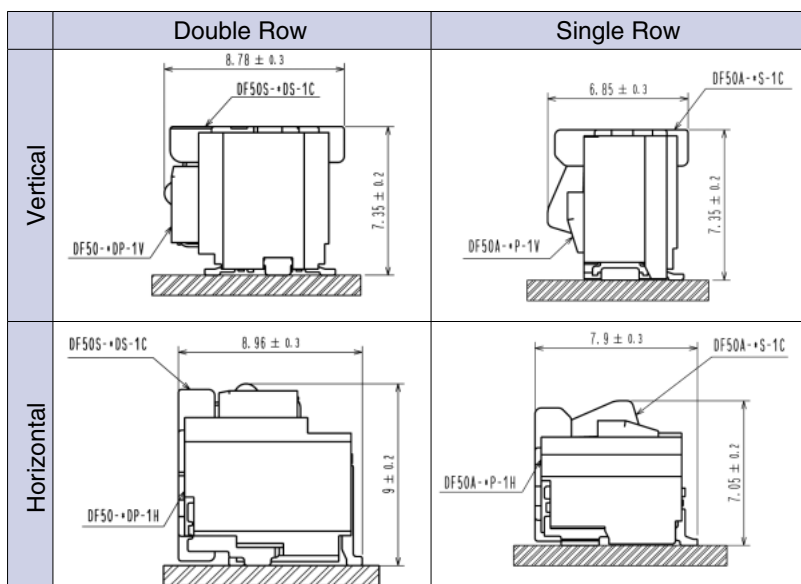
(Note) Please contact our Sales Department when you are using wires other than applicable wires.

## ◆ Applicable crimping tool

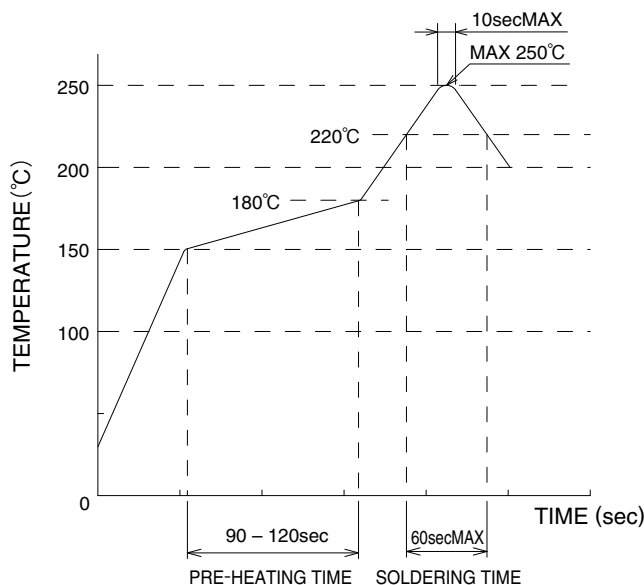
Type	Part No.	HRS No.	Applicable contact
Applicator	AP105-DF50-2830S	901-4616-0	DF50-2830SCFA
Press body	CM-105	901-0005-4	—
Hand tool	HT305/DF50-2830HC	902-4634-8	DF50-2830SCFA
Contact pull-out tool	DF-C-PO(B)	550-0179-2	

(Note) Problems caused by tools other than our specified ones are out of warranty events.

## ◆ Application Pattern



## ◆ Precautions

<p>1. Recommended Temperature Profile (Compatible with lead-free soldering)</p>	 <p>The graph shows Temperature (°C) on the y-axis (0 to 250) and Time (sec) on the x-axis. The profile starts at 0°C, rises to 150°C, then to 180°C (labeled 'PRE-HEATING TIME' with a duration of 90-120sec). It then rises to 220°C, and finally to a peak of 250°C (labeled 'MAX 250°C' with a duration of 10sec MAX). After the peak, it cools down to 200°C (labeled 'SOLDERING TIME' with a duration of 60sec MAX).</p> <p>[Applicable Conditions]</p> <ol style="list-style-type: none"> <li>1. Peak temperature: a maximum of 250°C for no more than 10 seconds</li> <li>2. Heating unit: no less than 220°C for no more than 60 seconds</li> <li>3. Preheating unit: 150 to 180°C for 90 to 120 seconds</li> <li>4. Number of times: no more than 2 times</li> </ol> <p>* Measurement is conducted at the contact lead part As it may change depending on the conditions such as solder paste types, manufacturers, PCB size, and other soldering materials, please fully check the mounting conditions before use.</p> <p>(Note 1) This temperature profile is a recommended value.</p>
<p>2. Recommended hand soldering conditions</p>	<p>Temperature of soldering iron: 350±10°C, soldering time: 3 to 4 seconds</p>
<p>3. Recommended screen thickness and aperture ratio (Pattern surface ratio)</p>	<p>Thickness: 0.1mm, aperture ratio: 100%</p>
<p>4. Warpage of the Board</p>	<p>A maximum of 0.02mm at the center of connector, as measured from either end of the connector</p>
<p>5. Cleaning Conditions</p>	<p>IPA cleaning is allowed. (Cleaning is not recommended because cleaning may change the push/pull feeling etc. Please contact us when you use other cleaning agents. )</p>
<p>6. Precautions</p>	<ul style="list-style-type: none"> <li>▪ When inserting a crimp contact into a crimp socket, do not insert it at a slanted angle in order to maintain the reliability of its performance.</li> <li>▪ Please refrain from pushing/pulling operation when the PCB is not mounted. It may cause breakage, contact deformation, etc.</li> <li>▪ Please refrain from pushing/pulling operation with wires in your hand. It may cause damage.</li> <li>▪ During hand soldering, do not apply flux which will cause flux oozing on connector.</li> <li>▪ This product may have a little difference in its molded color depending on the production lot, but the difference doesn't have any influence on the performance.</li> <li>▪ Please refer to the operation manual for more information.</li> <li>▪ Please refer to the documents "Cable assembly procedure", "Crimp condition" and "Crimp quality standards" for the cable assembly procedure.</li> </ul>

**USA:**

**HIROSE ELECTRIC (U.S.A.), INC. Headquarters**  
 2688 Westhills Court, Simi Valley, CA 93065-6235  
 Phone : +1-805-522-7958  
 Fax : +1-805-522-3217  
<http://www.hiroseusa.com>

**USA:**

**HIROSE ELECTRIC (U.S.A.), INC. San Jose Office**  
 3255 Scott Boulevard, Building 7, Suite 101  
 Santa Clara, CA 95054  
 Phone : +1-408-253-9640  
 Fax : +1-408-253-9641  
<http://www.hiroseusa.com>

**USA:**

**HIROSE ELECTRIC (U.S.A.), INC. Detroit Office (Automotive)**  
 37677 Professional Center Drive, Suite #100C  
 Livonia, MI 48154  
 Phone : +1-734-542-9963  
 Fax : +1-734-542-9964  
<http://www.hiroseusa.com>

**THE NETHERLANDS:**

**HIROSE ELECTRIC EUROPE B.V.**  
 Hogehillweg #8 1101 CC Amsterdam Z-O  
 Phone : +31-20-6557460  
 Fax : +31-20-6557469  
<http://www.hiroseeurope.com>

**GERMANY:**

**HIROSE ELECTRIC EUROPE B.V. German Branch**  
 Herzog-Carl-Strasse 4 D-73760 Ostfildern  
 (Scharnhauser Park)  
 Phone : +49-711-4560-02-1  
 Fax : +49-711-4560-02-299  
<http://www.hirose.de>

**GERMANY:**

**HIROSE ELECTRIC EUROPE B.V. Nuernberg Office**  
 Muggenhofer Str. 136 90429 Nuernberg  
 Phone : +49-911 32 68 89 63  
 Fax : +49-911 32 68 89 69  
<http://www.hirose.de>

**UNITED KINGDOM:**

**Hirose Electric Europe BV (UK Branch)**  
 4 Newton Court, Kelvin Drive, Knowlhill,  
 Milton Keynes, MK5 8NH  
 Phone : +44-1908 202050  
 Fax : +44-1908 202058

**CHINA:**

**HIROSE ELECTRIC (SHANGHAI) CO., LTD.**  
 1601, Henderson Metropolitan, NO.300, East Nanjing  
 Road, Huangpu District, Shanghai, China 200001  
 Phone : +86-21-6391-3355  
 Fax : +86-21-6391-3335  
<http://www.hirose-china.com.cn>

**CHINA:**

**HIROSE ELECTRIC (SHANGHAI) CO.,LTD. BEIJING BRANCH**  
 A1001, Ocean International Center, Building 56# East 4th  
 Ring Middle Road, ChaoYang District, Beijing, 100025  
 Phone : +86-10-5165-9332  
 Fax : +86-10-5908-1381  
<http://www.hirose-china.com.cn>

**CHINA:**

**HIROSE ELECTRIC TECHNOLOGIES (SHENZHEN) CO., LTD.**  
 Room 09-13, 19/F, Office Tower Shun Hing Square, Di Wang Commercial Centre,  
 5002 Shen Nan Dong Road, Shenzhen City, Guangdong Province, 518008  
 Phone : +86-755-8207-0851  
 Fax : +86-755-8207-0873  
<http://www.hirose-china.com.cn>

**HONG KONG:**

**HIROSE ELECTRIC HONGKONG TRADING CO., LTD.**  
 Room 1001, West Wing, Tsim Sha Tsui Centre, 66  
 Mody Road, Tsim Sha Tsui East, Kowloon, Hong Kong  
 Phone : +852-2803-5338  
 Fax : +852-2591-6560  
<http://www.hirose-hongkong.com.hk>

**TAIWAN:**

**HIROSE ELECTRIC TAIWAN CO., LTD.**  
 103 8F, No.87, Zhengzhou Rd., Taipei  
 Phone : +886-2-2555-7377  
 Fax : +886-2-2555-7350  
<http://www.hirose-taiwan.com.tw>

**KOREA:**

**HIROSE KOREA CO., LTD.**  
 1261-10, Jeoungwhang-Dong, Shihung-City,  
 Kyunggi-Do 429-450  
 Phone : +82-31-496-7000,7124  
 Fax : +82-31-496-7100  
<http://www.hirose.co.kr>

**SINGAPORE:**

**HIROSE ELECTRIC SINGAPORE PTE. LTD.**  
 10 Anson Road #26-1, International Plaza  
 079903, Singapore  
 Phone : +65-6324-6113  
 Fax : +65-6324-6123  
<http://www.hirose-singapore.com.sg>

**INDIA:**

**HIROSE ELECTRIC SINGAPORE PTE. LTD Delhi Liaison Office**  
 Suite No. 606 5th Floor SB Tower 1A/1 Sector  
 16 A Filmcity Noida 201301 Uttar Pradesh-India  
 Phone : +91-120-4804917  
 Fax : +91-120-4804949  
<http://www.hirose.com/sg/>

**INDIA:**

**HIROSE ELECTRIC SINGAPORE PTE. LTD. Bangalore Liaison office**  
 Unit No.03, Ground Floor, Explorer Building International Tech  
 Park Whitefield Road, Bangalore 560066 Karnataka, India  
 Phone : +91-80-4120 1907  
 Fax : +91-80-4120 9908  
<http://www.hirose-singapore.com.sg>

**MALAYSIA:**

**HIROSE ELECTRIC SINGAPORE PTE. LTD (Representative office)**  
 1-10-07, Suntech @ Penang Cybercity (1164),Lintang  
 Mayang Pasir 3,11950, Bayan Baru, Penang, Malaysia.  
 Phone : +604-619-2564  
 Fax : +604-619-2574  
<http://www.hirose.com/sg/>



**HIROSE ELECTRIC CO.,LTD.**

2-6-3,Nakagawa Chuoh,Tsuzuki-Ku,Yokohama-Shi 224-8540,JAPAN  
 TEL: +81-45-620-3526 Fax: +81-45-591-3726  
<http://www.hirose.com>  
<http://www.hirose-connectors.com>

# Mouser Electronics

Authorized Distributor

Click to View Pricing, Inventory, Delivery & Lifecycle Information:

[Hirose Electric:](#)

[HT305/DF50-2830HC](#) [DF50K-2830SCFA\(79\)](#)