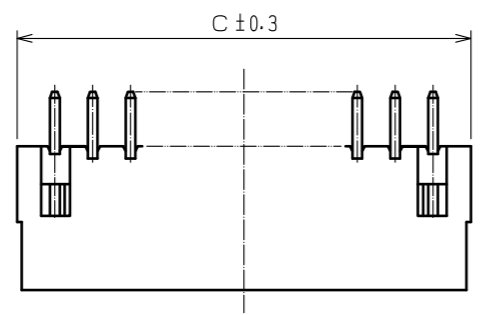
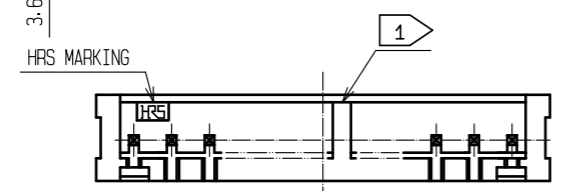
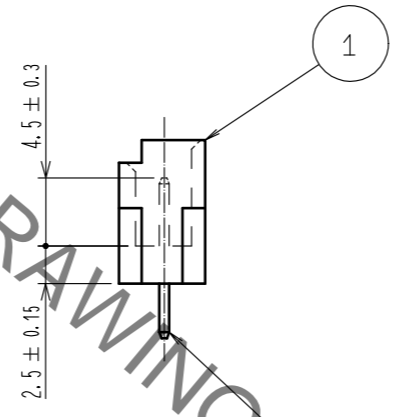
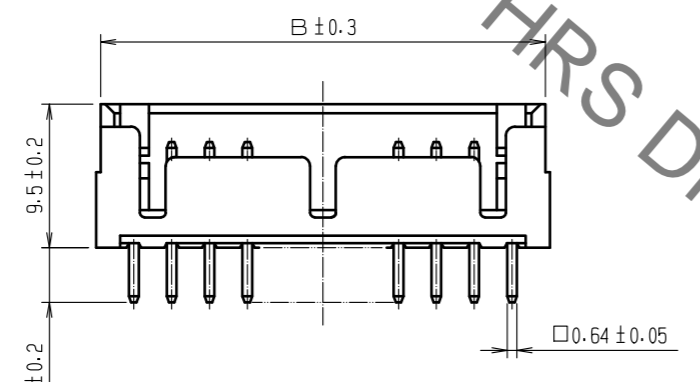
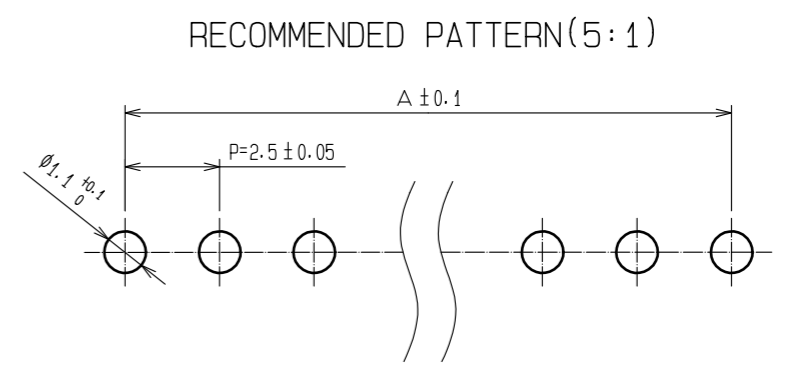
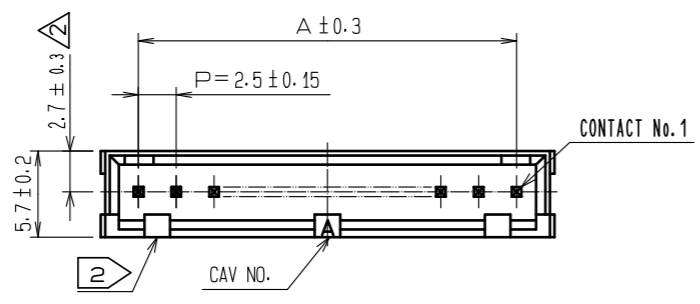


May.1.2021 Copyright 2021 HIROSE ELECTRIC CO., LTD. All Rights Reserved.
In case of consideration for using Automotive equipment / device which demand high reliability, kindly contact our sales window correspondents.



PART NO.	CODE NO.	CONTACT NO.	A	B	C
DF1BZ- 2P-2.5DSA	CL541-2000-8	2	2.5	6.9	7.5
DF1BZ- 3P-2.5DSA	CL541-2001-0	3	5.0	9.4	10.0
DF1BZ- 4P-2.5DSA	CL541-2002-3	4	7.5	11.9	12.5
DF1BZ- 5P-2.5DSA	CL541-2003-6	5	10.0	14.4	15.0
DF1BZ- 6P-2.5DSA	CL541-2004-9	6	12.5	16.9	17.5
DF1BZ- 7P-2.5DSA	CL541-2005-1	7	15.0	19.4	20.0
DF1BZ- 8P-2.5DSA	CL541-2006-4	8	17.5	21.9	22.5
DF1BZ- 9P-2.5DSA	CL541-2007-7	9	20.0	24.4	25.0
DF1BZ-10P-2.5DSA	CL541-2008-0	10	22.5	26.9	27.5
DF1BZ-11P-2.5DSA	CL541-2009-2	11	25.0	29.4	30.0
DF1BZ-12P-2.5DSA	CL541-2010-1	12	27.5	31.9	32.5
DF1BZ-13P-2.5DSA	CL541-2011-4	13	30.0	34.4	35.0
DF1BZ-14P-2.5DSA	CL541-2012-7	14	32.5	36.9	37.5
DF1BZ-15P-2.5DSA	CL541-2013-0	15	35.0	39.4	40.0
DF1BZ-16P-2.5DSA	CL541-2014-2	16	37.5	41.9	42.5
DF1BZ-18P-2.5DSA	CL541-2015-5	18	42.5	46.9	47.5
DF1BZ-20P-2.5DSA	CL541-2016-8	20	47.5	51.9	52.5

NOTES 1: WHEN THE NUMBERS OF CONTACTS IS ODD.
THE STAND-OFF SHIFTS 1.25 RIGHTWARD.
(STAND-OFF AVAILABLE FROM 4 POSITIONS UP.)
2: 2 POSITIONS AND 3 POSITIONS HEADERS HAVE 1 POLARIZING SLOT AT CENTER.
TO 6 POSITIONS FROM 4 POSITIONS HAVE 2 POLARIZING SLOTS.
OTHER POSITIONS HAVE 3 POLARIZING SLOTS AS PER DRAWING.

1	POLYAMIDE	UL94V-0, NATURAL(WHITE)	2	BRASS	SURFACE:TIN PLATED 1μm min UNDER PLATING:NICKEL PLATED 0.5μm min		
NO.	MATERIAL	FINISH . REMARKS	NO.	MATERIAL	FINISH . REMARKS		
UNITS mm		SCALE 5 : 1	COUNT 1	DESCRIPTION OF REVISIONS DIS-H-00004291	DESIGNED TS. KUMAZAWA	CHECKED SZ. ONO	DATE 20181003
HRS HIROSE ELECTRIC CO., LTD.		APPROVED : KJ. KATAYOSE	20050105	DRAWING NO. EDC3-303206-01			
		CHECED : TY. OMA	20050105	PART NO. DF1BZ-*P-2.5DSA			
		DESIGNED : TS. KUMAZAWA	20050105	CODE NO. CL541-			
		DRAWN : TS. KUMAZAWA	20050105			1/1	

Mouser Electronics

Authorized Distributor

Click to View Pricing, Inventory, Delivery & Lifecycle Information:

[Hirose Electric:](#)

[DF1BZ-20P-2.5DSA](#)