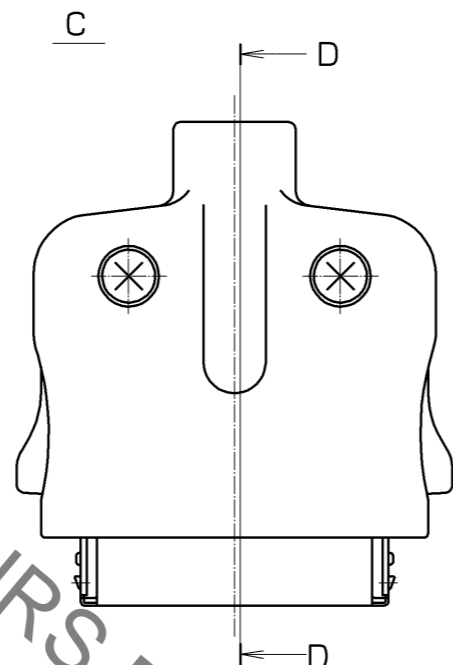
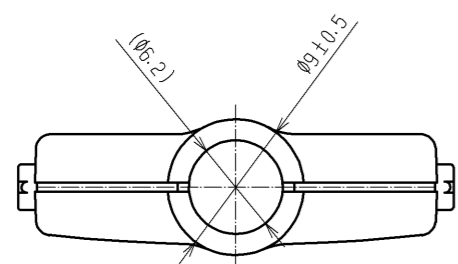
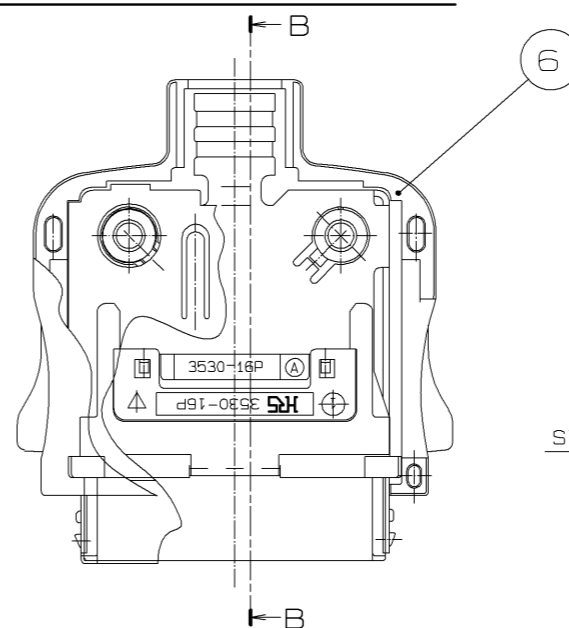


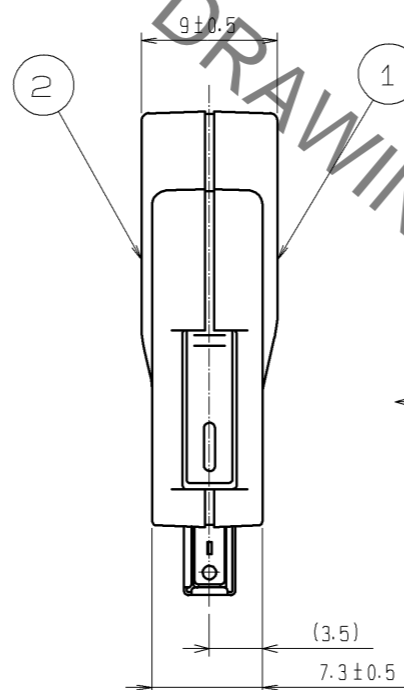
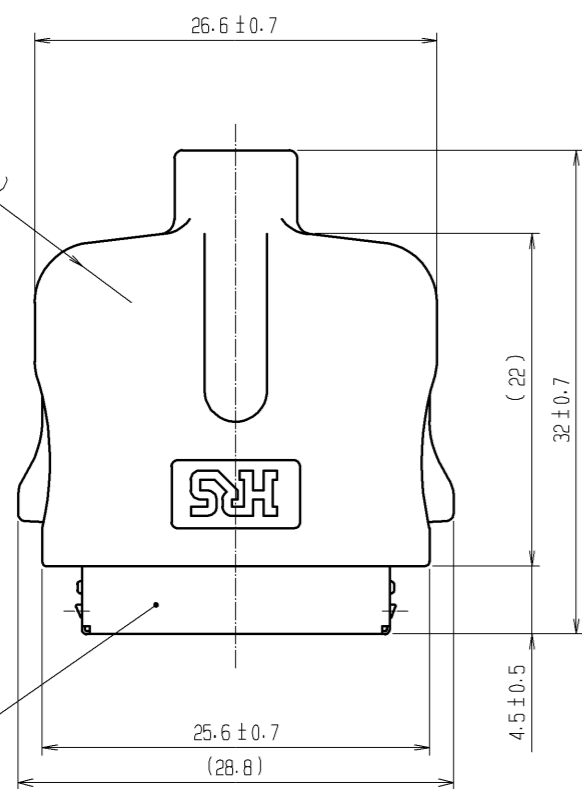
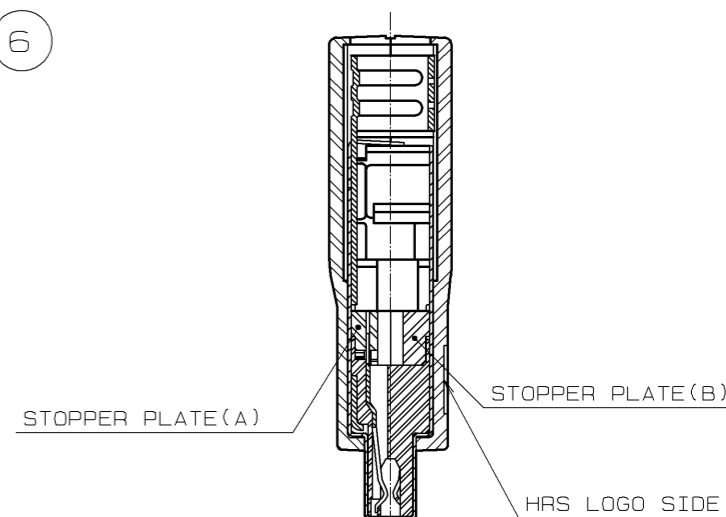
Sep.1.2020 Copyright 2020 HIROSE ELECTRIC CO., LTD. All Rights Reserved.
In case of consideration for using Automotive equipment / device which demand high reliability, kindly contact our sales window correspondents.



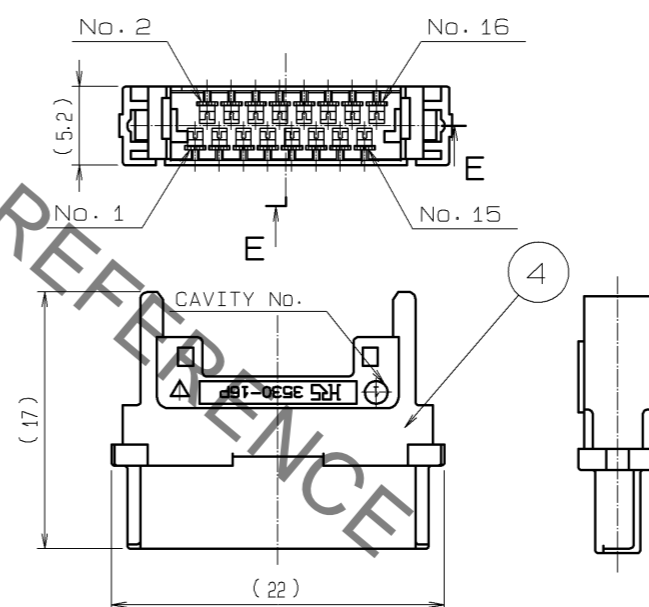
CONSTRUCTION (REFERENCE)



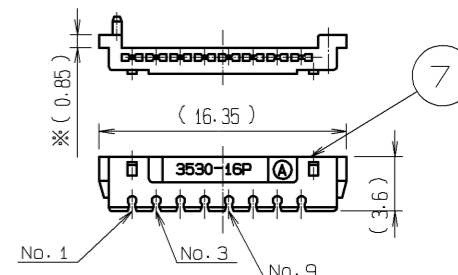
D-D (REFERENCE)



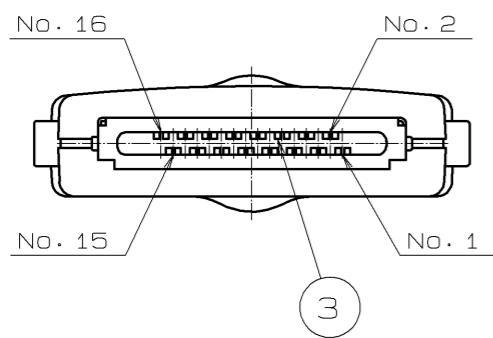
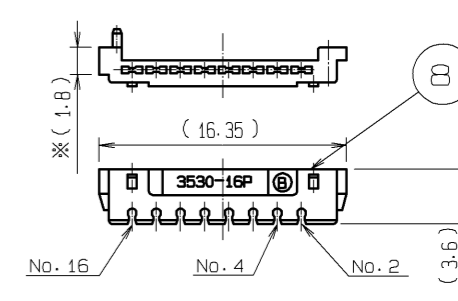
CONNECTOR UNIT



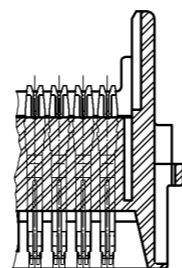
STOPPER PLATE (A) (*-0.85)



STOPPER PLATE (B) (*-1.8)



E-E



NOTE. 1 THIS PRODUCT SHALL BE IN DISASSEMBLED CONDITION (EXCEPT CONNECTOR UNIT ③, ④) WHEN DELIVERED.

| NO. | MATERIAL | FINISH | REMARKS | NO. | MATERIAL | FINISH | REMARKS |
|-----|-----------------|------------------------|---------|-----|-----------------|--------|---------------|
| 5 | STAINLESS STEEL | | | 9 | STEEL | BLACK | TAPPING SCREW |
| 4 | POLYAMIDE | BLACK | UL94V-0 | 8 | PBT | BLACK | UL94V-0 |
| 3 | COPPER ALLOY | SELECTIVE GOLD PLATING | 0.2μm | 7 | PBT | BLACK | UL94V-0 |
| 2 | POLYCARBONATE | BLACK | UL94V-0 | 6 | STAINLESS STEEL | | |
| 1 | POLYCARBONATE | BLACK | UL94V-0 | | | | |

| UNITS | SCALE | COUNT | DESCRIPTION OF REVISIONS | DESIGNED | CHECKED | DATE |
|-------|-------|-------|--------------------------|----------|----------------|----------|
| mm | 2 : 1 | 2 | DIS-E-004505 | TA. ASO | NM. NISHIMATSU | 13.02.05 |

| APPROVED | DATE | DRAWING NO. |
|---------------|----------|------------------|
| HO. MIWA | 05.01.05 | EDC3-120419-01 |
| CHECKED | DATE | PART NO. |
| YH. ENAMI | 05.01.05 | 3530A-16P-CV(50) |
| DESIGNED | DATE | CODE NO. |
| TU. TANIGUCHI | 05.01.05 | CL235-0003-9-50 |
| DRAWN | DATE | |
| TU. TANIGUCHI | 05.01.05 | |

Mouser Electronics

Authorized Distributor

Click to View Pricing, Inventory, Delivery & Lifecycle Information:

[Hirose Electric:](#)

[3530A-16P-CV\(50\)](#)