

"Stay Connected" with



HEYware Products

a PennEngineering® Company



Heyco® Nytye® Mounting Platforms

Flat Platforms – Adhesive Back Mount

- Multiple sizes, strengths, and mounting options anchor Nytyes® securely.
- Five Types:
 - 1) Flat - Adhesive-Back and Screw Mounts
 - 2) Saddle - Screw Mount only
 - 3) Push Mount - Arrowhead and Blind Mounts
 - 4) Snap Over Bolt
 - 5) Stainless Steel Edge Clip "SunRunner Series"

	MAX. TENSILE STRENGTH		ADHESIVE	INSERT POINTS	RELEASE TAB?	PART NO.	DESCRIPTION	PART DIMENSIONS					
	Lbs.	N						A		B		C	
								in.	mm.	in.	mm.	in.	mm.
NEW!	3	13	Rubber Acrylic	4	yes	3591 3591A	MP-050x050-ABR MP-050x050-ABA	.50	12,7	.50	12,7	.17	4,3
NEW!	15	67	Rubber Acrylic	4	yes	3595 3595A	MP-075x075-ABR MP-075x075-ABA	.75	19,1	.75	19,1	.28	7,0
NEW!			Rubber Acrylic	4	yes	3594 3594A	MP-080x080-ABR MP-080x080-ABA	.80	20,3	.80	20,3	.19	4,8
NEW!	20	89	Rubber Acrylic	4	yes	3599 3599A	MP-100x100-ABR MP-100x100-ABA	1.00	25,4	1.00	25,4	.32	8,1
NEW!			Rubber	2 4	yes yes	3590* 3593*	MP-110x110-ABR MP-115x115-ABR	1.10 1.15	27,9 29,2	1.10 1.15	27,9 29,2	.24 .26	6,0 6,6

Standard color natural. *These adhesive-backed parts are also screw mountable.

Flat Platforms – Screw Mount

- Rubber based adhesive effective up to 158°F (70°C).
- Acrylic based adhesive effective up to 167°F (75°C).
- Apply Adhesive-Backed parts to a clean, dry surface.

	MAX. TENSILE STRENGTH		SCREW SIZE		INSERT POINTS	PART NO.	DESCRIPTION	PART DIMENSIONS					
	Lbs.	N	in.	mm.				A		B		C	
								in.	mm.	in.	mm.	in.	mm.
	24	105	#6	3,5	4	4264	MP-075x075-S6	.75	19,1	.75	19,1	.24	6,0
	50	222	#8	4,0	4	4265	MP-038x075-S8	.38	9,5	.75	19,1	.20	5,0
	38	170				3589	MP-100x100-S8	1.00	25,4	1.00	25,4	.28	7,1
NEW!	15	68			2	3580	MP-110x110-S8	1.10	27,9	1.10	27,9	.20	5,1
NEW!	16	70	#6	3,5	4	3581	MP-115x115-S6	1.15	29,2	1.15	29,2	.22	5,6

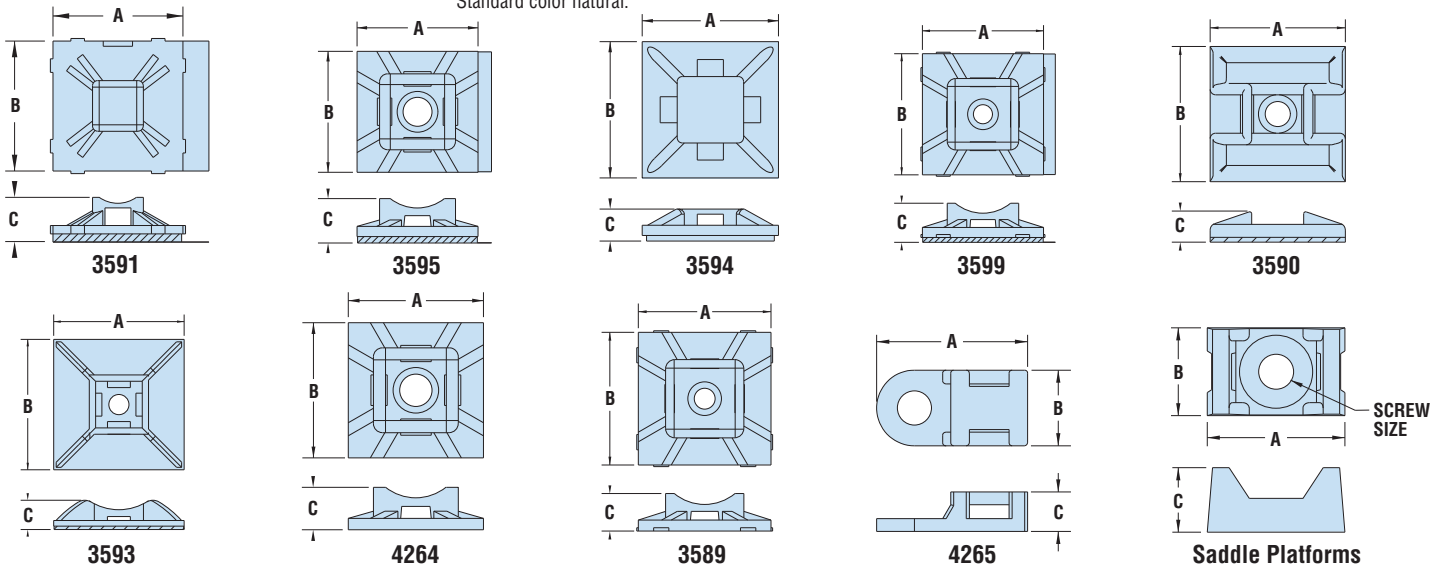
Standard color natural.

Saddle Platforms – Screw Mount

Tensile Lbs.	Width	
	in.	mm.
18	.10	2,5
40	.14	3,6
50	.19	4,8
120	.30	7,6

	MAX. TENSILE STRENGTH		SCREW SIZE		INSERT POINTS	PART NO.	DESCRIPTION	PART DIMENSIONS					
	Lbs.	N	in.	mm.				A		B		C	
								in.	mm.	in.	mm.	in.	mm.
	18	80	#4	3,0	2	4269	MP S-4	.51	13,0	.33	8,3	.24	6,1
	50	222	#8	4,0	2	3759	MP S-8	.60	15,2	.38	9,7	.28	7,0
	120	534	#10	5,0	2	3753	MP S-10	.87	22,2	.62	15,7	.39	9,9

Standard color natural.



Quick Specs

Material	Nylon 6/6
Certifications	Recognized under the Component Program of Underwriters' Laboratories File E54523 (Adhesive-Back Mount parts only)
Flammability Rating	94V-2
Temperature Range	-32°F (0°C) to 158°F (70°C)

Mouser Electronics

Authorized Distributor

Click to View Pricing, Inventory, Delivery & Lifecycle Information:

[Heyco:](#)

[3590](#) [3594](#) [3753](#) [3593](#) [3759](#) [4269](#) [4265](#) [4264](#) [3591](#) [3754](#) [3595](#) [3599](#) [3589](#) [3595A](#) [3599A](#) [3581](#) [3580](#)
[3594A](#) [3591A](#)