



- Convert trade size knock-out holes to diameters suitable for strain relief bushings.
- Allow for standardization of panel design since various strain relief bushing sizes can be adapted to one panel hole size.
- Allow for the mounting of strain relief bushings into unusually thick panel.
- Adapters mount into 1/2" knock-outs (7/8" or 22,2 mm nominal diameter).
- Made of zinc-plated steel.
- For Heyco Knock-Out Seals, see page 6-35.
- DFARS Compliant

Heyco® Knock-Out Adapters for Strain Relief Bushings

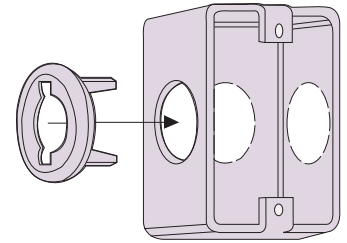
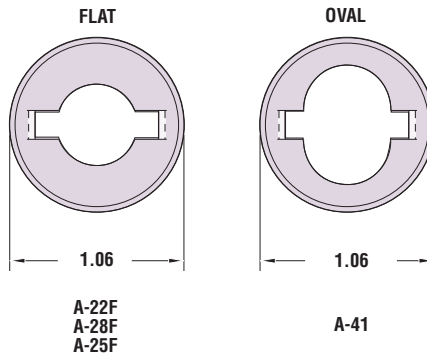
Will Adapt These Strain Reliefs to Fit an .875 (22,2mm.) Diameter Hole.	PART NO.	DESCRIPTION	LUG LENGTH	
			in.	mm.
4K-1, 4K-4, 4K-6, 4L-1 4L-4, 5L-1, 5P3-4, 5P-4, 5P-7, 5S-1, 6W-1, 14-1, 15-1, 5M-3	7562	A-22F	.500	12,7
6K-5, 6L-1, 6P2-5, 6P3-4 6P3-5, 6P3-7, 6P-4, 6P-5 6P-7, 10-2, 11-2, 11K-2	7567	A-25F	.500	12,7
5K-4, 5W-1, 16-1	7570	A-28F	.500	12,7
20-1, 20L-1, 30-1	7572	A-41	.500	12,7



A-10

A-10 Adapter Pliers (Part #0024)

For quick and easy locking of adapters.



Mouser Electronics

Authorized Distributor

Click to View Pricing, Inventory, Delivery & Lifecycle Information:

[Heyco:](#)

[7570](#) [7562](#) [7567](#) [7572](#)