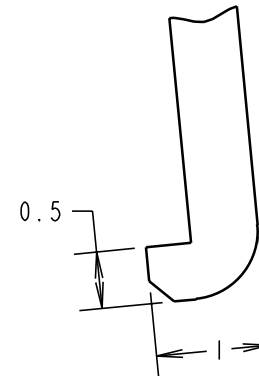
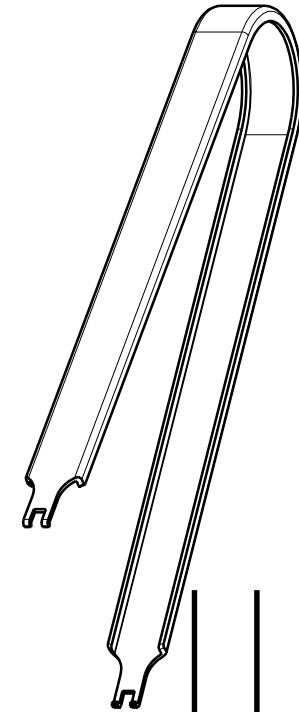
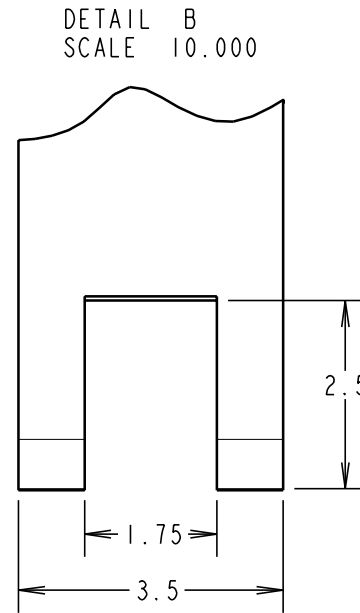
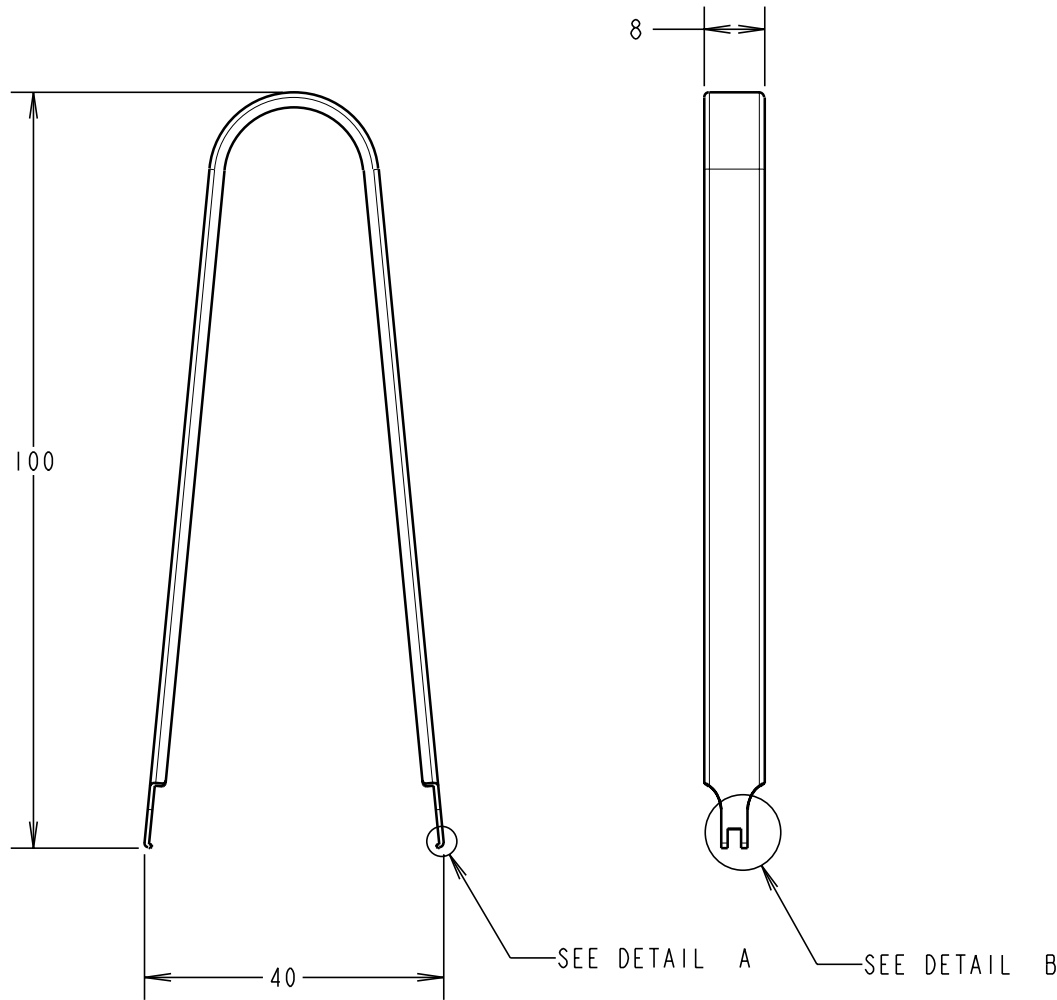


# Customer Information Sheet

DRAWING No.: T5746 SHEET 2 OF 2 IF IN DOUBT - ASK © NOT TO SCALE THIRD ANGLE PROJECTION ALL DIMENSIONS IN mm



3	18.12.00	5646
ISS.	DATE	C/NOTE
APPROVED:		
CHECKED:		
DRAWN: M. PLESTED		
CUSTOMER REF.:		
ASSEMBLY DRG:		

## HARWIN

HARWIN INC  
U.S.A.  
TEL: (812) 285 0055  
FAX: (812) 285 0056

HARWIN PLC  
U.K.  
TEL: 023 9237 0451  
FAX: 023 9231 4590

HARWIN PTE  
SINGAPORE  
TEL: 65 7794909  
FAX: 65 7793868

THIS DRAWING AND ANY INFORMATION OR DESCRIPTIVE MATTER SET OUT HEREON ARE CONFIDENTIAL AND COPYRIGHT PROPERTY OF THE HARWIN GROUP AND MUST NOT BE DISCLOSED, LOANED, COPIED OR USED FOR MANUFACTURING, TENDERING OR FOR ANY OTHER PURPOSE WITHOUT THEIR WRITTEN PERMISSION.

TOLERANCES  
ALL DIMENSIONS =  $\pm 0.10\text{mm}$   
ANGLES =  $\pm 5^\circ$   
UNLESS STATED

MATERIAL: SPRING STEEL  
FINISH: BLACK  
S/AREA: mm<sup>2</sup>

TITLE: CONNECTOR SEPARATOR TOOL  
DRAWING NUMBER: T5746  
SHT 2 OF 2

# Mouser Electronics

Authorized Distributor

Click to View Pricing, Inventory, Delivery & Lifecycle Information:

[Harwin:](#)

[T5746](#)