

Customer Information Sheet

DRAWING No.: S8211-46R

SHEET 2 OF 2

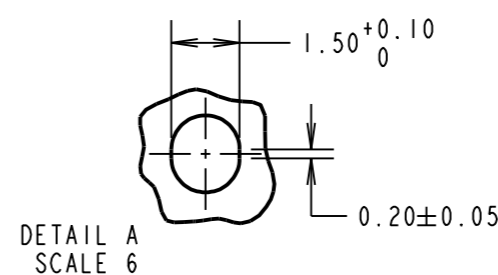
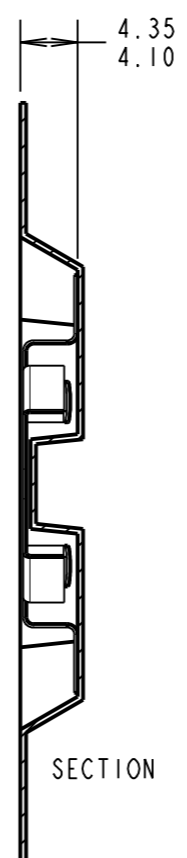
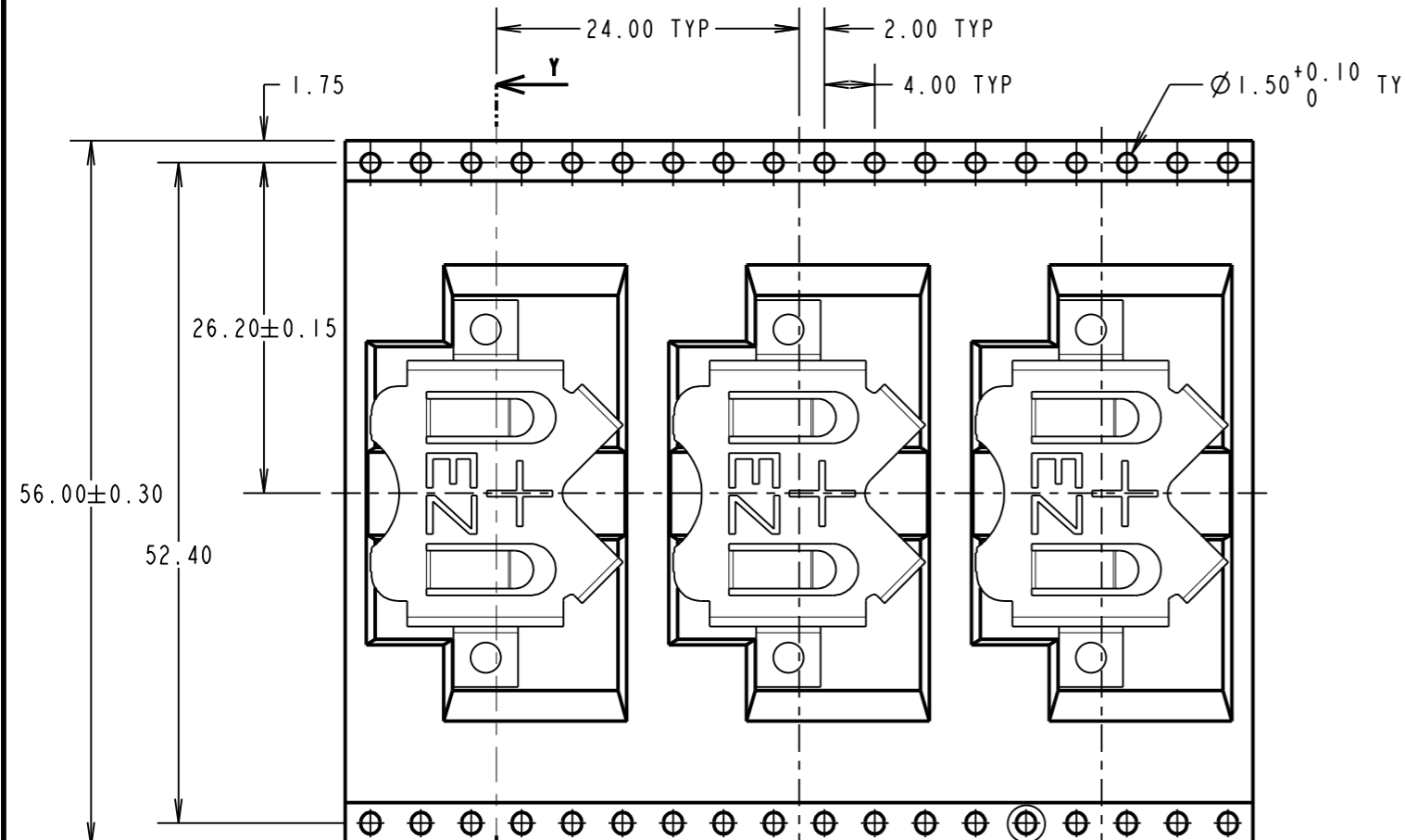
IF IN DOUBT - ASK

©

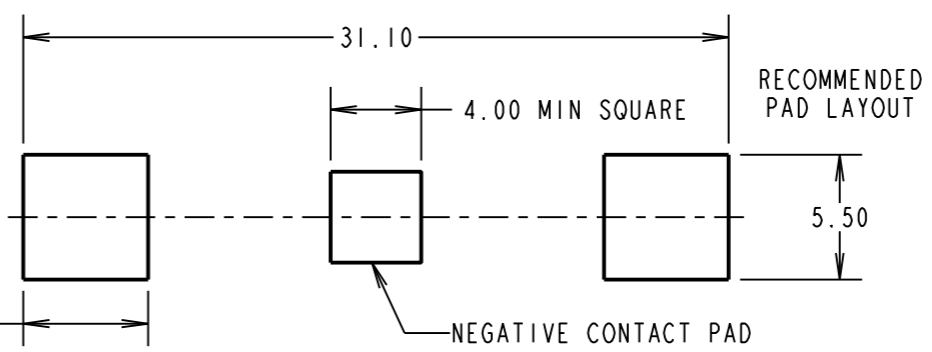
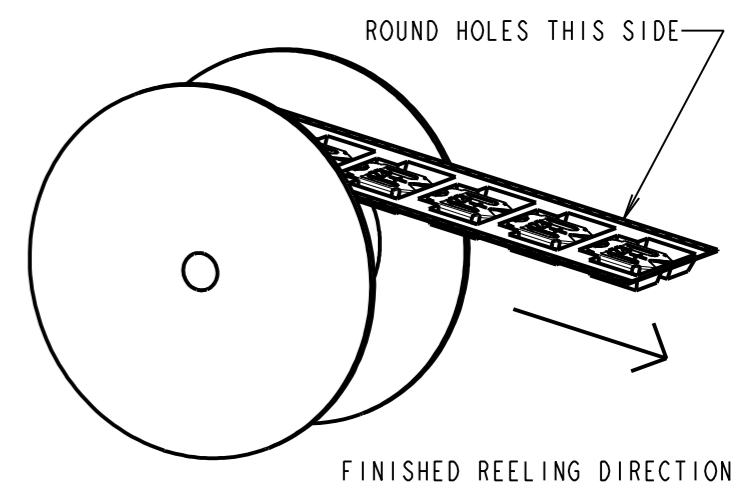
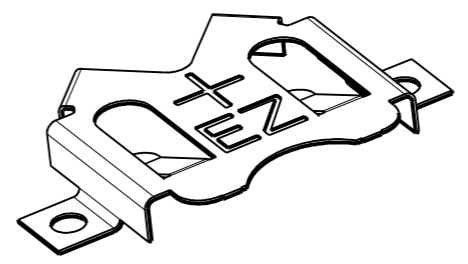
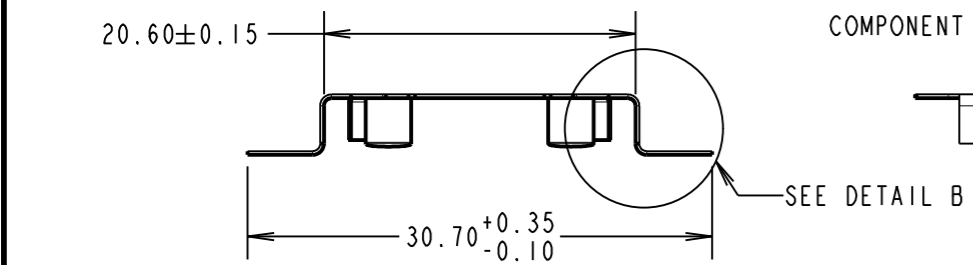
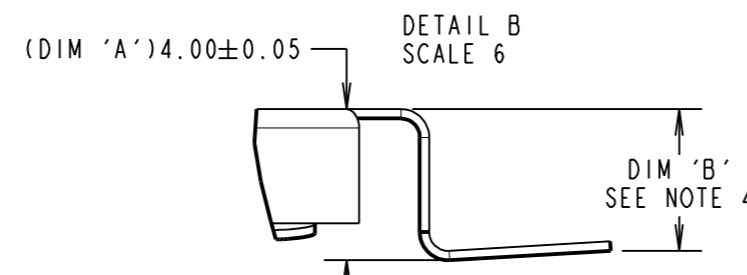
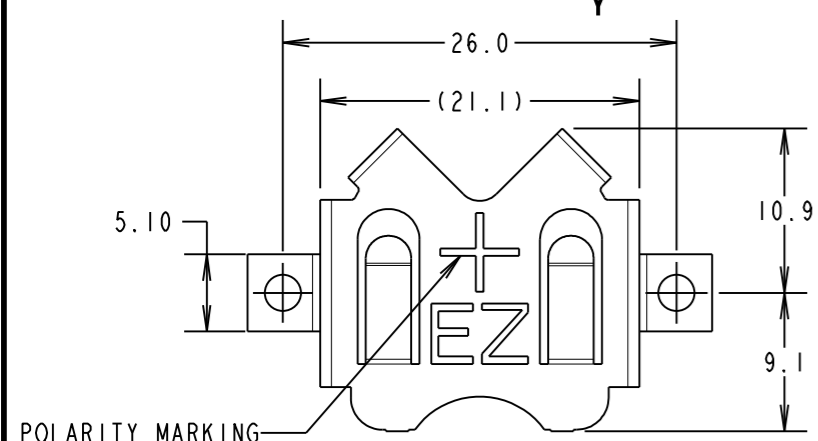
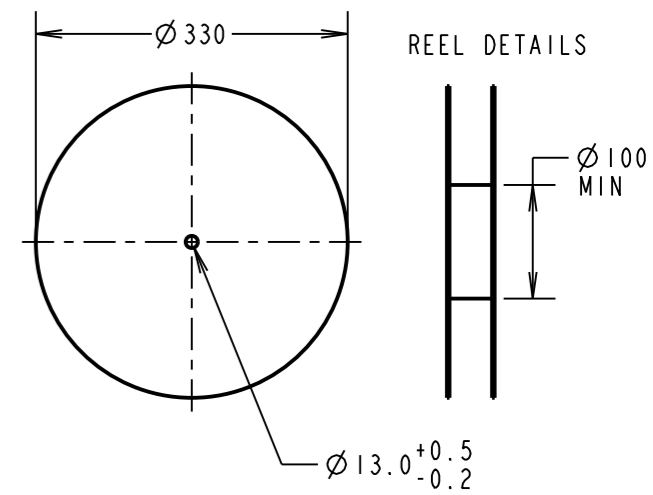
NOT TO SCALE

THIRD ANGLE PROJECTION

ALL DIMENSIONS IN mm



SPECIFICATION:
 MATERIAL = PHOSPHOR BRONZE
 FINISH:
 46 = 3µ 100% TIN, OVER NICKEL
 FOR COMPONENT SPECIFICATION SEE C043XX,
 (LATEST ISSUE)



- NOTES:
1. QUANTITY PER REEL = 550.
 2. THIS PRODUCT IS TAPED AND REELED IN ACCORDANCE WITH EIA-481-2-A (ELECTRONIC INDUSTRIES ASSOCIATION).
 3. THIS PRODUCT IS SUITABLE FOR THE FOLLOWING BATTERIES: CR2016, CR2025, CR2032 & BR2016, BR2020, BR2025 & OTHERS. PLEASE CHECK MANUFACTURERS SPECIFICATIONS FOR SUITABILITY.
 4. DIM 'B' IS EQUAL OR UP TO 0.25mm LESS THAN MEASURED VALUE OF DIM 'A'.

MSP	3	16.12.15	13204
NAME	ISS.	DATE	C/NOTE
APPROVED:		M. PERREN	
CHECKED:		S. BENNETT	
DRAWN:		R. ADDE	
CUSTOMER REF.:			
ASSEMBLY DRG:			

HARWIN

www.harwin.com
 technical@harwin.com

THIS DRAWING AND ANY INFORMATION OR DESCRIPTIVE MATTER SET OUT HEREON ARE CONFIDENTIAL AND COPYRIGHT PROPERTY OF THE HARWIN GROUP AND MUST NOT BE DISCLOSED, LOANED, COPIED OR USED FOR MANUFACTURING, TENDERING OR FOR ANY OTHER PURPOSE WITHOUT THEIR WRITTEN PERMISSION.

TOLERANCES
 X. = ±1mm
 X.X = ±0.50mm
 X.XX = ±0.10mm
 X.XXX = ±0.01mm
 ANGLES = ±5°
 UNLESS STATED

MATERIAL:
 SEE ABOVE
 FINISH: SEE ABOVE
 S/AREA: mm²

TITLE:
 COIN CELL RETAINER (20mm)
 (TAPE & REELED)
 DRAWING NUMBER:
S8211-46R
 SHT 2 OF 2

Mouser Electronics

Authorized Distributor

Click to View Pricing, Inventory, Delivery & Lifecycle Information:

[Harwin:](#)

[S8211-46R](#)