

Customer Information Sheet

DRAWING No.: M80-850XXX

IF IN DOUBT - ASK

©

NOT TO SCALE

THIRD ANGLE PROJECTION

ALL DIMENSIONS IN mm

SPECIFICATIONS:

MATERIAL:
 MOULDING = POLYAMIDE 46 UL94V-0, BLACK
 CONTACTS = BERYLLIUM COPPER

FINISH:
 CONTACTS (ALL OVER NICKEL):
~~01 = 0.3µm GOLD CLIP, 3.5µm 90/10 TIN/LEAD SHELL~~
 45 = 0.30µm GOLD CLIP, 0.28µm GOLD SHELL
 42 = 0.30µm GOLD CLIP, 4.0µm 100% TIN SHELL

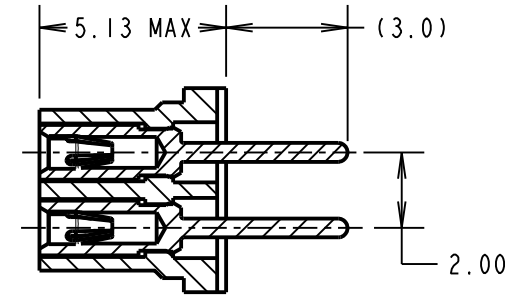
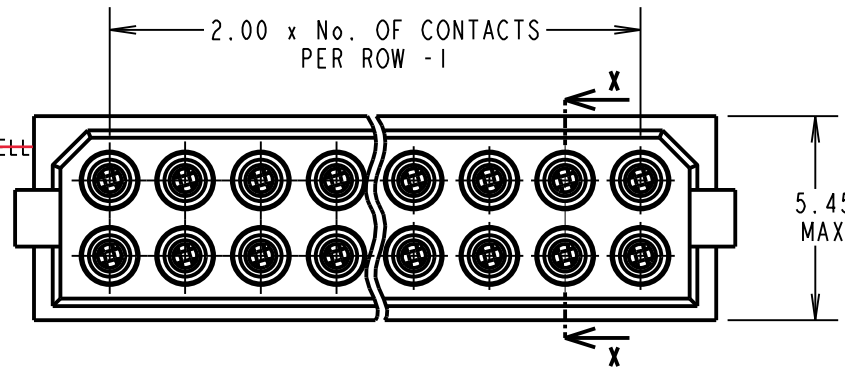
ELECTRICAL:
 CURRENT RATING (25°C) = 3.0A MAX.
 CURRENT RATING (85°C) = 2.2A MAX.
 WORKING VOLTAGE = 800V AC/DC
 VOLTAGE PROOF = 1200V AC/DC
 CONTACT RESISTANCE:

INITIAL = 20 mΩ MAX.
 AFTER CONDITIONING = 25 mΩ MAX.
 INSULATION RESISTANCE:
 INITIAL = 1000 MΩ MIN.
 AFTER CONDITIONING = 100 MΩ MIN.

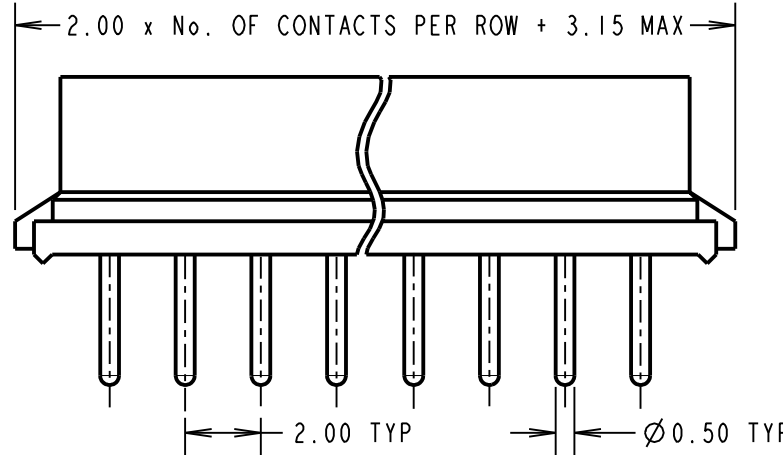
MECHANICAL:
 DURABILITY = 500 OPERATIONS
 INSERTION FORCE (∅0.5mm GAUGE) = 2N MAX
 WITHDRAWAL FORCE (∅0.5mm GAUGE) = 0.2N MIN

ENVIRONMENTAL:
 TEMPERATURE RANGE = -55°C TO +125°C

PACKING:
 TUBE
 FOR COMPLETE SPECIFICATION, SEE COMPONENT SPECIFICATION C005XX (LATEST ISSUE)



SECTION X-X



ORDER CODE:

M80-850XXX

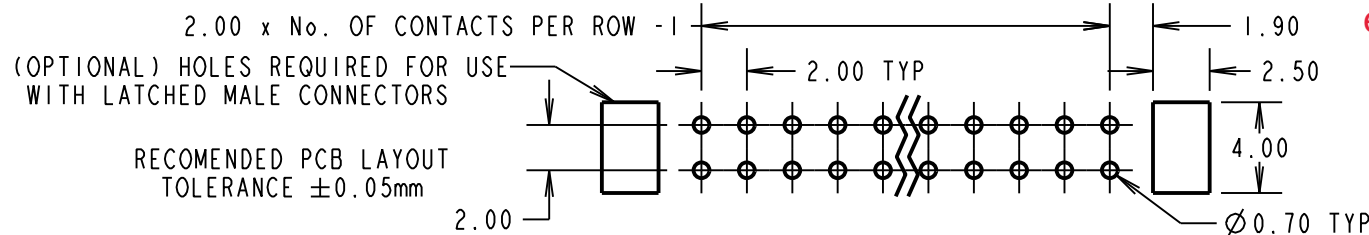
TOTAL No. OF WAYS _____
 04, 06, 08, 10, 12, 14, 16,
 18, 20, 26, 34, 44

FINISH: _____

~~01 = TIN/LEAD SHELL, GOLD CLIP~~
 45 = GOLD SHELL, GOLD CLIP
 42 = 100% TIN SHELL, GOLD CLIP

OBSOLETE

Order codes
 ending 01 (Non-
 RoHS finish)



MGP	12	10.03.21	30417
NAME	ISS.	DATE	CN/CO
APPROVED: MGP			
CHECKED: RA			
DRAWN: I. SANDY			
CUSTOMER REF.:			
ASSEMBLY DRG:			

HARWIN

www.harwin.com
 technical@harwin.com

THIS DRAWING AND ANY INFORMATION OR DESCRIPTIVE MATTER SET OUT HEREON ARE CONFIDENTIAL AND COPYRIGHT PROPERTY OF THE HARWIN GROUP AND MUST NOT BE DISCLOSED, LOANED, COPIED OR USED FOR MANUFACTURING, TENDERING OR FOR ANY OTHER PURPOSE WITHOUT THEIR WRITTEN PERMISSION.

TOLERANCES
 X. = ±1mm
 X.X = ±0.50mm
 X.XX = ±0.20mm
 X.XXX = ±0.01mm
 ANGLES = ±5°
 UNLESS STATED

MATERIAL:
 SEE ABOVE
FINISH: SEE ABOVE
S/AREA: mm²

TITLE: DATAMATE DIL
 VERTICAL PC TAIL SOCKET
 ASSEMBLY (RoHS)

DRAWING NUMBER:
M80-850XXX

SHT
 2
 OF 2

Mouser Electronics

Authorized Distributor

Click to View Pricing, Inventory, Delivery & Lifecycle Information:

Harwin:

[M80-8503401](#) [M80-8502042](#) [M80-8502045](#) [M80-8502645](#) [M80-8502642](#) [M80-8504442](#) [M80-8500645](#) [M80-8500642](#) [M80-8501842](#) [M80-8501845](#) [M80-8501042](#) [M80-8501045](#) [M80-8501442](#) [M80-8501445](#) [M80-8501245](#) [M80-8501242](#) [M80-8500845](#) [M80-8500842](#) [M80-8501642](#) [M80-8501645](#) [M80-8500442](#) [M80-8500445](#) [M80-8503442](#) [M80-8503445](#) [M80-8501245R](#)