

# Customer Information Sheet

DRAWING No.: M80-942XXXX

SHEET 2 OF 2

IF IN DOUBT - ASK

©

NOT TO SCALE

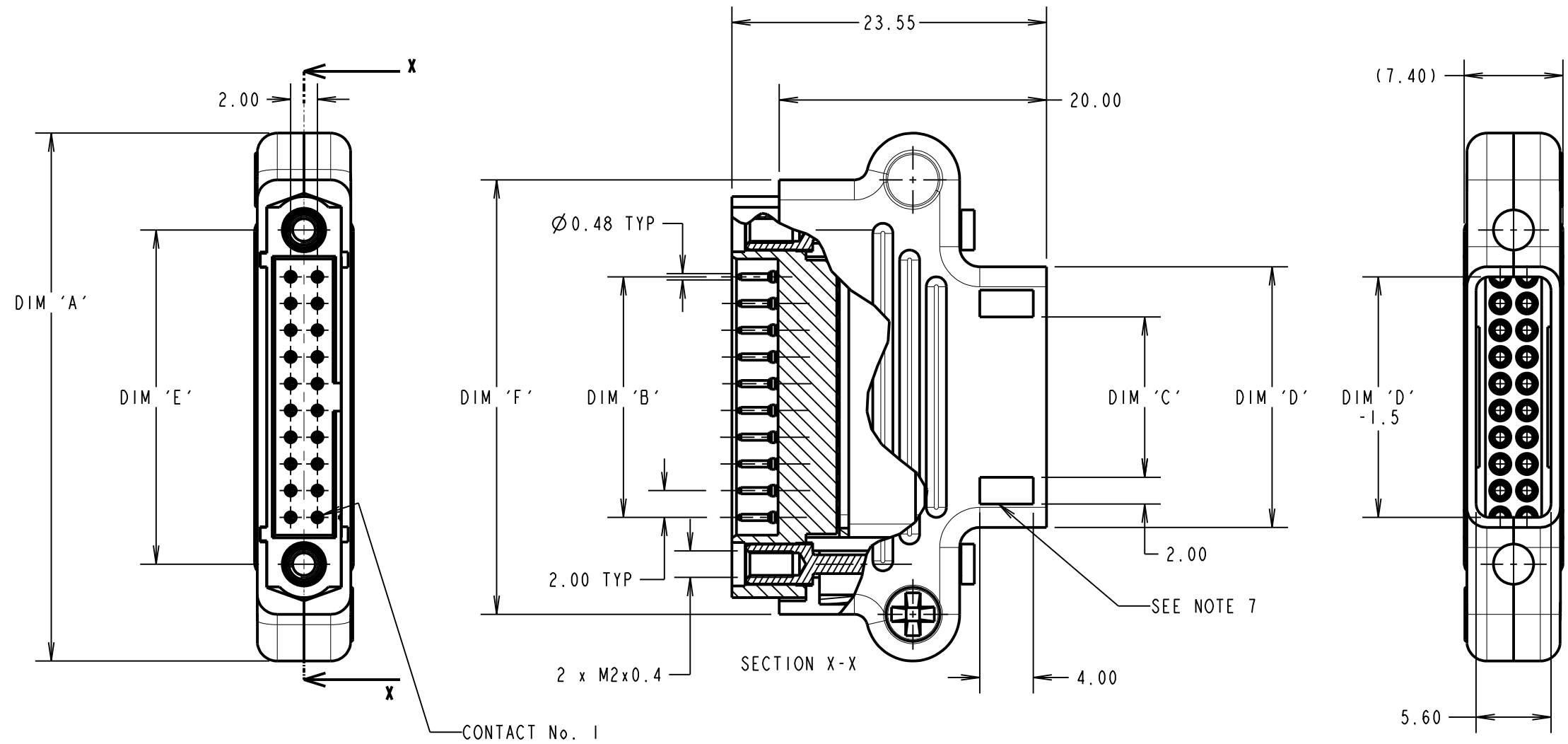
THIRD ANGLE PROJECTION

ALL DIMENSIONS IN mm

ORDER CODE:  
**M80-942XX05**

TOTAL No. OF CONTACTS  
06, 08, 10, 12, 14,  
20, 26, 34, 42, 50

**SPECIFICATIONS:**  
**MATERIAL:**  
 CABLE HOOD = 30% GLASS-FILLED POLYAMIDE 46  
 DATAMATE MOULDING = 30% GLASS-FILLED PPS,  
 UL94V-0, BLACK  
 CONTACT = BRASS  
 JACKSCREW = STAINLESS STEEL  
 CABLE HOOD FIXING SCREW = STAINLESS STEEL  
**FINISH:**  
 CONTACT:  
 05 = 0.25-0.3µm GOLD  
 CABLE HOOD FIXING SCREW = BLACK NICKEL  
**ELECTRICAL:**  
 CURRENT RATING AT 25°C = 3.0A MAX  
 CURRENT RATING AT 85°C = 2.2A MAX  
 WORKING VOLTAGE = 800V AC/DC  
 VOLTAGE PROOF = 1200V AC/DC  
 CONTACT RESISTANCE = 25mΩ MAX  
 INSULATION RESISTANCE = 100MΩ MIN  
**MECHANICAL:**  
 DURABILITY = 500 OPERATIONS  
**ENVIRONMENTAL:**  
 TEMPERATURE RANGE = -55°C TO +125°C  
**PACKING:**  
 BAG  
 FOR COMPLETE SPECIFICATION, SEE COMPONENT  
 SPECIFICATION C005XX (LATEST ISSUE)



- NOTES:**
- CONNECTORS ARE SUPPLIED WITH CONTACTS, CABLE HOOD SET, AND CABLE HOOD FIXING SCREWS LOOSE.
  - FOR EXTRA CONTACTS, USE PART NUMBER M80-1950005.
  - RECOMMENDED WIRE TYPE = BS 3G 210 TYPE A, PTFE INSULATED 24-28 AWG. MAX INSULATION DIAMETER = Ø1.10mm, STRIP WIRE BY 2.00mm.
  - RECOMMENDED HAND CRIMP TOOL = M22520/2-01 WITH POSITIONER Z80-193. SEE INSTRUCTION SHEET IS-01 FOR COMPLETE CRIMPING INSTRUCTIONS.
  - CONTACT INSERTION AND EXTRACTION TOOL = Z80-280. REFER TO INSTRUCTION SHEET IS-25 FOR ASSEMBLY INSTRUCTIONS.
  - NO CABLE TIE SLOTS ON M80-94206XX AND M80-94208XX.

PART NUMBER	No. OF CONTACTS	PART DIMENSIONS					
		DIM 'A'	DIM 'B'	DIM 'C'	DIM 'D'	DIM 'E'	DIM 'F'
M80-94206XX	6	25.50	4.00	N/A	5.50	11.00	18.50
M80-94208XX	8	27.50	6.00	N/A	7.50	13.00	20.50
M80-94210XX	10	29.50	8.00	2.00	9.50	15.00	22.50
M80-94212XX	12	31.50	10.00	4.00	11.50	17.00	24.50
M80-94214XX	14	33.50	12.00	6.00	13.50	19.00	26.50
M80-94220XX	20	39.50	18.00	12.00	19.50	25.00	32.50
M80-94226XX	26	45.50	24.00	18.00	22.50	31.00	38.50
M80-94234XX	34	53.50	32.00	26.00	33.50	39.00	46.50
M80-94242XX	42	61.50	40.00	34.00	41.50	47.00	54.50
M80-94250XX	50	69.50	48.00	42.00	49.50	55.00	62.50

FM	8	26.03.18	20940
NAME	ISS.	DATE	C/NOTE
APPROVED: F. MCGOWAN			
CHECKED: S. BENNETT			
DRAWN: N. CODLING			
CUSTOMER REF.:			
ASSEMBLY DRG:			

**HARWIN**

www.harwin.com  
technical@harwin.com

THIS DRAWING AND ANY INFORMATION OR DESCRIPTIVE MATTER SET OUT HEREON ARE CONFIDENTIAL AND COPYRIGHT PROPERTY OF THE HARWIN GROUP AND MUST NOT BE DISCLOSED, LOANED, COPIED OR USED FOR MANUFACTURING, TENDERING OR FOR ANY OTHER PURPOSE WITHOUT THEIR WRITTEN PERMISSION.

**TOLERANCES**

X. = ±1mm  
 X.X = ±0.50mm  
 X.XX = ±0.10mm  
 X.XXX = ±0.01mm  
 ANGLES = ±5°  
 UNLESS STATED

**MATERIAL:**

SEE ABOVE

FINISH: SEE ABOVE

S/AREA: mm<sup>2</sup>

TITLE: JACKSCREW DATAMATE DIL CRIMP (SMALL BORE) MALE ASSY WITH CABLE HOOD KIT

DRAWING NUMBER: **M80-942XXXX**

SHT 2 OF 2

# Mouser Electronics

Authorized Distributor

Click to View Pricing, Inventory, Delivery & Lifecycle Information:

[Harwin:](#)

[M80-9420605](#) [M80-9421005](#) [M80-9421205](#) [M80-9421405](#) [M80-9422005](#) [M80-9422605](#) [M80-9423405](#) [M80-9424205](#) [M80-9425005](#)