

# Customer Information Sheet

DRAWING No.: M80-826XXXX

SHEET 2 OF 2

IF IN DOUBT - ASK

©

NOT TO SCALE

THIRD ANGLE PROJECTION

ALL DIMENSIONS IN mm

**NOTES:**

- 2-OFF STRAIN RELIEF STRAPS M80-0030006 MAY BE USED WITH THIS CONNECTOR.

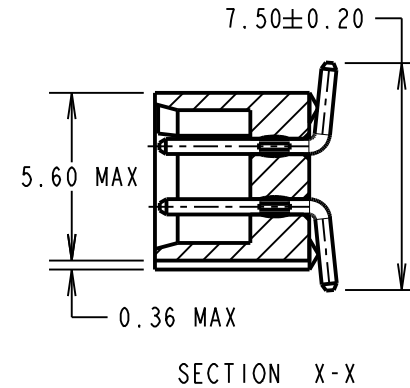
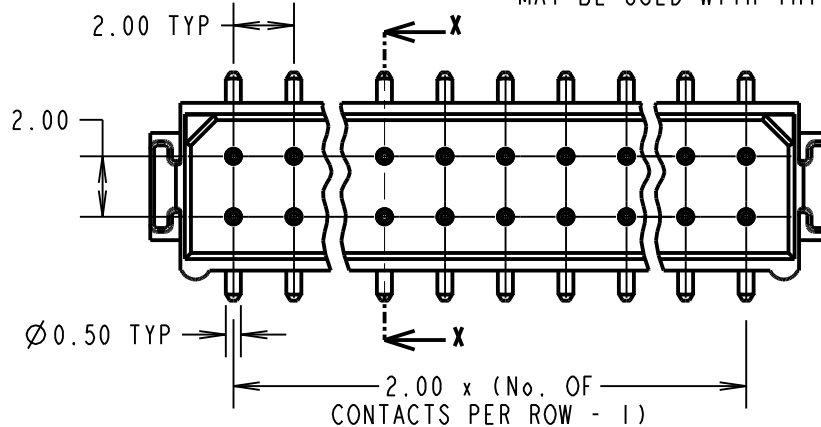
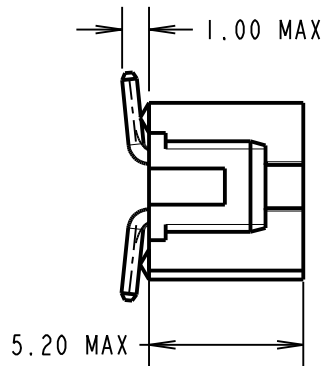
ORDER CODE:

**M80-826XXXX**

TOTAL No. OF WAYS  
 04, 06, 08, 10, 12,  
 14, 16, 18, 20, 26,  
 34

FINISH

- 22 - SELECTIVE GOLD + TIN/LEAD
- 42 - SELECTIVE GOLD + 100% TIN
- 45 - GOLD

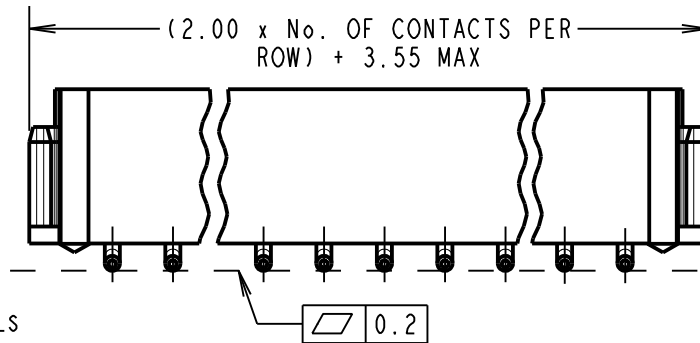


**SPECIFICATIONS:**

**MATERIAL:**  
 MOULDING = G-F PPS UL94V-0, BLACK  
 CONTACTS = PHOSPHOR BRONZE

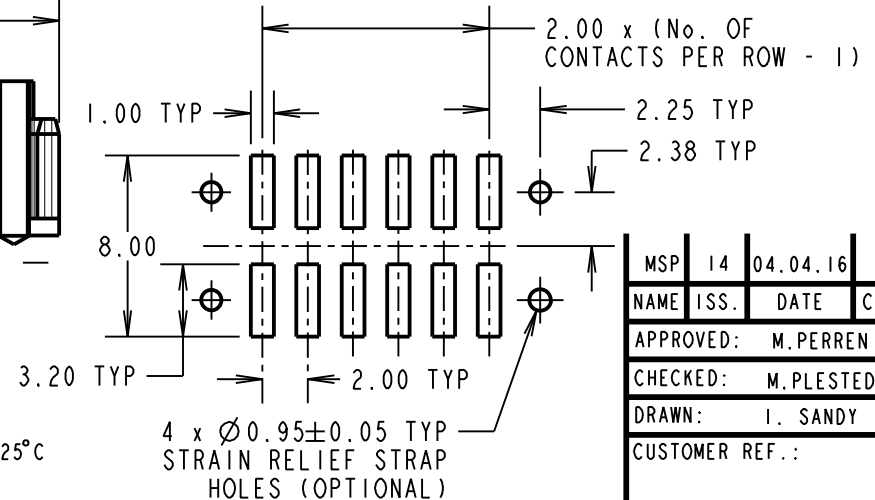
**FINISH:**  
**CONTACTS:**  
 22 = 0.75µ GOLD ON CONTACT AREA,  
 3.0µ 90/10 TIN/LEAD ON TAILS  
 42 = 0.75µ GOLD ON CONTACT AREA,  
 3.0µ 100% TIN OVER NICKEL ON TAILS  
 45 = 0.75µ GOLD ALL OVER

**ELECTRICAL:**  
 CURRENT RATING AT 25°C = 3.0A MAX  
 CURRENT RATING AT 85°C = 2.2A MAX  
 WORKING VOLTAGE = 800V AC/DC  
 VOLTAGE PROOF = 1200V AC/DC  
 CONTACT RESISTANCE (INITIAL) = 20mΩ MAX  
 CONTACT RESISTANCE (AFTER CONDITIONING) = 25mΩ MAX  
 INSULATION RESISTANCE (INITIAL) = 1,000MΩ MIN  
 INSULATION RESISTANCE (AFTER CONDITIONING) = 100MΩ MIN



**MECHANICAL:**  
 DURABILITY = 500 OPERATIONS  
**ENVIRONMENTAL:**  
 TEMPERATURE RANGE = -55°C TO +125°C  
**PACKING:**  
 TUBE

FOR COMPLETE SPECIFICATION, SEE COMPONENT SPECIFICATION C005XX (LATEST ISSUE)



RECOMMENDED PCB LAYOUT

MSP	14	04.04.16	13302
NAME	ISS.	DATE	C/NOTE
APPROVED: M.PERREN			
CHECKED: M.PLESTED			
DRAWN: I. SANDY			
CUSTOMER REF.:			
ASSEMBLY DRG:			

**HARWIN**

www.harwin.com  
 technical@harwin.com

THIS DRAWING AND ANY INFORMATION OR DESCRIPTIVE MATTER SET OUT HEREON ARE CONFIDENTIAL AND COPYRIGHT PROPERTY OF THE HARWIN GROUP AND MUST NOT BE DISCLOSED, LOANED, COPIED OR USED FOR MANUFACTURING, TENDERING OR FOR ANY OTHER PURPOSE WITHOUT THEIR WRITTEN PERMISSION.

**TOLERANCES**  
 X. = ±1mm  
 X.X = ±0.50mm  
 X.XX = ±0.10mm  
 X.XXX = ±0.01mm  
 ANGLES = ±5°  
 UNLESS STATED

**MATERIAL:**  
 SEE ABOVE  
**FINISH:** SEE ABOVE  
**S/AREA:** mm<sup>2</sup>

**TITLE:** DATAMATE L-TEK  
 MALE DIL VERTICAL SMT  
 ASSEMBLY - UNLATCHED  
**DRAWING NUMBER:**  
**M80-826XXXX**

SHT  
 2 OF 2

# Mouser Electronics

Authorized Distributor

Click to View Pricing, Inventory, Delivery & Lifecycle Information:

[Harwin:](#)

[M80-8262622](#) [M80-8261422](#) [M80-8262022](#) [M80-8261222](#) [M80-8261022](#) [M80-8263422](#) [M80-8261622](#) [M80-8260822](#) [M80-8260622](#) [M80-8260842](#) [M80-8262042](#) [M80-8261042](#) [M80-8263442](#) [M80-8262642](#) [M80-8261822](#)  
[M80-8264422](#) [M80-8264442](#) [M80-8260642](#)