

# Customer Information Sheet

DRAWING No.: M80-001

SHEET 3 OF 3

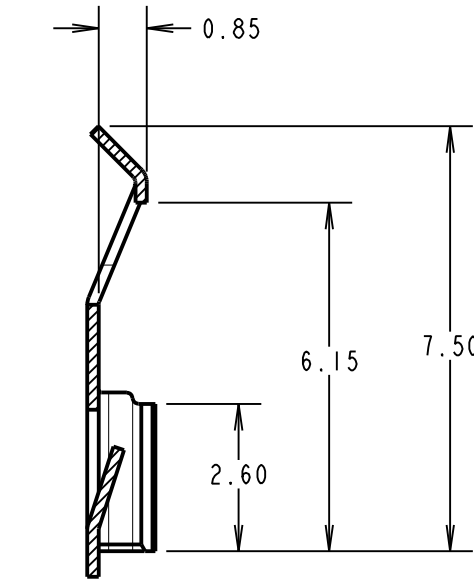
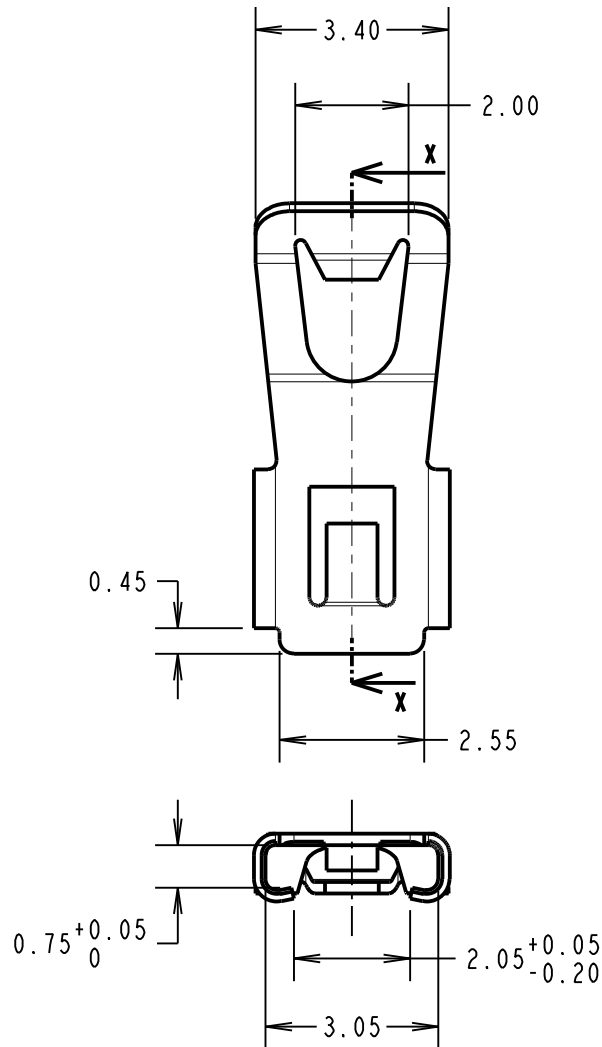
IF IN DOUBT - ASK

©

NOT TO SCALE

THIRD ANGLE PROJECTION

ALL DIMENSIONS IN mm



SECTION X-X

NOTES:  
1. SUITABLE FOR USE WITH ANY MALE CONNECTOR IN THE M80 (DATAMATE) SERIES.

SPECIFICATIONS:  
MATERIAL = BERYLLIUM COPPER  
FINISH = 1.25 $\mu$ /2.0 $\mu$  NICKEL  
ALL OTHER APPLICABLE SPECIFICATIONS ARE SHOWN IN COMPONENT SPECIFICATION C005XX (LATEST ISSUE), AND APPLY WHEN LATCH IS ATTACHED TO CONNECTOR.

MSP	16	22.12.14	12756
NAME	ISS.	DATE	C/NOTE
APPROVED:		M. PERREN	
CHECKED:		S. BENNETT	
DRAWN:		M. A. TODD	
CUSTOMER REF.:			
ASSEMBLY DRG:			

## HARWIN

www.harwin.com  
technical@harwin.com

THIS DRAWING AND ANY INFORMATION OR DESCRIPTIVE MATTER SET OUT HEREON ARE CONFIDENTIAL AND COPYRIGHT PROPERTY OF THE HARWIN GROUP AND MUST NOT BE DISCLOSED, LOANED, COPIED OR USED FOR MANUFACTURING, TENDERING OR FOR ANY OTHER PURPOSE WITHOUT THEIR WRITTEN PERMISSION.

TOLERANCES  
X. =  $\pm 1$ mm  
X.X =  $\pm 0.25$ mm  
X.XX =  $\pm 0.10$ mm  
X.XXX =  $\pm 0.01$ mm  
ANGLES =  $\pm 5^\circ$   
UNLESS STATED

MATERIAL:

SEE ABOVE

FINISH:

SEE ABOVE

S/AREA:

mm<sup>2</sup>

TITLE:

DATAMATE LOCKING LATCH

DRAWING NUMBER:

M80-001

SHT  
3 OF 3

# Mouser Electronics

Authorized Distributor

Click to View Pricing, Inventory, Delivery & Lifecycle Information:

[Harwin:](#)

[M80-001](#)