

SPECIFICATIONS:

MATERIAL:-

HOUSING: NYLON PA9T G.F.(UL94V-0), BLACK

TERMINAL: BRASS

SHIELD: BRASS

FINISH:-

TERMINAL: GOLD PLATING ON CONTACT AREA,
TIN PLATING ON SOLDER TAIL

SHIELD: NICKEL PLATING ALL OVER

ELECTRICAL:-

CURRENT RATING: 1.5 AMP MAX.

DIELECTRIC WITHSTANDING VOLTAGE: 500V AC RMS
FOR 60 SECS

CONTACT RESISTANCE: 30 mΩ MAX.

INSULATION RESISTANCE: 100 MΩ MIN. AT 500V DC

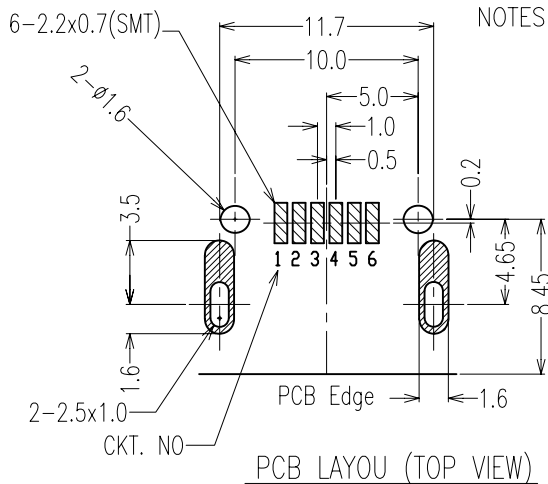
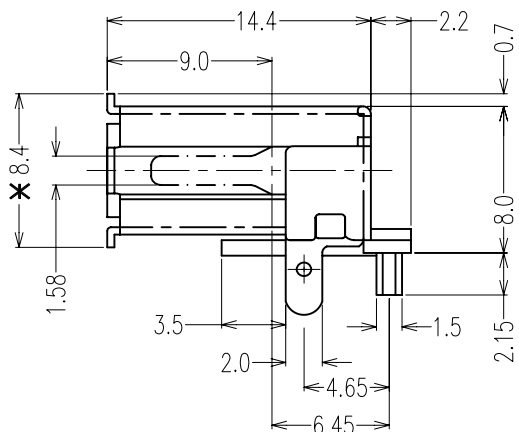
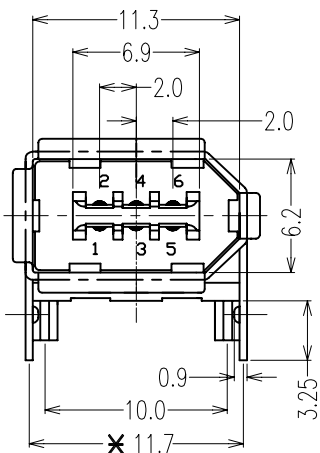
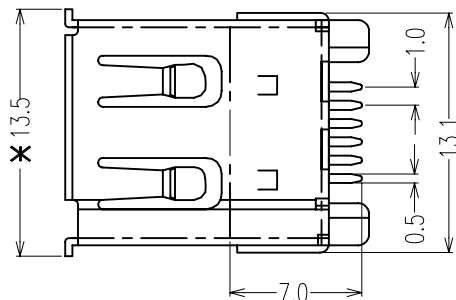
MECHANICAL:-

DURABILITY: 1500 CYCLES

ENVIRONMENTAL:-

TEMPERATURE RANGE: -55°C ~ +85°C

NOTES: ALL DIMENSIONS AND NOTES
MARKED * ARE CRITICAL AND
MUST BE CHECKED IN ACCORDANCE
WITH QUALITY DOC. Q1-02A



TOLERANCES
X.X = ±0.30mm
X.XX = ±0.30mm

HARWIN

HARWIN USA
TEL: 603 893 5376
FAX: 603 893 5396
mis@harwin.com

HARWIN Europe (UK)
TEL: 023 9231 4545
FAX: 023 9231 4590
mis@harwin.co.uk

HARWIN Asia
TEL: +65 6 779 4909
FAX: +65 6 779 3868
mis@harwin.com.sg

THIS DRAWING AND ANY
INFORMATION OR DESCRIPTIVE
MATTER SET OUT HEREON ARE
CONFIDENTIAL AND COPYRIGHT
PROPERTY OF THE HARWIN
GROUP AND MUST NOT BE
DISCLOSED, LOANED, COPIED
OR USED FOR MANUFACTURING,
TENDERING OR FOR ANY
OTHER PURPOSE WITHOUT
THEIR WRITTEN PERMISSION.

TOLERANCES
X. = ±1mm
X.X = ±0.25mm
X.XX = ±0.10mm
X.XXX = ±0.01mm
ANGLES = ±5°
UNLESS STATED

MATERIAL:
SEE NOTES
FINISH: SEE NOTES
S/AREA: mm²

TITLE:
IEEE 1394, PCB MOUNT SMT TYPE,
METAL SHIELD, FEMALE
DRAWING NUMBER:
M702-230642
SHT
1
OF
1

| | | | |
|----------------------|------|----------------|--------|
| Allan | 2 | 28.01.08 | A109 |
| Allan | 1 | 01.08.06 | - |
| NAME | ISS. | DATE | C/NOTE |
| APPROVED: | | | |
| CHECKED: <i>Paul</i> | | | |
| DRAWN: Allan | | CUSTOMER REF.: | |
| ASSEMBLY DRG: | | | |



Mouser Electronics

Authorized Distributor

Click to View Pricing, Inventory, Delivery & Lifecycle Information:

[Harwin:](#)

[M702-230642](#)