

Customer Information Sheet

DRAWING No.: M22-654XX42R

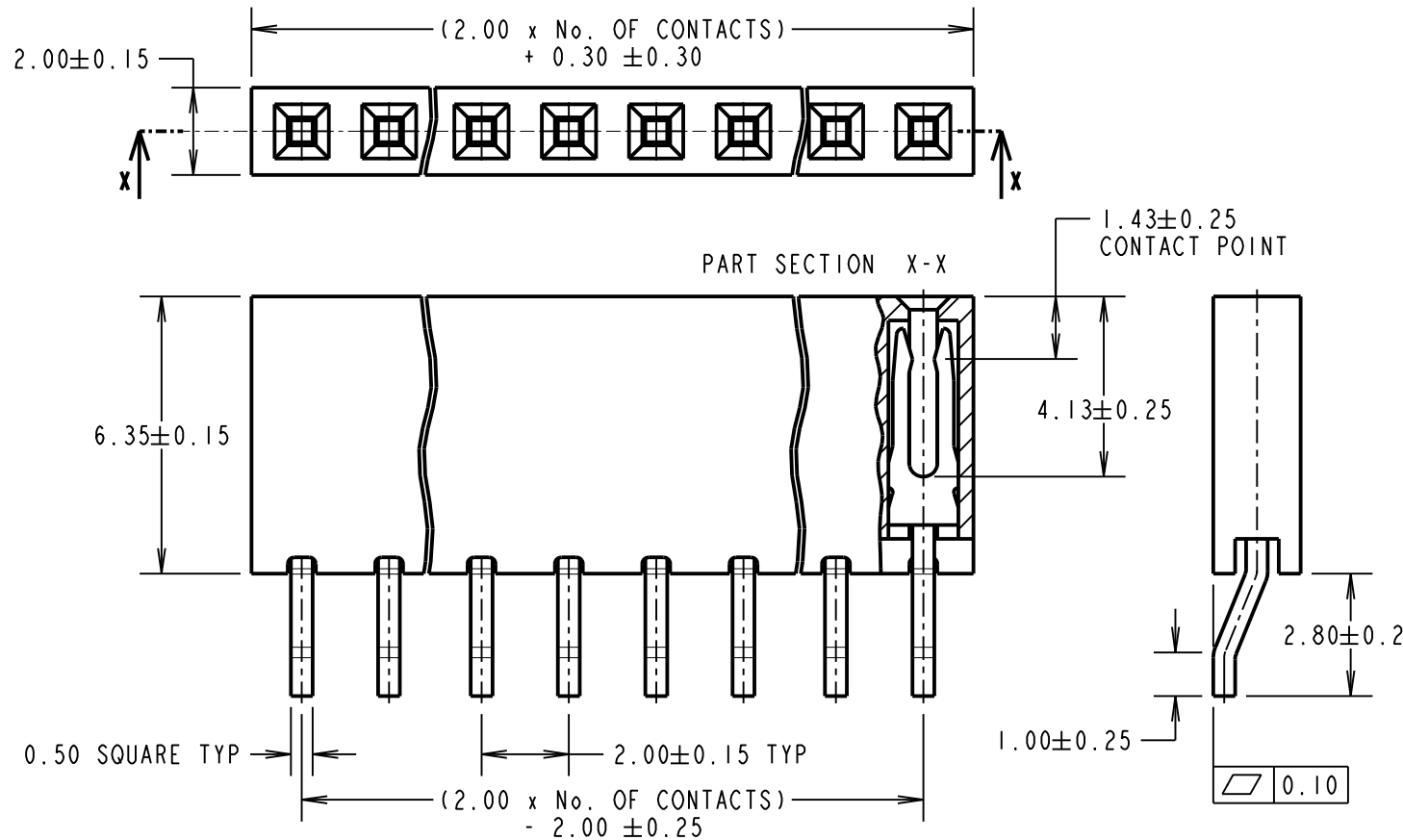
IF IN DOUBT - ASK

©

NOT TO SCALE

THIRD ANGLE PROJECTION

ALL DIMENSIONS IN mm



COMPONENT SPECIFICATIONS:

MATERIAL:

MOULD = GLASS FILLED LCP, UL94V-0

CONTACTS = PHOSPHOR BRONZE

FINISH:

0.76-2.03µm NICKEL ALL OVER,

0.015µm MIN GOLD ON CONTACT,

2.03-5.08µm TIN ON TAILS.

ELECTRICAL:

CURRENT RATING = 2A

CONTACT RESISTANCE = 20mΩ MAX

INSULATION RESISTANCE = 1000MΩ MIN

VOLTAGE PROOF = 500V AC FOR ONE MINUTE

MECHANICAL:

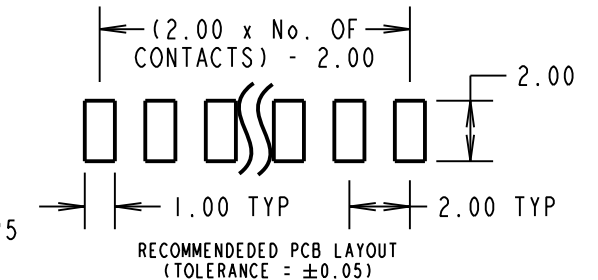
INSERTION FORCE = 1.96N MAX PER CONTACT

WITHDRAWAL FORCE = 0.19N MIN PER CONTACT

DURABILITY = 300 CYCLES MIN

ENVIRONMENTAL:

OPERATING TEMPERATURE = -40°C TO +105°C



NOTES:
1. FOR TAPE AND REEL DETAILS, SEE SHEET 4.

ORDER CODE:
M22-654XX42R
No. OF CONTACTS PER ROW: _____
02-06, 08, 10

MGP	2	28.01.19	21764
NAME	ISS.	DATE	C/NOTE
APPROVED: MGP			
CHECKED: RP			
DRAWN: M.PERREN			
CUSTOMER REF.:			
ASSEMBLY DRG:			

HARWIN

www.harwin.com
technical@harwin.com

THIS DRAWING AND ANY INFORMATION OR DESCRIPTIVE MATTER SET OUT HEREON ARE CONFIDENTIAL AND COPYRIGHT PROPERTY OF THE HARWIN GROUP AND MUST NOT BE DISCLOSED, LOANED, COPIED OR USED FOR MANUFACTURING, TENDERING OR FOR ANY OTHER PURPOSE WITHOUT THEIR WRITTEN PERMISSION.

TOLERANCES
X. = ±1mm
X.X = ±0.50mm
X.XX = ±0.10mm
X.XXX = ±0.01mm
ANGLES = ±5°
UNLESS STATED

MATERIAL:
SEE ABOVE
FINISH: SEE ABOVE
S/AREA: mm²

TITLE:
2.00mm PITCH SIL HORIZONTAL SOCKET, SMT TAPE & REEL
DRAWING NUMBER:
M22-654XX42R

Customer Information Sheet

DRAWING No.: M22-654XX42R

IF IN DOUBT - ASK

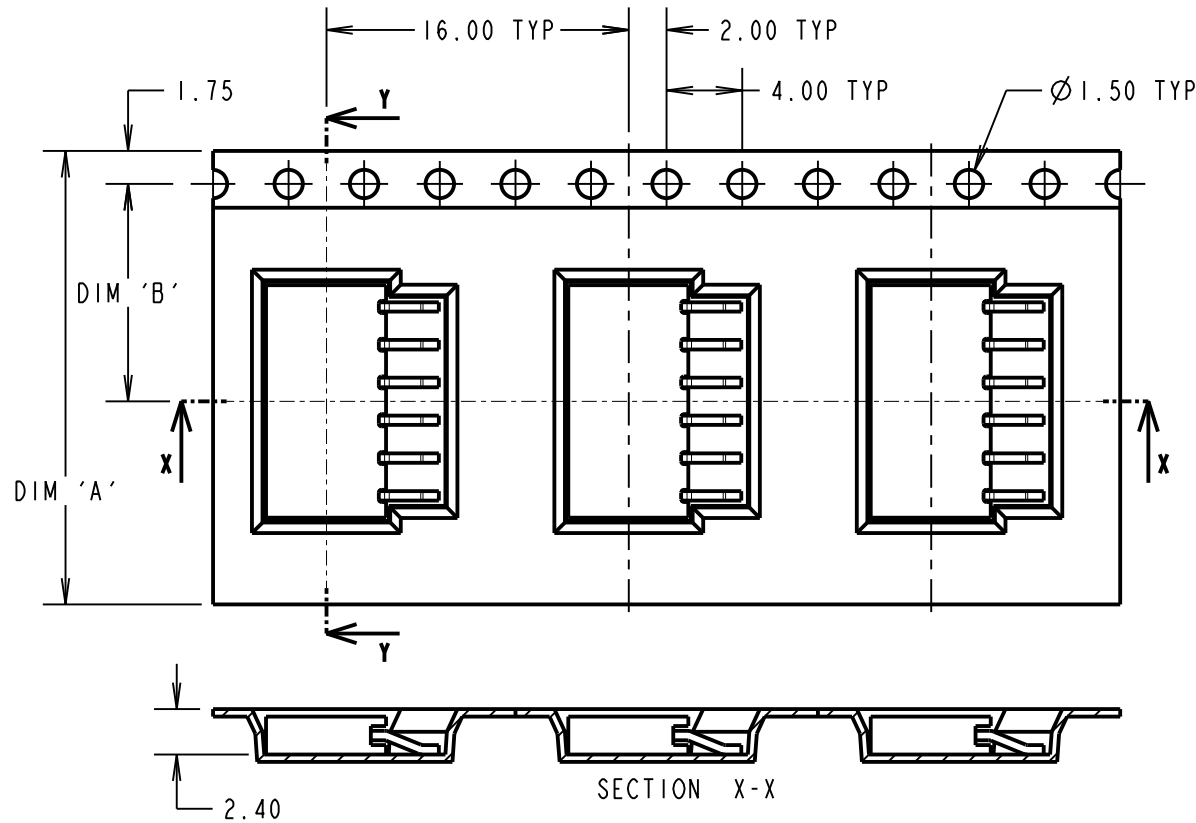
©

NOT TO SCALE

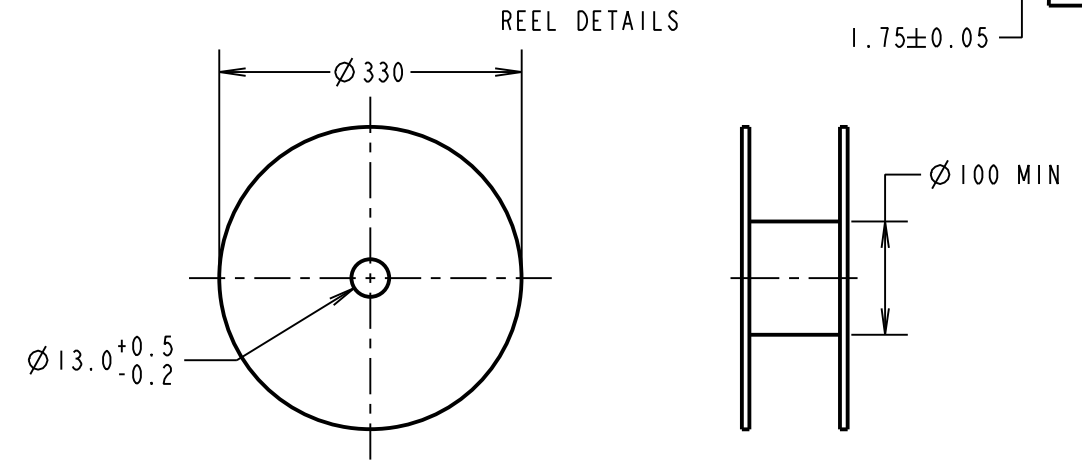
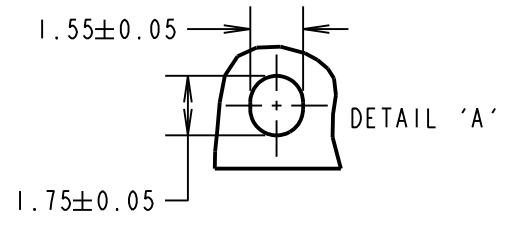
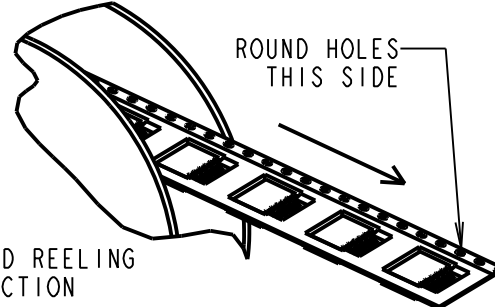
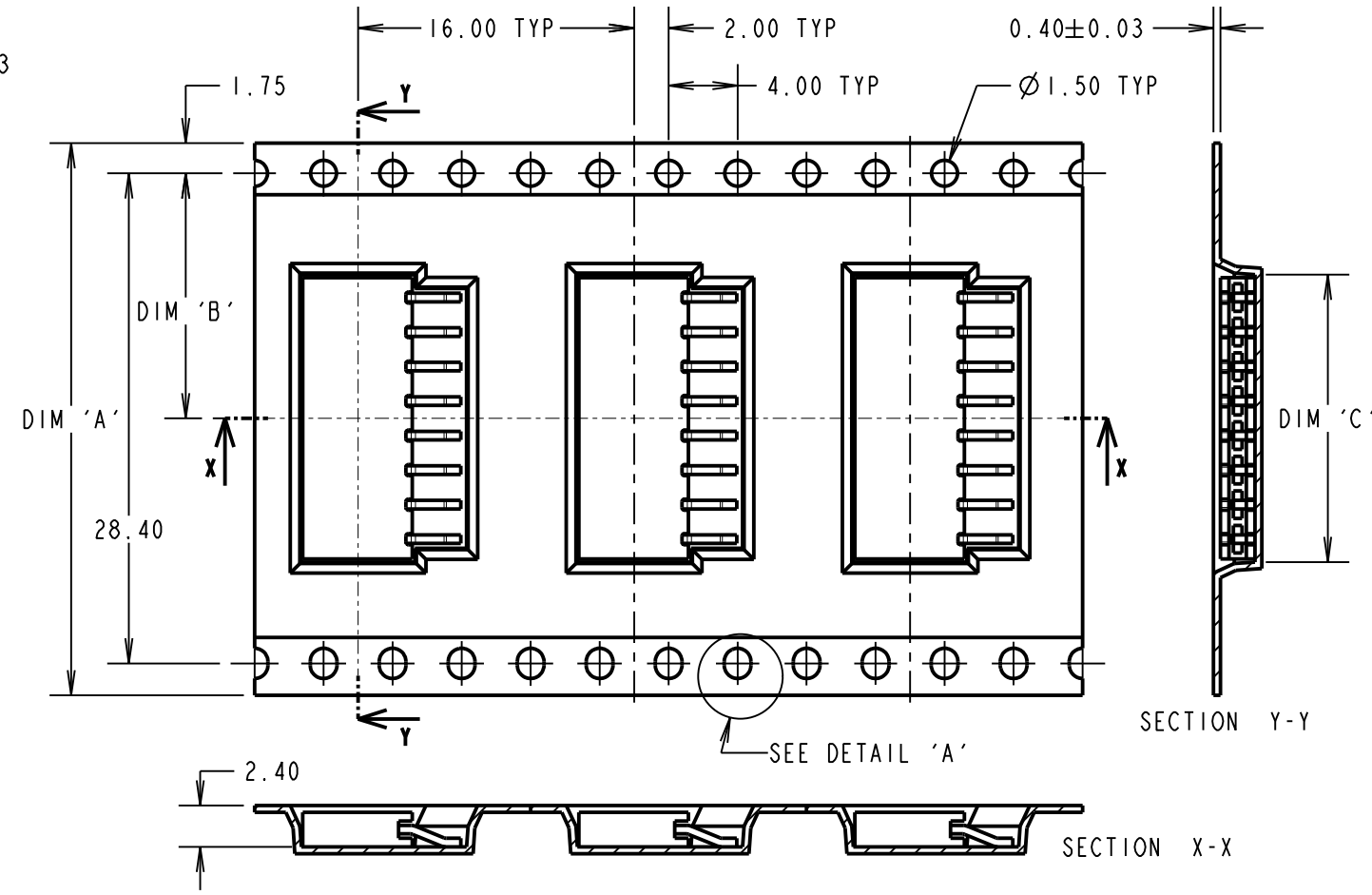
THIRD ANGLE PROJECTION

ALL DIMENSIONS IN mm

TAPE DETAILS FOR
02, 03, 04, 05 & 06 WAY



TAPE DETAILS FOR
08 & 10 WAY



ORDER CODE:
M22-654XX42R
No. OF CONTACTS PER ROW: _____
02-06, 08, 10

- NOTES:
1. PRODUCT IS TAPE AND REELED IN GENERAL ACCORDANCE WITH EIA-481 (ELECTRONIC INDUSTRIES ASSOCIATION).
2. FOR CONNECTOR DETAILS AND SPECIFICATIONS, SEE SHEET 3.

PART No.	DIMENSION			REEL QUANTITY
	DIM 'A'	DIM 'B'	DIM 'C'	
M22-6540242R	16.00 ± 0.30	7.50 ± 0.15	4.65	1300
M22-6540342R	24.00	11.50	6.65	
M22-6540442R			8.65	
M22-6540542R			10.65	
M22-6540642R			12.65	
M22-6540842R			16.65	
M22-6541042R	32.00	14.20	20.65	

HARWIN
www.harwin.com
technical@harwin.com

THIS DRAWING AND ANY INFORMATION OR DESCRIPTIVE MATTER SET OUT HEREON ARE CONFIDENTIAL AND COPYRIGHT PROPERTY OF THE HARWIN GROUP AND MUST NOT BE DISCLOSED, LOANED, COPIED OR USED FOR MANUFACTURING, TENDERING OR FOR ANY OTHER PURPOSE WITHOUT THEIR WRITTEN PERMISSION.

TOLERANCES
X. = ± 1mm
X.X = ± 0.50mm
X.XX = ± 0.10mm
X.XXX = ± 0.01mm
ANGLES = ± 5°
UNLESS STATED

MATERIAL:
SEE SHEET 3
FINISH: SEE SHEET 3
S/AREA: mm²

TITLE:
2.00mm PITCH SIL HORIZONTAL SOCKET, SMT TAPE & REEL
DRAWING NUMBER:
M22-654XX42R
SHT 4 OF 4

MGP	2	28.01.19	21764
NAME	ISS.	DATE	C/NOTE
APPROVED: MGP			
CHECKED: RP			
DRAWN: M.PERREN			
CUSTOMER REF.:			
ASSEMBLY DRG:			

Mouser Electronics

Authorized Distributor

Click to View Pricing, Inventory, Delivery & Lifecycle Information:

[Harwin:](#)

[M22-6540242R](#) [M22-6540342R](#) [M22-6540442R](#) [M22-6540542R](#) [M22-6540642R](#) [M22-6540842R](#) [M22-6541042R](#)