

Customer Information Sheet

DRAWING No.: H8501-XX

SHEET 2 OF 2

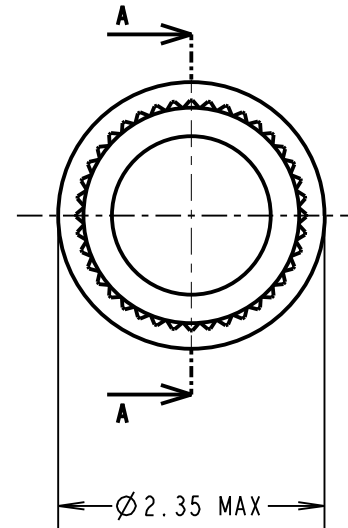
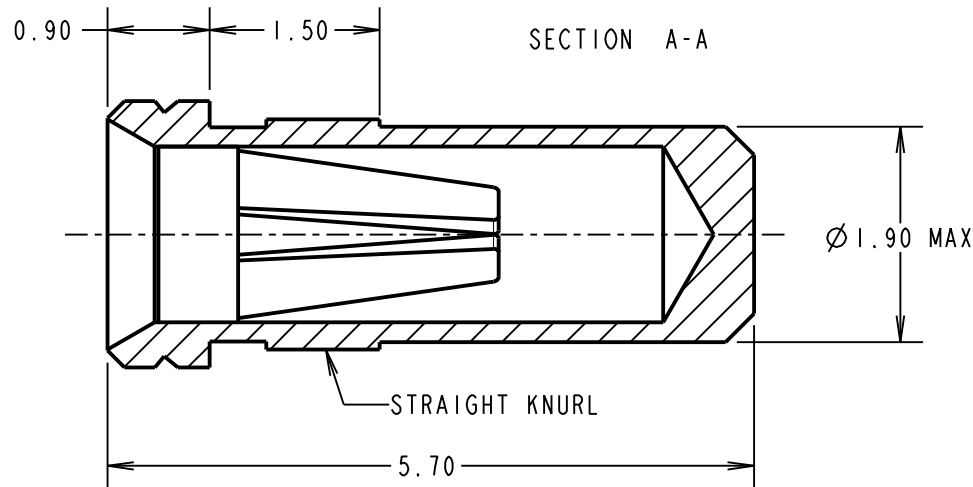
IF IN DOUBT - ASK

©

NOT TO SCALE

THIRD ANGLE PROJECTION

ALL DIMENSIONS IN mm



ORDER CODE:

H8501-XX

FINISH:

01 = 100% TIN SHELL, GOLD CLIP
05 = GOLD SHELL, GOLD CLIP
46 = 100% TIN SHELL, 100% TIN CLIP

SPECIFICATION:

MATERIAL:
CONTACT SHELL = BRASS
CONTACT CLIP = BERYLLIUM COPPER

FINISH:
01 = 4 μ 100% TIN SHELL, 0.15 μ GOLD CLIP
05 = 0.1 μ GOLD SHELL, 0.15 μ GOLD CLIP
46 = 4 μ 100% TIN SHELL, 3 μ 100% TIN CLIP

ELECTRICAL:
CURRENT RATING AT 25°C = 10A MAX
CURRENT RATING AT 85°C = 7.5A MAX
CONTACT RESISTANCE = 25 m Ω MAX

MECHANICAL:
INSERTION FORCE (\varnothing 0.8mm GAUGE) = 5N MAX, 1.5N MIN
WITHDRAWAL FORCE (\varnothing 0.8mm GAUGE) = 3.0N MAX, 1.0N MIN
DURABILITY:

01, 05 = 1000 OPERATIONS
46 = 100 OPERATIONS

ENVIRONMENTAL:
OPERATING TEMPERATURE = -55°C TO +125°C

PACKING:
BAG

NOTES:

- FOR ELECTRICAL/MECHANICAL SPECIFICATION, SEE COMPONENT SPECIFICATION C010XX (LATEST ISSUE).
- MAXIMUM PIN LENGTH = 4.65mm.
- RECOMMENDED MOUNTING HOLE SIZE = \varnothing 1.96-1.91mm.
- RECOMMENDED MATING PIN SIZE = \varnothing 0.85-0.60mm.
- MAXIMUM CONTACT DEPTH = 3.30mm.
- SOCKET MUST BE SOLDERED TO PCB TO ENSURE ELECTRICAL CONNECTION.

MSP	14	12.10.15	13128
NAME	ISS.	DATE	C/NOTE
APPROVED:		M.PERREN	
CHECKED:		M.PLESTED	
DRAWN:		A. J. FILLINGHAM	
CUSTOMER REF.:			
ASSEMBLY DRG:			

HARWIN

www.harwin.com
technical@harwin.com

THIS DRAWING AND ANY INFORMATION OR DESCRIPTIVE MATTER SET OUT HEREON ARE CONFIDENTIAL AND COPYRIGHT PROPERTY OF THE HARWIN GROUP AND MUST NOT BE DISCLOSED, LOANED, COPIED OR USED FOR MANUFACTURING, TENDERING OR FOR ANY OTHER PURPOSE WITHOUT THEIR WRITTEN PERMISSION.

TOLERANCES

X. = \pm 1mm
X.X = \pm 0.50mm
X.XX = \pm 0.10mm
X.XXX = \pm 0.01mm
ANGLES = \pm 5°
UNLESS STATED

MATERIAL:

SEE ABOVE

FINISH: SEE ABOVE

S/AREA: mm²

TITLE:

\varnothing 0.8mm SOCKET ASSEMBLY

DRAWING NUMBER:

H8501-XX

SHT
2 OF 2

Mouser Electronics

Authorized Distributor

Click to View Pricing, Inventory, Delivery & Lifecycle Information:

[Harwin:](#)

[H8501-01](#) [H8501-05](#) [H8501-46](#)