

Customer Information Sheet

DRAWING No.: D3086-XX

SHEET 2 OF 2

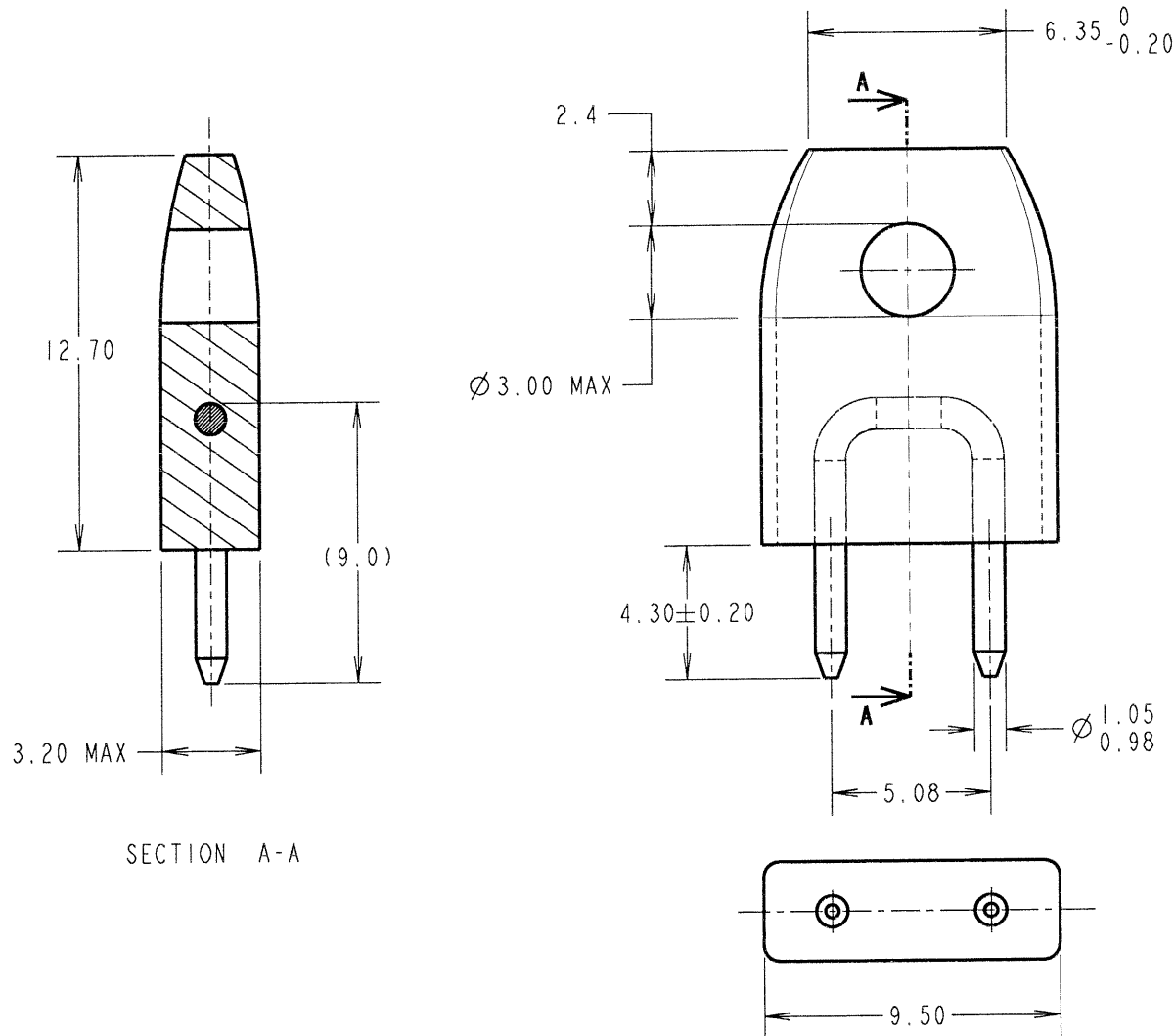
IF IN DOUBT - ASK

©

NOT TO SCALE

THIRD ANGLE PROJECTION

ALL DIMENSIONS IN mm



SPECIFICATION:

MATERIAL:

INSULATOR = PBT, UL94V-0

CONTACT = BRASS

FINISH:

CONTACT = 0.1μ GOLD OVER NICKEL

ELECTRICAL:

CURRENT RATING = 10A AT 20°C

PACKING:

BAG

ORDER CODE:

D3086-XX

INSULATOR COLOUR

- 97 = BLUE
- 98 = BLACK
- 99 = RED

JMB	8	05.01.07	9636
NAME	ISS.	DATE	C/NOTE
APPROVED: <i>J.S.</i>			
CHECKED: <i>M. P. ...</i>			
DRAWN: K. SHIER			
CUSTOMER REF.:			
ASSEMBLY DRG:			

HARWIN

THIS DRAWING AND ANY INFORMATION OR DESCRIPTIVE MATTER SET OUT HEREON ARE CONFIDENTIAL AND COPYRIGHT PROPERTY OF THE HARWIN GROUP AND MUST NOT BE DISCLOSED, LOANED, COPIED OR USED FOR MANUFACTURING, TENDERING OR FOR ANY OTHER PURPOSE WITHOUT THEIR WRITTEN PERMISSION.

TOLERANCES

- X. = ±1mm
- X.X = ±0.25mm
- X.XX = ±0.10mm
- X.XXX = ±0.01mm

ANGLES = ±5°

UNLESS STATED

MATERIAL:

SEE ABOVE

FINISH: SEE ABOVE

S/AREA:

mm²

TITLE:

∅1mm INSULATED SHORTING LINK

DRAWING NUMBER:

D3086-XX

SHT
2 OF 2

HARWIN INC
U.S.A.
TEL: (812) 542 2540
FAX: (812) 542 2541

HARWIN PLC
U.K.
TEL: 023 9231 4545
FAX: 023 9231 4590

HARWIN PTE
SINGAPORE
TEL: 65 6779 4909
FAX: 65 6779 3868

Mouser Electronics

Authorized Distributor

Click to View Pricing, Inventory, Delivery & Lifecycle Information:

[Harwin:](#)

[D3086-99](#) [D3086-97](#) [D3086-98](#)