

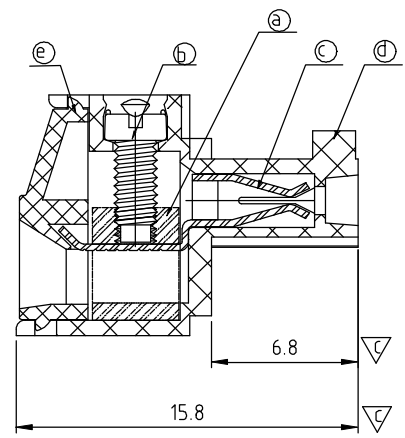
**TJ xx 11 x 3 xxxx G**

02 2 CONTACTS  
 03 3 CONTACTS  
 ... ..  
 24 24 CONTACTS

Color  
 0 Black (RAL9005)  
 2 Red (RAL3001/D)  
 3 Orange (RAL2011/P)  
 4 Yellow (RAL1018/A)  
 5 Green (RAL6018/T)  
 6 Blue (RAL5015/A)  
 8 Grey (RAL7035/D)  
 9 White (RAL1102)  
 C Green (RAL6018/U)

G RoHS compliant (lead<4%)  
 In copper Alloy

0000 Standard @ Logo  
 000A Standard ANY Logo  
 0091 Standard ANY Logo  
 Any special item by customer request, please contact sales department.



N = Number of poles  
 Dim A = N x 3.5  
 Dim B = (N-1) x 3.5

Poles	Dim A	Dim B
2p-6p	±0.15	±0.15
7p-12p	±0.20	±0.20
13p-18p	±0.25	±0.25
19p-24p	±0.30	±0.30

SIGN	DATE	DESCRIPTION	APPROVER
△	11/01'05	Electrical standard changed.	Marvin
△	04/20'06	2p to 6p with wedge is changed.	Marvin
△	8/13'06	Added VDE standard	梁仁松
△	10/30'06	Part No. is changed	Marvin
△	07/09'10	The solid and Stranded wire are changed from 16-26 to 16-28	Chen Bo
△	07/09'10	Rmrove the CSA mark	Chen Bo
△	08/12'13	update the drawing	Chen Bo

THIS IS CAD DRAWING, DO NOT REVISE MANUALLY!!!

**Material**

- Item a Clamp: Brass (CuZn) Ni plated
- Item b Terminal screw: Steel Zinc plating "-" slot type
- Item c Female contact: PhBz, Tin plated
- Item d Terminal (housing): PA66 (UL94V-0)
- Item e Terminal cover: PA66 (UL94V-0)

**△ △ △ Electrical cULus/VDE**

- Voltage rating: 300VAC/300VAC
- Current rating: 10A/10.5A
- Wire range: 1.5mm<sup>2</sup>
- Solid wire (AWG): 16-28
- Stranded wire (AWG): 16-28
- Torque: 3Lb-In/0.2Nm
- Screw: M2
- Wire strip length: 6-7mm
- Withstanding Voltage: 1.6KV/2.5KV
- Operating temperature: -40°C to +115°C
- Safety Approval: cULus VDE
- Critical dimension: ∇

<b>ANYTEK</b>				<b>CUSTOMER COPY</b>			
TITLE		TJ-3.5mm Series 2p-24p		DWG NO.		8TJ0501	
PART NO.		TJxx11x3xxxxG		CUST NO.			
APPROVED		DESIGNED		DRAWN		Tolerance	
		Chen Bo 08/12'13		Chen Bo 08/12'13		X. ±0.50	
						X.X ±0.30	
						X.XX ±0.10	
						X° ±1°	
				SHEET: 01/01		UNIT: mm	
						SCALE: NONE	
						REV.: H	

# Mouser Electronics

Authorized Distributor

Click to View Pricing, Inventory, Delivery & Lifecycle Information:

## Amphenol:

<a href="#"><u>20020004-C041B01LF</u></a>	<a href="#"><u>20020004-C031B01LF</u></a>	<a href="#"><u>20020004-C042B01LF</u></a>	<a href="#"><u>TJ03115300J0G</u></a>	<a href="#"><u>TJ04110300J0G</u></a>	
<a href="#"><u>TJ0611030000G</u></a>	<a href="#"><u>TJ1611530000G</u></a>	<a href="#"><u>TJ0711530000G</u></a>	<a href="#"><u>TJ0511030000G</u></a>	<a href="#"><u>TJ0811030000G</u></a>	<a href="#"><u>TJ1011030000G</u></a>
<a href="#"><u>TJ0211530000G</u></a>	<a href="#"><u>TJ0311630000G</u></a>	<a href="#"><u>TJ0511530000G</u></a>	<a href="#"><u>TJ0611530000G</u></a>	<a href="#"><u>TJ0611530900G</u></a>	<a href="#"><u>TJ0811530000G</u></a>
<a href="#"><u>TJ0911530000G</u></a>	<a href="#"><u>TJ1111530000G</u></a>	<a href="#"><u>TJ1311530000G</u></a>	<a href="#"><u>TJ1411530000G</u></a>	<a href="#"><u>TJ1511530000G</u></a>	<a href="#"><u>TJ1711530000G</u></a>
<a href="#"><u>TJ1811530000G</u></a>	<a href="#"><u>TJ1911530000G</u></a>	<a href="#"><u>TJ2011530000G</u></a>	<a href="#"><u>TJ2111530000G</u></a>	<a href="#"><u>TJ2211530000G</u></a>	<a href="#"><u>TJ2311530000G</u></a>
<a href="#"><u>TJ2411530000G</u></a>	<a href="#"><u>TJ0411530000G</u></a>	<a href="#"><u>TJ1211530000G</u></a>	<a href="#"><u>TJ1011530000G</u></a>	<a href="#"><u>TJ0311830000G</u></a>	<a href="#"><u>TJ1111030000G</u></a>
<a href="#"><u>TJ1211030000G</u></a>	<a href="#"><u>TJ1511830000G</u></a>	<a href="#"><u>TJ1411830000G</u></a>	<a href="#"><u>TJ1611030000G</u></a>	<a href="#"><u>TJ2011830000G</u></a>	<a href="#"><u>TJ0511630000G</u></a>
<a href="#"><u>TJ1011830000G</u></a>	<a href="#"><u>TJ1911030000G</u></a>	<a href="#"><u>TJ1711030000G</u></a>	<a href="#"><u>TJ2411830000G</u></a>	<a href="#"><u>TJ2411030000G</u></a>	<a href="#"><u>TJ1811830000G</u></a>
<a href="#"><u>TJ2011030000G</u></a>	<a href="#"><u>TJ1711830000G</u></a>	<a href="#"><u>TJ2311030000G</u></a>	<a href="#"><u>TJ1811030000G</u></a>	<a href="#"><u>TJ2111830000G</u></a>	<a href="#"><u>TJ2211030000G</u></a>
<a href="#"><u>TJ0611830000G</u></a>	<a href="#"><u>TJ0711830000G</u></a>	<a href="#"><u>TJ0711030000G</u></a>	<a href="#"><u>TJ0911830000G</u></a>	<a href="#"><u>TJ0811830000G</u></a>	<a href="#"><u>TJ0611630000G</u></a>
<a href="#"><u>TJ0911030000G</u></a>	<a href="#"><u>TJ0511830000G</u></a>	<a href="#"><u>TJ1311830000G</u></a>	<a href="#"><u>TJ1511030000G</u></a>	<a href="#"><u>TJ1311030000G</u></a>	<a href="#"><u>TJ1611830000G</u></a>
<a href="#"><u>TJ1911830000G</u></a>	<a href="#"><u>TJ1111830000G</u></a>	<a href="#"><u>TJ1211830000G</u></a>	<a href="#"><u>TJ1411030000G</u></a>	<a href="#"><u>TJ0411630000G</u></a>	<a href="#"><u>TJ0411830000G</u></a>
<a href="#"><u>TJ2211830000G</u></a>	<a href="#"><u>TJ0311030000G</u></a>	<a href="#"><u>TJ0211030000G</u></a>	<a href="#"><u>TJ0411430000G</u></a>	<a href="#"><u>TJ0211830000G</u></a>	<a href="#"><u>TJ2111030000G</u></a>
<a href="#"><u>TJ2311830000G</u></a>					