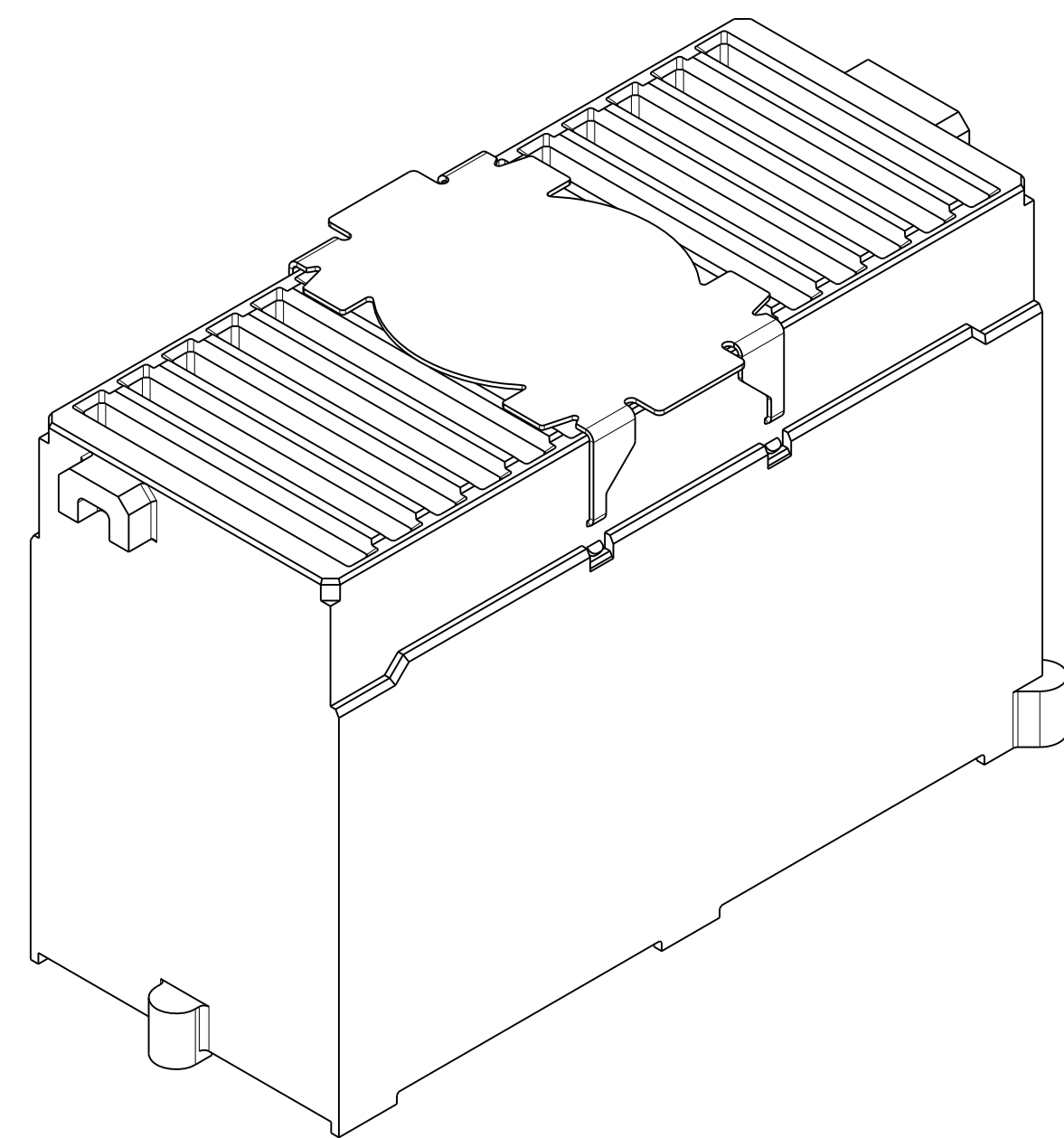


ZONE	REV	SCR NUMBER	DESCRIPTION	BY	DATE	APPROVED
ALL	A	DMAN-8W JP4Y.VER01	NEW RELEASE	D.MALOON	07/31/12	D.McNAMARA
	B	CSAS-962LNK.VER01	UPDATED NOTE 4	HCL-WS	03/22/13	D.McNAMARA

DRW NO.	SH	REV
C-380-3316-500	1	B

TABLE 1	
PART NUMBER ①	DESCRIPTION
380-3316-X00	RECEPTACLE ASSY. 4 PAIR, 24.5 MM HIGH, 15 WAFERS, 100 OHMS W/LOSSY
380-3416-X00	RECEPTACLE ASSY. 4 PAIR, 24.5 MM HIGH, 15 WAFERS, 85 OHMS W/LOSSY
380-3516-X00	RECEPTACLE ASSY. 4 PAIR, 24.5 MM HIGH, 15 WAFERS, 100 OHMS NO LOSSY
380-3616-X00	RECEPTACLE ASSY. 4 PAIR, 24.5 MM HIGH, 15 WAFERS, 85 OHMS NO LOSSY



ISOMETRIC VIEW
SCALE 4/1

NOTES:

- ① ASSEMBLY PART NUMBER VARIES WITH PLATING OPTION AS FOLLOWS:
FOR NI SULFAMATE UNDERPLATE, 8TH DIGIT OF P/N IS 2.
FOR NANO NI UNDERPLATE, 8TH DIGIT OF P/N IS 4.
2. MAT'L:
HOUSING/WAFERS - LCP
VACUUM CAP - SST
CONTACTS - HIGH PERFORMANCE COPPER ALLOY, PER MTS-506.
3. 0.71 DIA SOLDER SPHERES WILL NOT BE PERFECTLY SPHERICAL AFTER REFLOW ATTACHMENT.
- ④ OPTIONAL HOLES FOR VISUAL INSPECTION OF CONNECTOR ALIGNMENT. THESE ARE NOT REQUIRED
- ⑤ SOLDER BALL PROTRUSION BELOW HOUSING.
- ⑥ SEE TECHNICAL BULLETIN TB-2241 FOR DETAILED SMT PROCESSING AND PCB FOOT PRINT RECOMMENDATIONS.
- ⑦ MAXIMUM CO-PLANARITY OF THE BALL FIELD.
- ⑧ MAXIMUM RADIAL TRUE POSITION OF ANY SOLDER BALL IN RELATION TO AN IDEAL BEST FIT GRID.
9. TOLERANCES DO NOT APPLY TO REFERENCE DIMENSIONS SHOWN IN "Ø" OR BASIC DIMENSIONS SHOWN IN "□".
10. REFER TO FILE 380-3X16-XX0.STP FOR SIMPLIFIED 3D MODEL OF ASSEMBLY.

TOLERANCES	DESIGN 09/10/10 D.MALOON
0.0 ±0.25	DRAWN 06/24/11 D.MALOON
0.00 ±0.13	CHK 07/31/12 D.McNAMARA
0.000 ± -	APVD 07/31/12 D.McNAMARA
ANGLES ± 3°	

Amphenol TCS A Division of Amphenol Corporation 200 Innovative Way, Nashua, NH 03082 603.879.3000	
TITLE	RECEPTACLE ASSEMBLY, 15 WAFERS InfinX 4 PAIR, 24.5 MM HIGH
PART NO.	SEE TABLE 1
REV	N/A

UNLESS OTHERWISE SPECIFIED DIMENSIONS ARE IN MM. DECIMAL MARKER IS A PERIOD
INTERPRET PER ASME Y14.5M
CODE IDENT 31413

CUSTOMER USE DRAWING	
DRAWING NO.	C-380-3316-500
PART	Q1155-RCP-ASSY-4X24_5X15-VC DRAWING C-380-3316-500
SIZE	D
SCALE	4/1
SHEET	1 OF 4

DRW NO. C-380-3316-500 SH 1 REV B

8

7

6

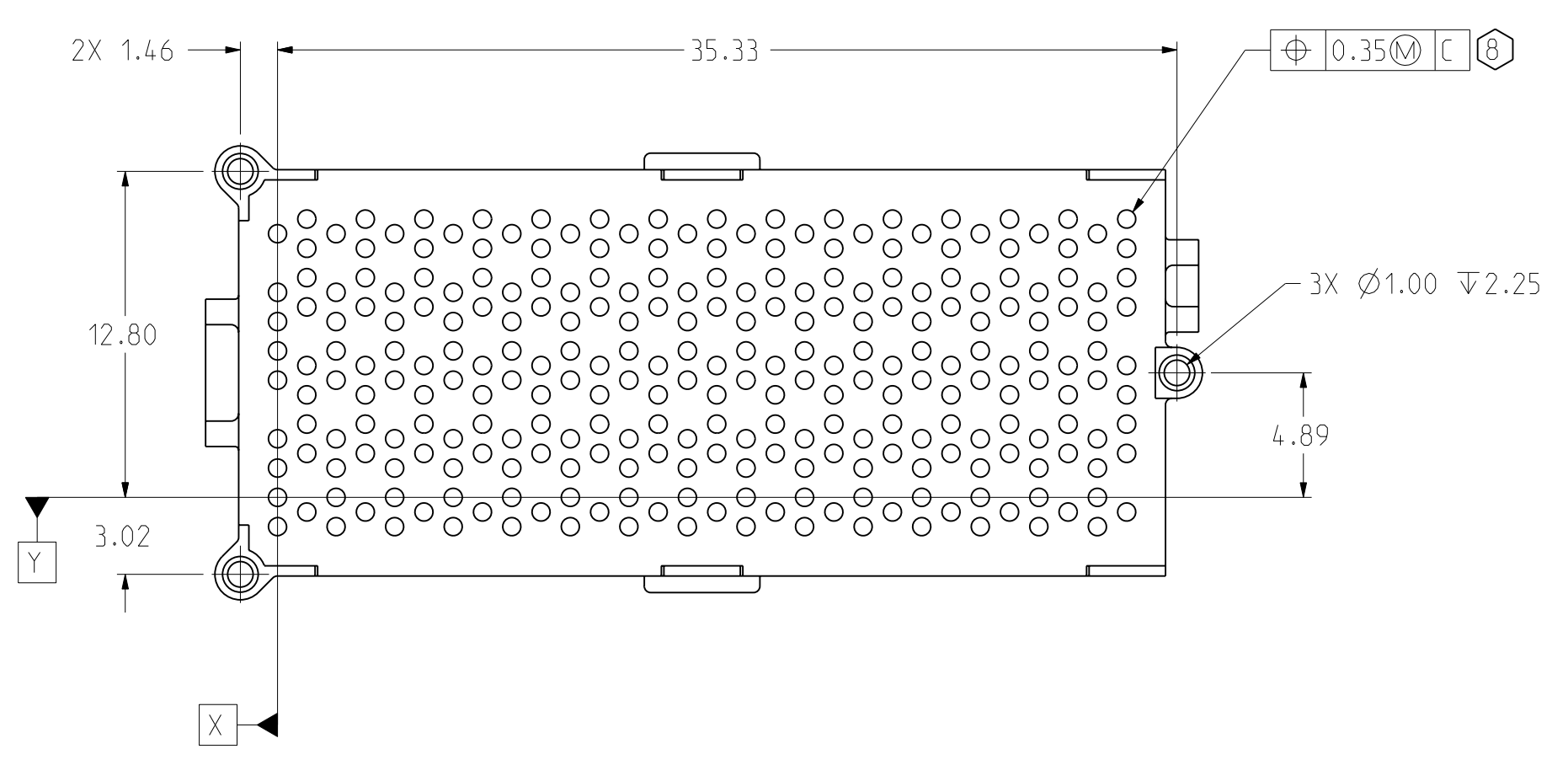
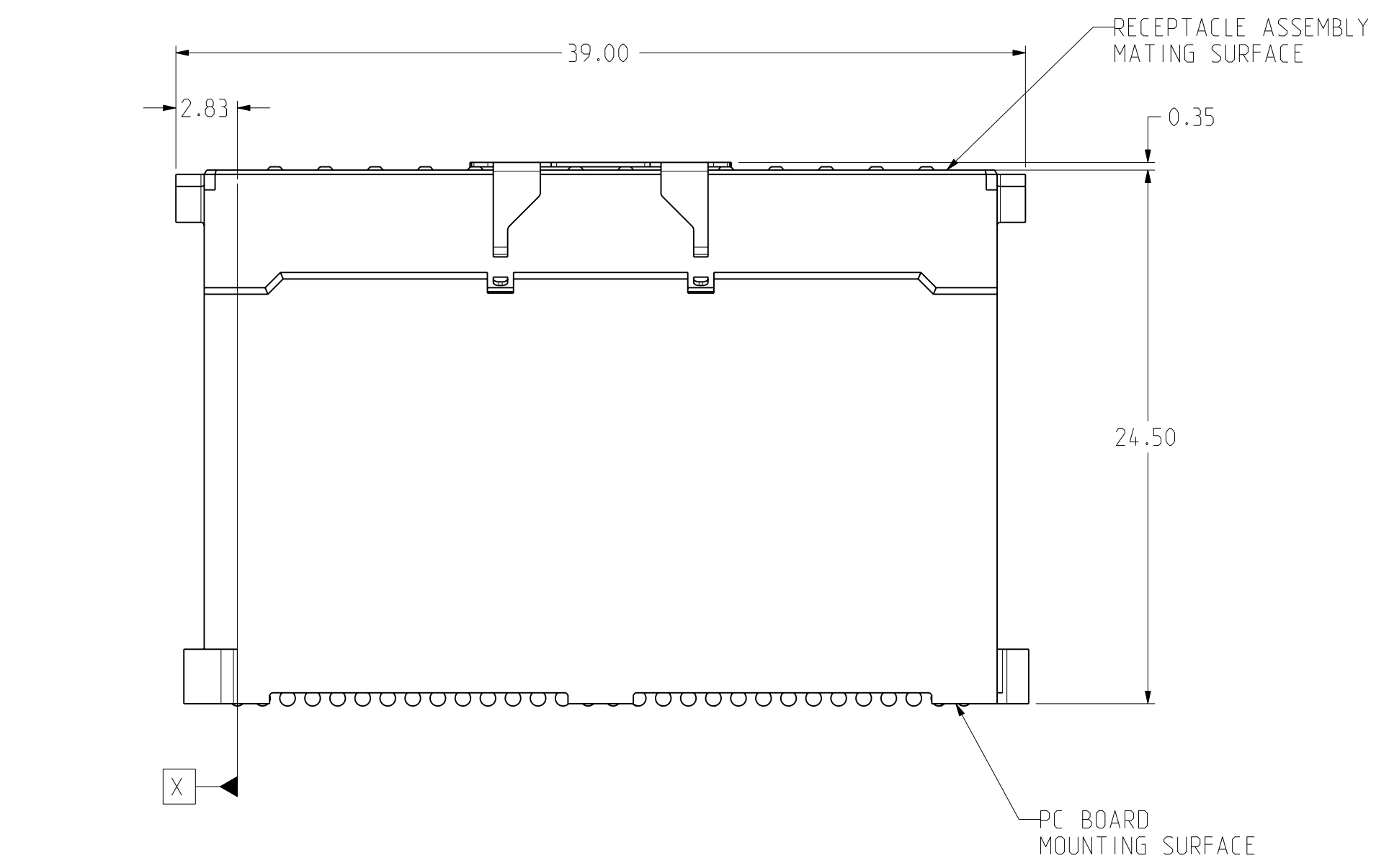
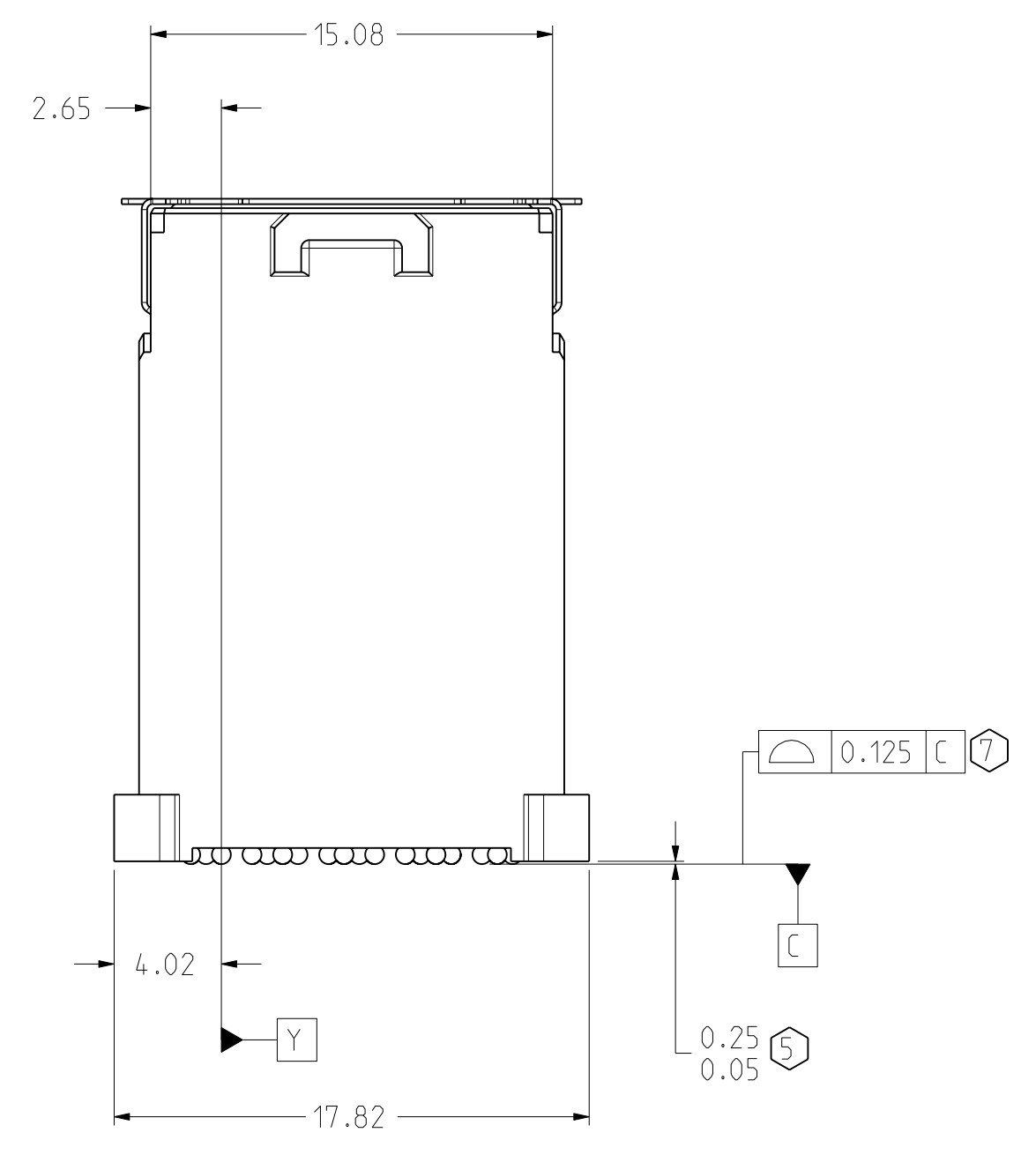
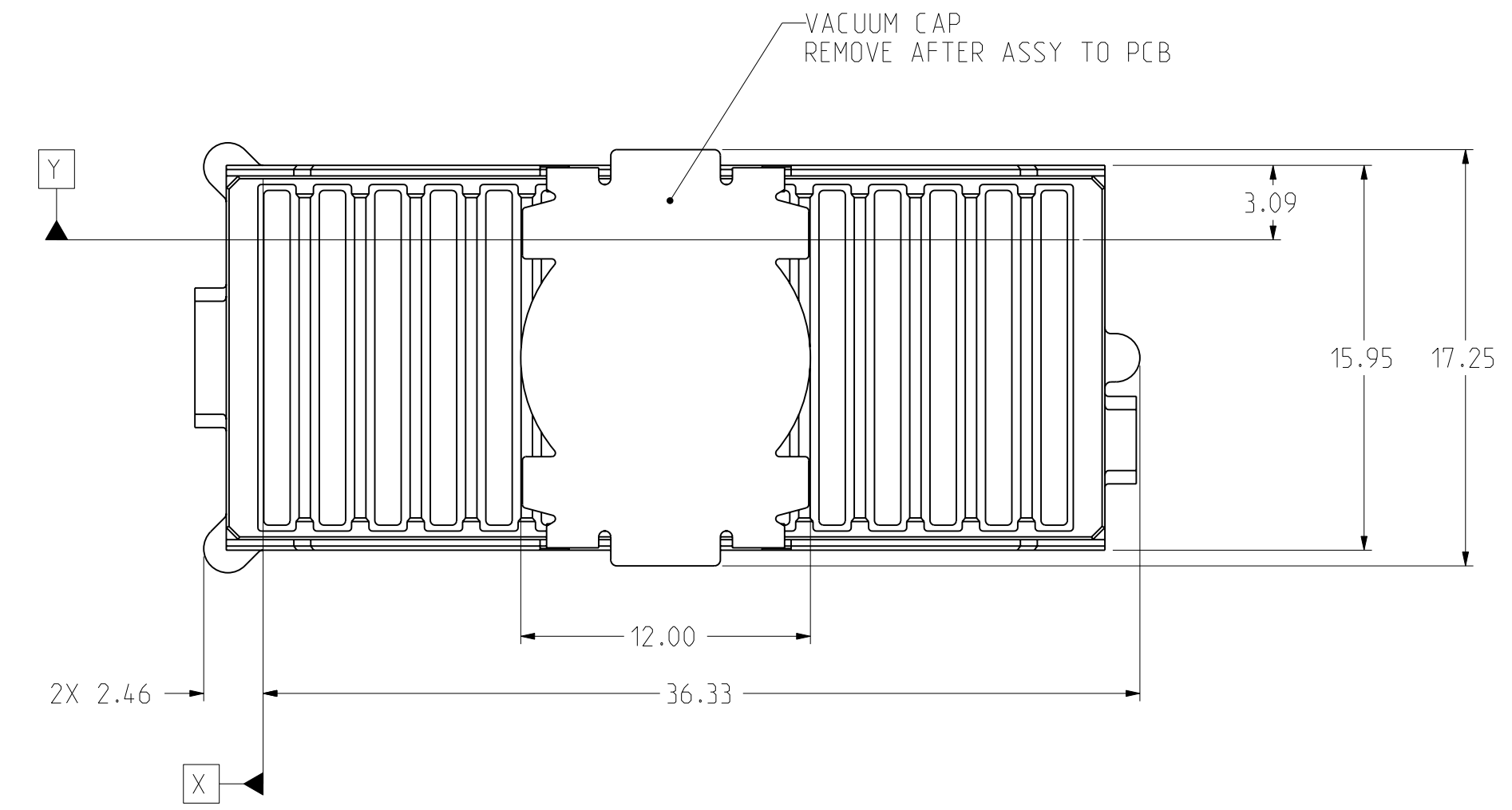
5

4

3

DRW NO. C-380-3316-500 SH 2 REV B

ZONE	REV	SCR NUMBER	DESCRIPTION	BY	DATE	APPROVED
			SEE SHEET 1			



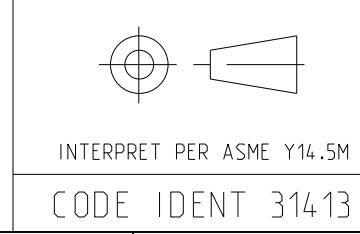
TOLERANCES	DESIGN	09/10/10
0.0	±0.25	D.MALOON
0.00	±0.13	D.MALOON
0.000	± -	D.McNAMARA
ANGLES	± 3°	D.McNAMARA

Amphenol TCS
 A Division of Amphenol Corporation
 200 Innovative Way, Nashua, NH 03082 603.879.3000

TITLE RECEPTACLE ASSEMBLY, 15 WAFERS
 InfinX 4 PAIR, 24.5 MM HIGH

PART NO. SEE TABLE 1
 DRAWING NO. C-380-3316-500

UNLESS OTHERWISE SPECIFIED DIMENSIONS ARE IN MM. DECIMAL MARKER IS A PERIOD.



CUSTOMER USE
 DRAWING

REV	DATE	BY	DESCRIPTION
1.13			PART Q1155-RCP-ASSY-4X24_5X15-VC
B.0			DRAWING C-380-3316-500

SIZE D SCALE 4/1 SHEET 2 OF 4

DRW NO. C-380-3316-500

SH 2 REV B

8

7

6

5

4

3

2

1

8

7

6

5

4

3

DRW NO. C-380-3316-500

SH 3 REV B

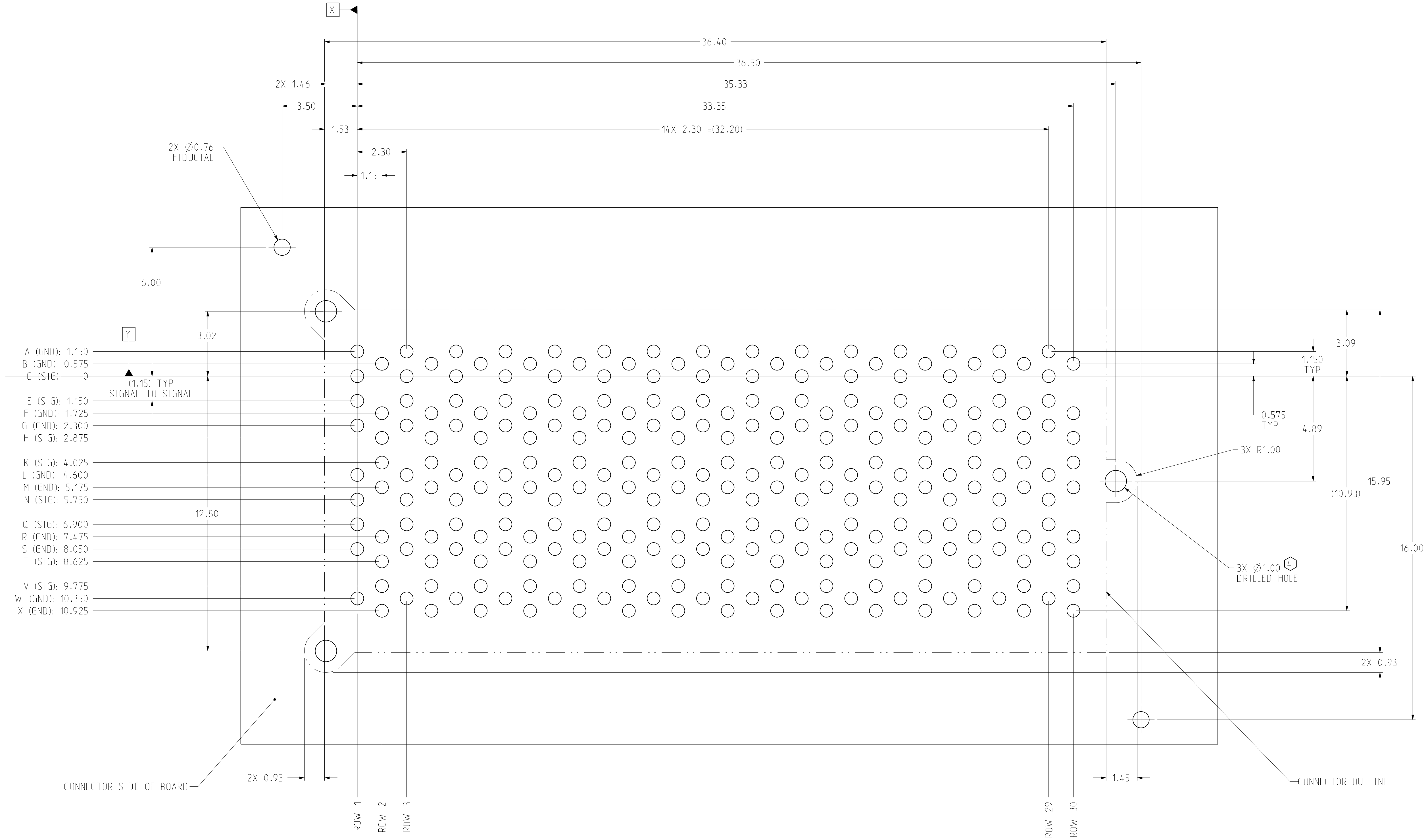
ZONE	REV	SCR NUMBER	DESCRIPTION	BY	DATE	APPROVED
			SEE SHEET 1			

D

C

B

A



- A (GND): 1.150
- B (GND): 0.575
- C (SIG): 0
- E (SIG): 1.150
- F (GND): 1.725
- G (GND): 2.300
- H (SIG): 2.875
- K (SIG): 4.025
- L (GND): 4.600
- M (GND): 5.175
- N (SIG): 5.750
- Q (SIG): 6.900
- R (GND): 7.475
- S (GND): 8.050
- T (SIG): 8.625
- V (SIG): 9.775
- W (GND): 10.350
- X (GND): 10.925

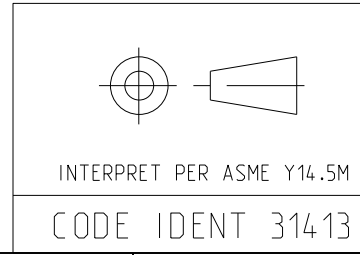
6 PAD LAYOUT
SCALE 10/1

TOLERANCES	DESIGN	09/10/10
0.0	±0.25	D.MALOON
0.00	±0.13	D.MALOON
0.000	±	D.McNAMARA
ANGLES	± 3°	D.McNAMARA

Amphenol TCS
A Division of Amphenol Corporation
200 Innovative Way, Nashua, NH 03082 603.879.3000

TITLE
RECEPTACLE ASSEMBLY, 15 WAFERS
InfinX 4 PAIR, 24.5 MM HIGH

PART NO. SEE TABLE 1
REV N/A



CUSTOMER USE
DRAWING

DRAWING NO. C-380-3316-500	REV B
PART Q1155-RCP-ASSY-4X24_5X15-VC	1.13
DRAWING C-380-3316-500	B.0
SIZE D	SCALE 3/1
SHEET 3 OF 4	

8

7

6

5

4

3

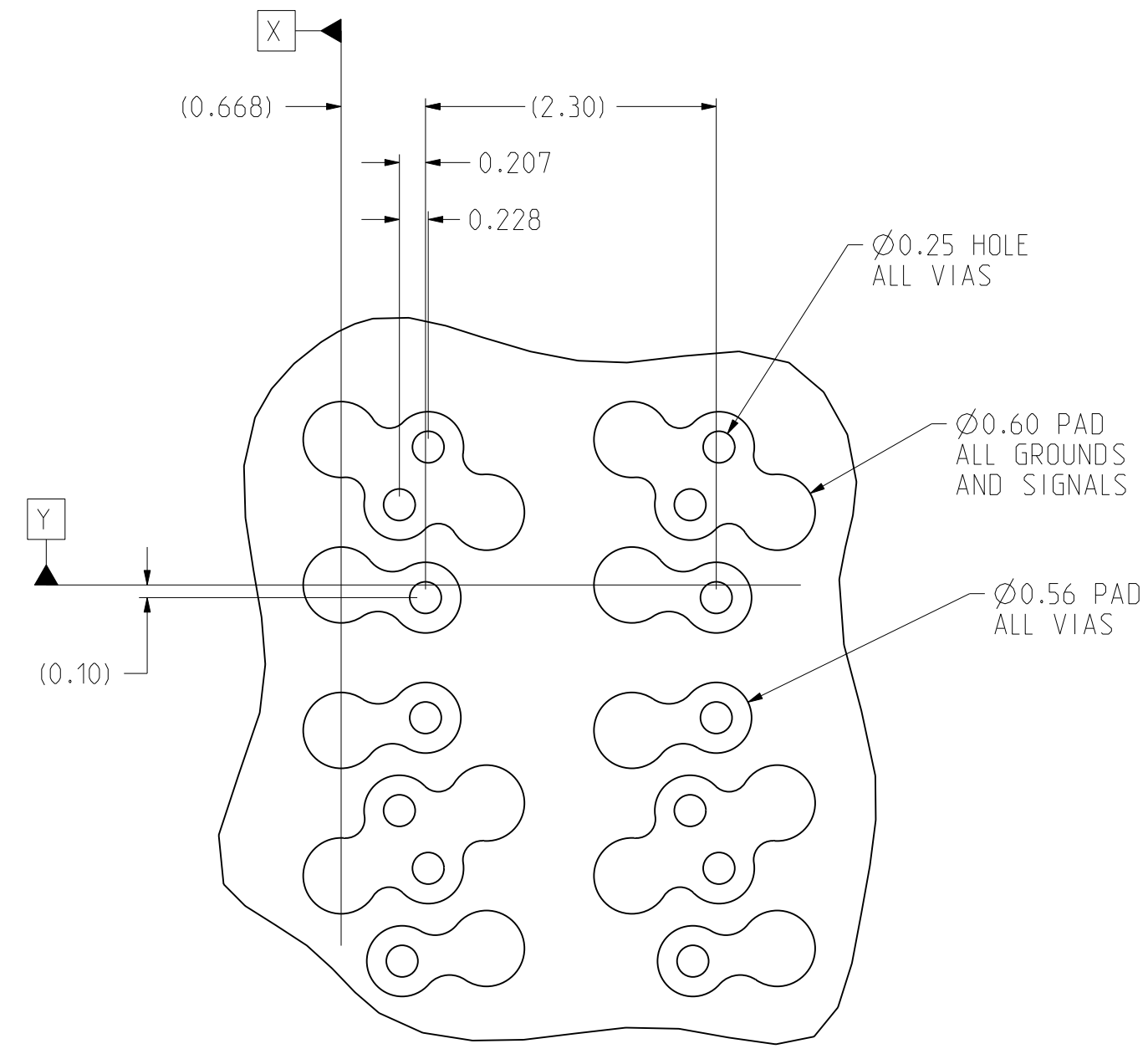
2

1

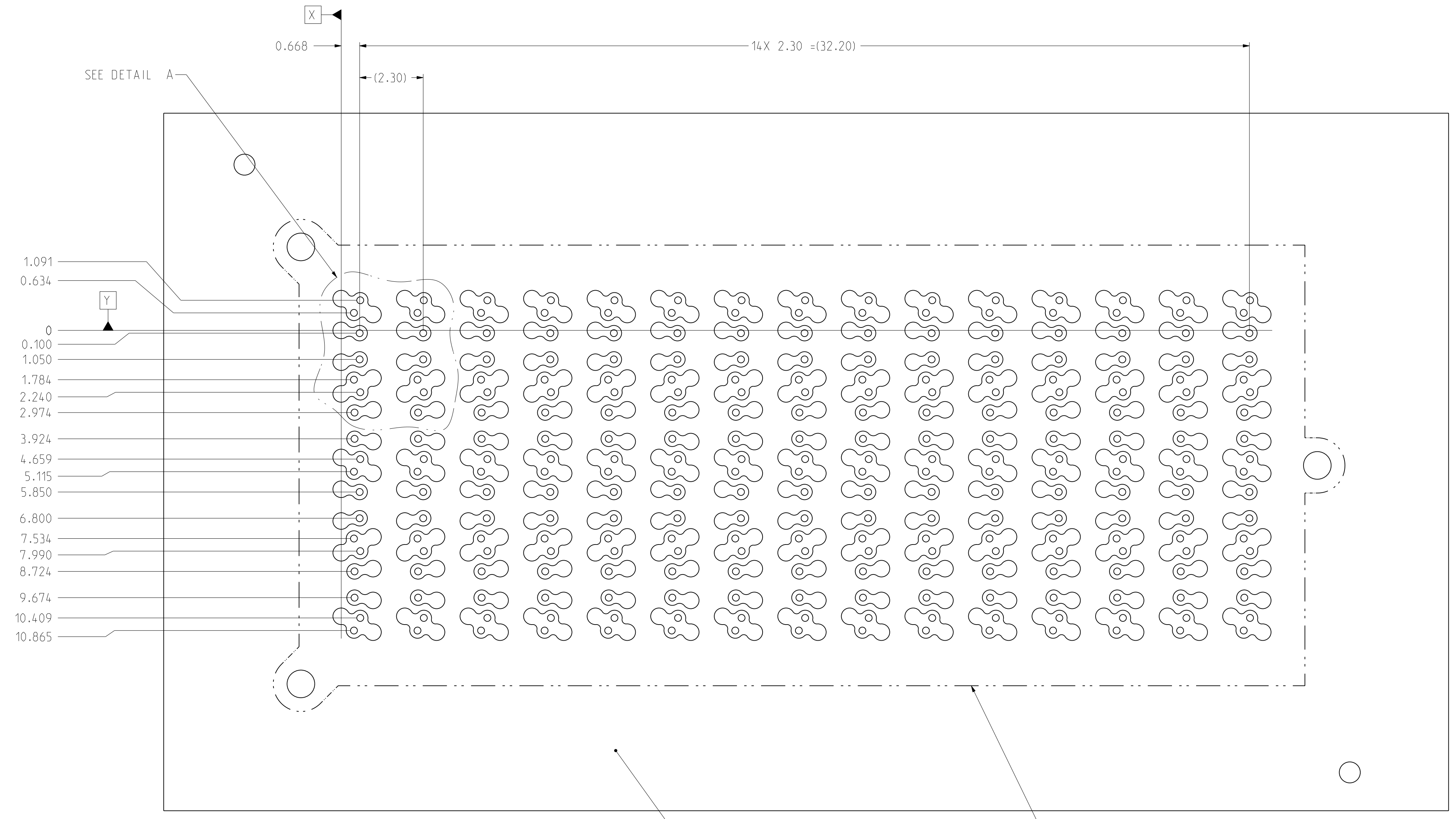
DRW NO. C-380-3316-500

SH 3 REV B

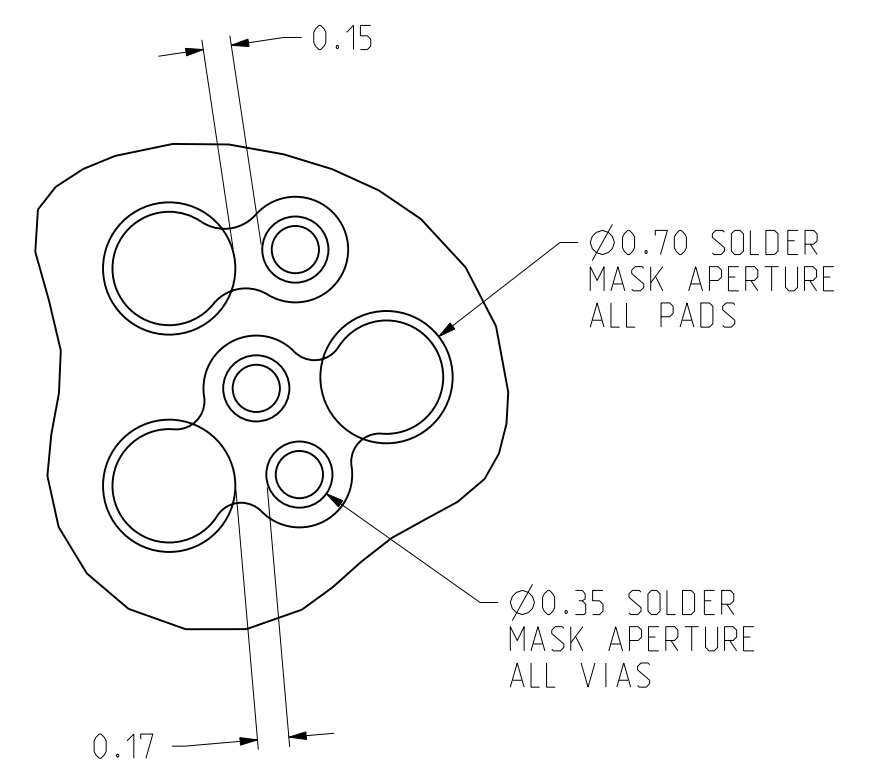
DRW NO.	C-380-3316-500	SH	4	REV	B	
ZONE	REV	SCR NUMBER	DESCRIPTION	BY	DATE	APPROVED
			SEE SHEET 1			



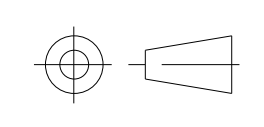
DETAIL A
SCALE 20/1



VIA LAYOUT
SCALE 10/1



SOLDER MASK DETAIL
SCALE 25/1

TOLERANCES		DESIGN 09/10/10 D.MALOON	Amphenol TCS A Division of Amphenol Corporation 200 Innovative Way, Nashua, NH 03082 603.879.3000
0.0	±0.25	DRAWN 06/24/11 D.MALOON	
0.00	±0.13	CHK 07/25/12 D.McNAMARA	
0.000	± -	APVD 07/25/12 D.McNAMARA	
ANGLES	± 3°		TITLE RECEPTACLE ASSEMBLY, 15 WAFERS InfinX 4 PAIR, 24.5 MM HIGH
UNLESS OTHERWISE SPECIFIED DIMENSIONS ARE IN MM. DECIMAL MARKER IS A PERIOD			PART NO. SEE TABLE 1 REV N/A
 INTERPRET PER ASME Y14.5M CODE IDENT 31413			DRAWING NO. C-380-3316-500 PART Q1155-RCP-ASSY-4X24_5X15-VC DRAWING C-380-3316-500 1.13 B.0
SIZE	D	SCALE 3/1	SHEET 4 OF 4

**CUSTOMER USE
DRAWING**

C-380-3316-500

SH 4
REV B

Mouser Electronics

Authorized Distributor

Click to View Pricing, Inventory, Delivery & Lifecycle Information:

[Amphenol:](#)

[380-3415-400](#) [380-3416-400](#) [380-3434-400](#) [380-3436-400](#)