

Series **D xx S 24A 6 xx 09 LF**

Number of contacts
09 , 15 , 25 , 37 , 50

Contacts
S : Socket

Plating
6 = 500 Mating / Unmating Mini

Packaging specification
Tray

See Note RoHS

Termination

Code	Type	Foot Print/Pitch	Length of termination	PCB thickness
24A	Straight version	6 / 2.84mm	2	1.6

Mounting Options

RL	Insert M3
RV	Female Screw UNC 4-40
RX	Insert UNC 4-40

NOTE RoHS INFORMATION

- The "LF" product meet european union Directives and other country regulations asdescribed in GS-22-008.
- The housing will whistand exposure to 260^o peak temperature for 30 seconds in a convection , infra-red or vapor reflow oven. See application notes/procedures if are available.
- Termination plating spec:1.27 μ Nickel mini,2.5 to 7.5 μ Sn(pure mate)
- Shell plating : Nickel bright
- Accessories : Sn pure bright
- Packaging spec ; See GS-14-920

Product Specification

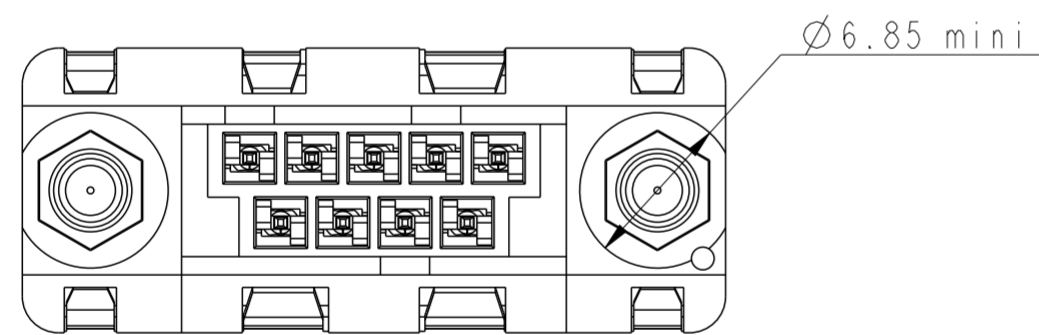
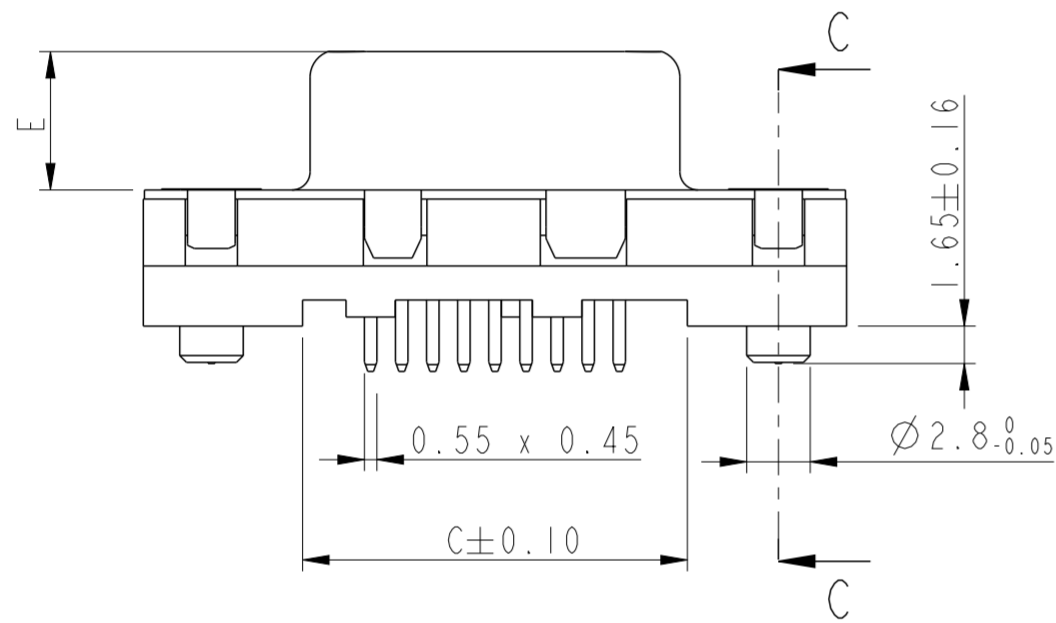
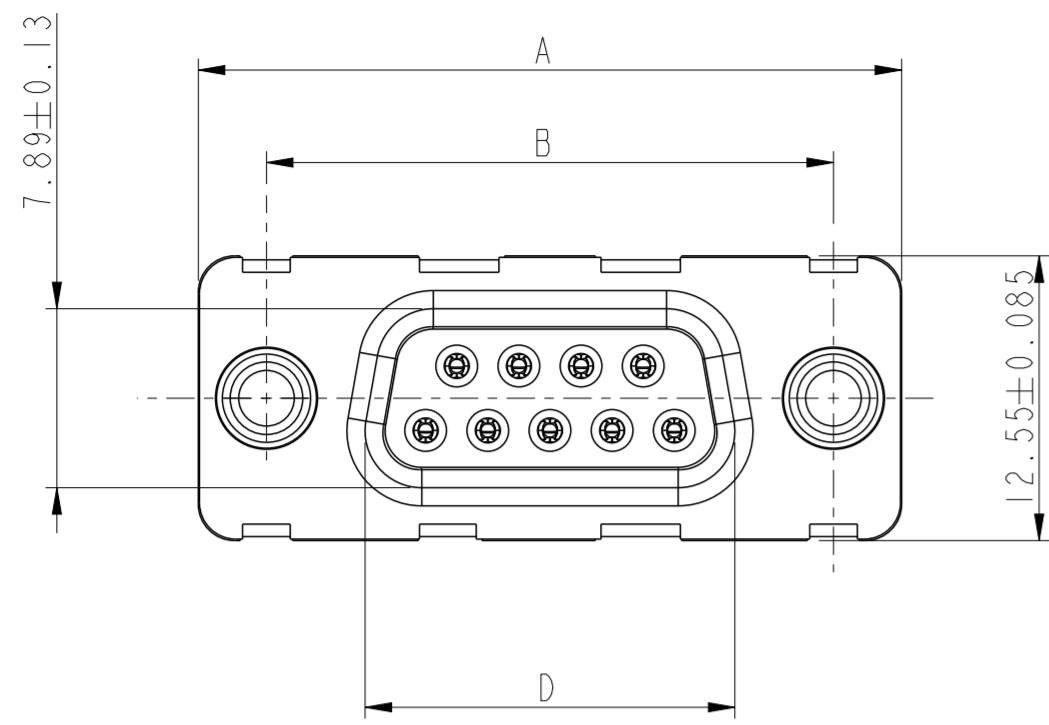
see : GS-12-372

Packaging Specification

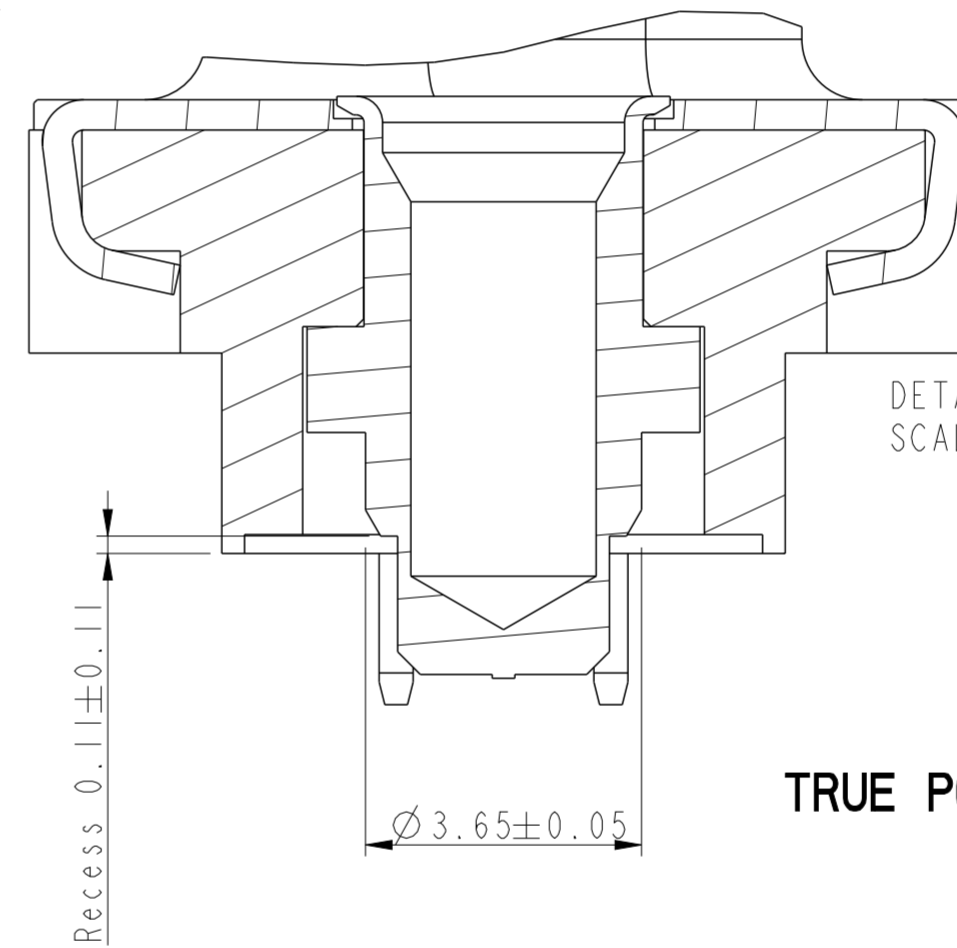
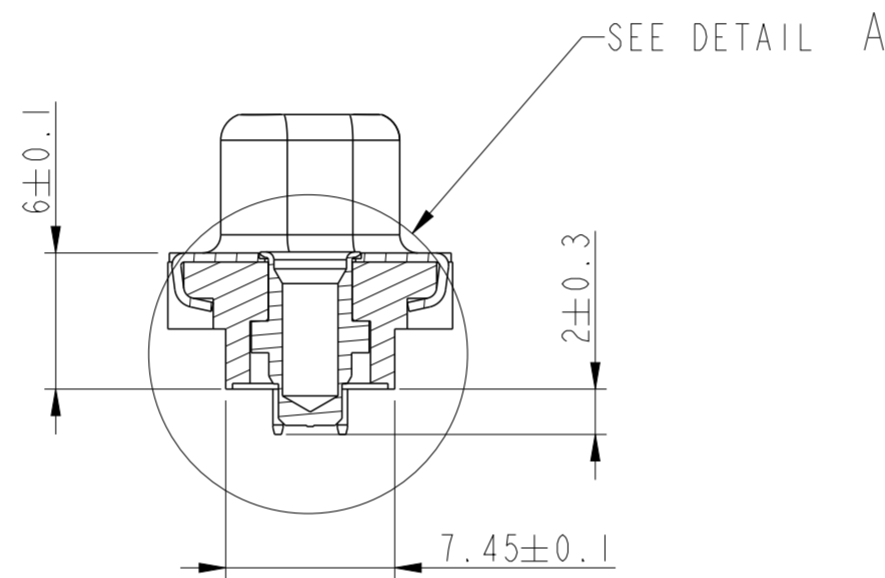
See GS-14-1061

www.fciconnect.com		surface <input checked="" type="checkbox"/> ISO 1302	tolerance std ISO 406 ISO 1101	projection	mm
TOLERANCES UNLESS OTHERWISE SPECIFIED					
Dr	P. CRON	02/02/06	ANGULAR	0.X ±0.3	size A3
Eng	H. LEGALLIC	02/02/06	LINEAR	0.XX ±0.1	Scale 1:1
Chr	NIRMAL G	2010-10-14	0° ±2°	0.XXX ±0.05	ECN 110-0197
Appr	SUDHIR V	2010-10-14	Product family	-	Spec ref -
FCi		SUB DELTA D PIP FEMALE H=2		dwg no C01-8646-0879	Rev. H
straight for tray		SEE TABLE		CUSTOMER	sheet 1 of 3
catalog no					

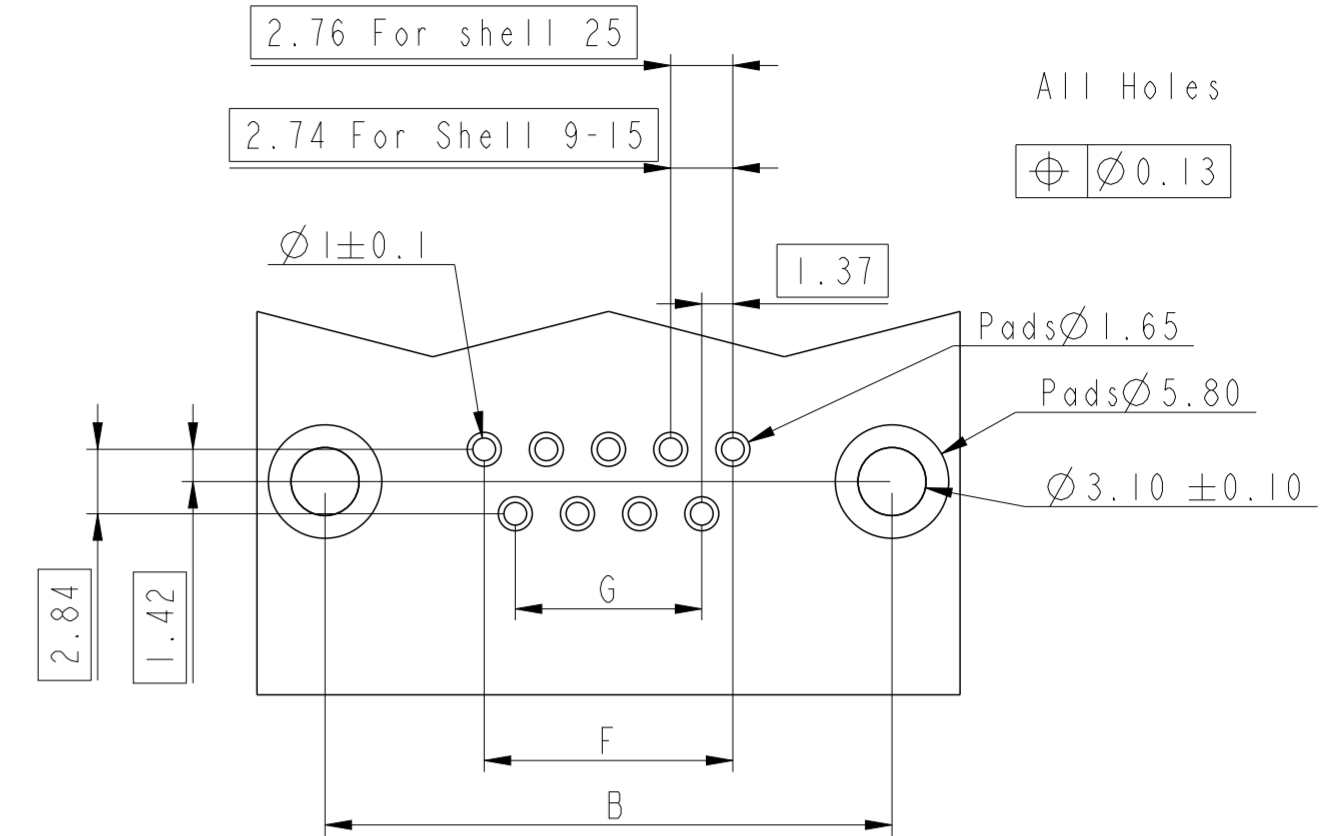
rev	ecn no	dr	date
H	110-0197	NG	2010-10-14
-	-	-	-
D	LS06.0220	PCR	2006/12/21
E	LS07-0007	PCR	2007/01/11
F	LS07-0050	HLE	2007/02/03
G	110-0120	NG	2010-05-27



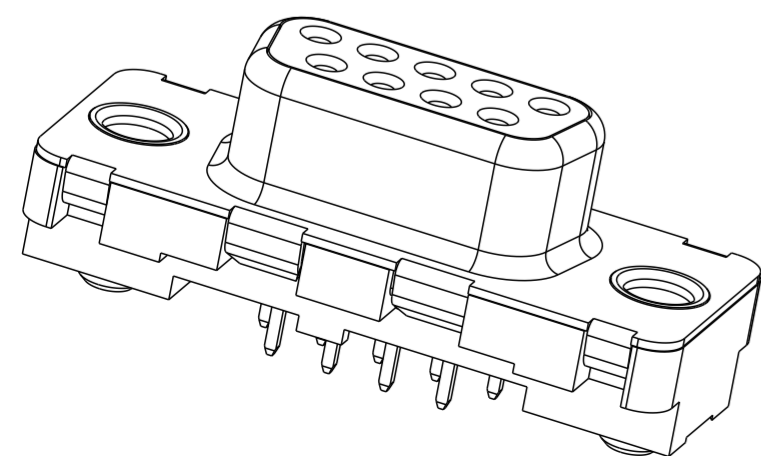
SECTION C-C



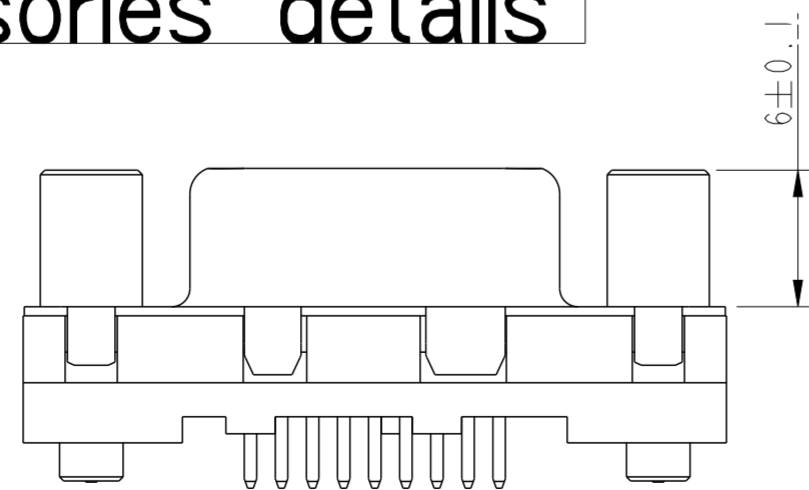
PCB Card Drilling dimensions and Pads recommended (after plating - Thickness : 1.60 mm)



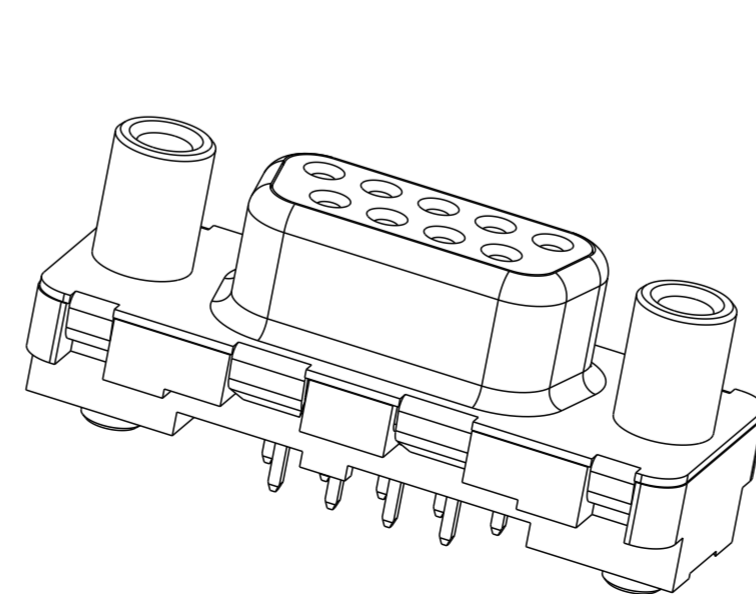
Accessories details



TYPE RX / RL



TYPE RV



SHELL	P/N LEAD FREE	A ±0.38	B ±0.10	C ±0.10	D +0.25 0	F	G
09	D09S24A6xx09LF	30.81	24.99	16.96	16.21	10.96	8.22
15	D15S24A6xx09LF	39.14	33.32	25.18	24.54	19.18	16.44
25	D25S24A6xx09LF	53.03	47.04	39.12	38.25	33.12	30.36
37	D37S24A6xx09LF	69.32	63.50	55.68	54.71	49.68	46.92

www.fciconnect.com		surface	tolerance std	projection	mm
		ISO 1302	ISO 406 ISO 1101		
TOLERANCES UNLESS OTHERWISE SPECIFIED					
Dr	P. CRON	02/02/06	ANGULAR	0.x ±0.3	size A2 Scale 1:1
Eng	H. LEGALLIC	02/02/06	LINEAR	0.xx ±0.1	
Chr	NIRMAL G	2010-10-14	0° ±2°	0.xxx ±0.05	ECN 110-0197
Appr	SUDHIR V	2010-10-14	Product family	-	Spec ref -
		title SUB DELTA D PIP FEMALE H=2		dwg no C01-8646-0879	Rev. H
		straight for tray		SEE TABLE	CUSTOMER sheet 2 of 3
		catalog no			

1

2

3

4

A

B

C

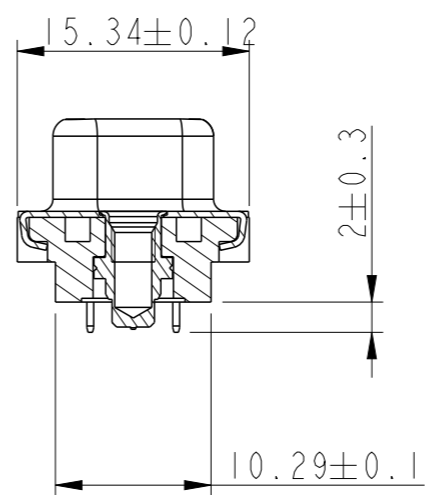
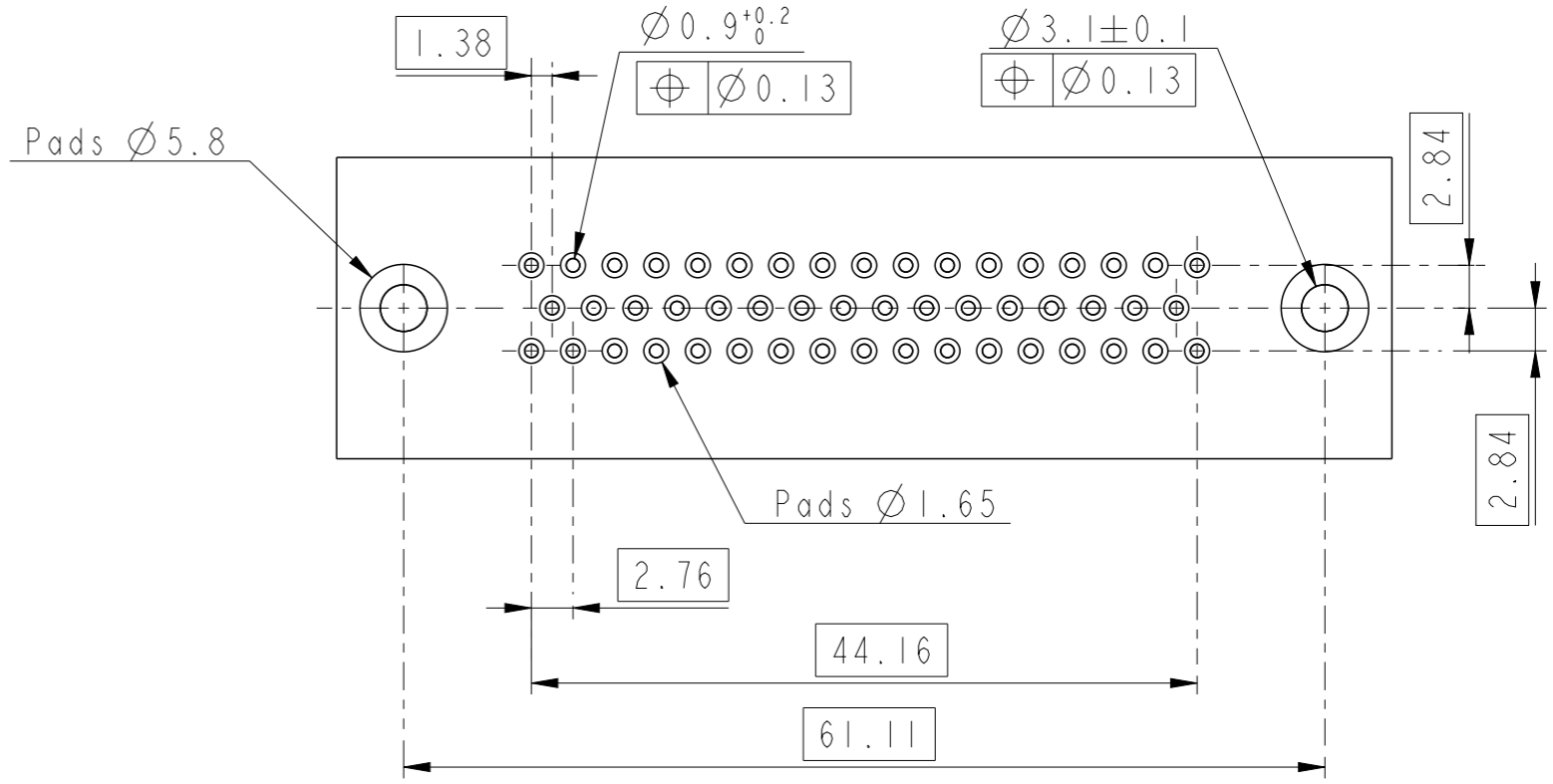
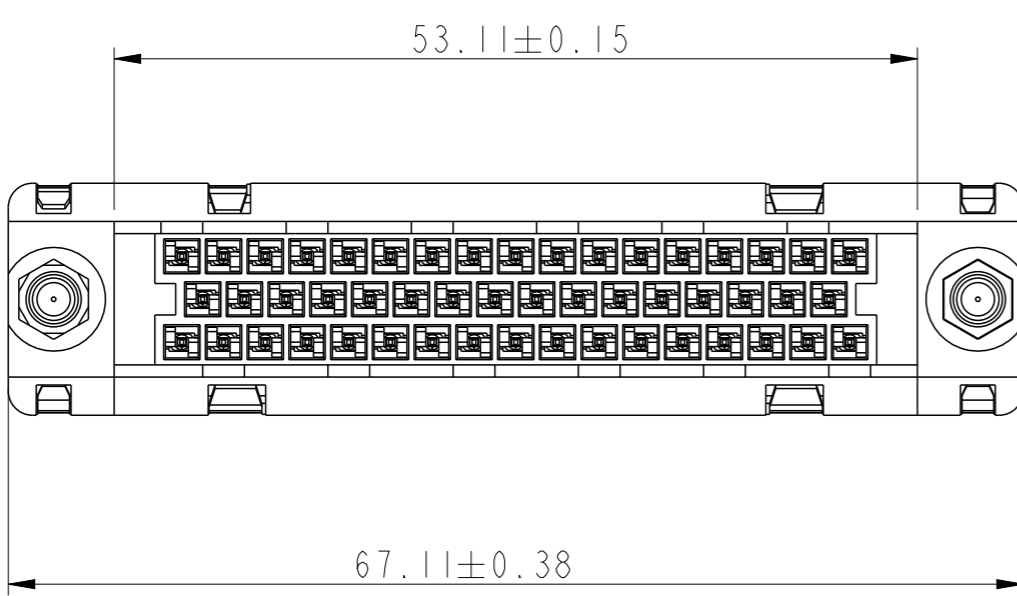
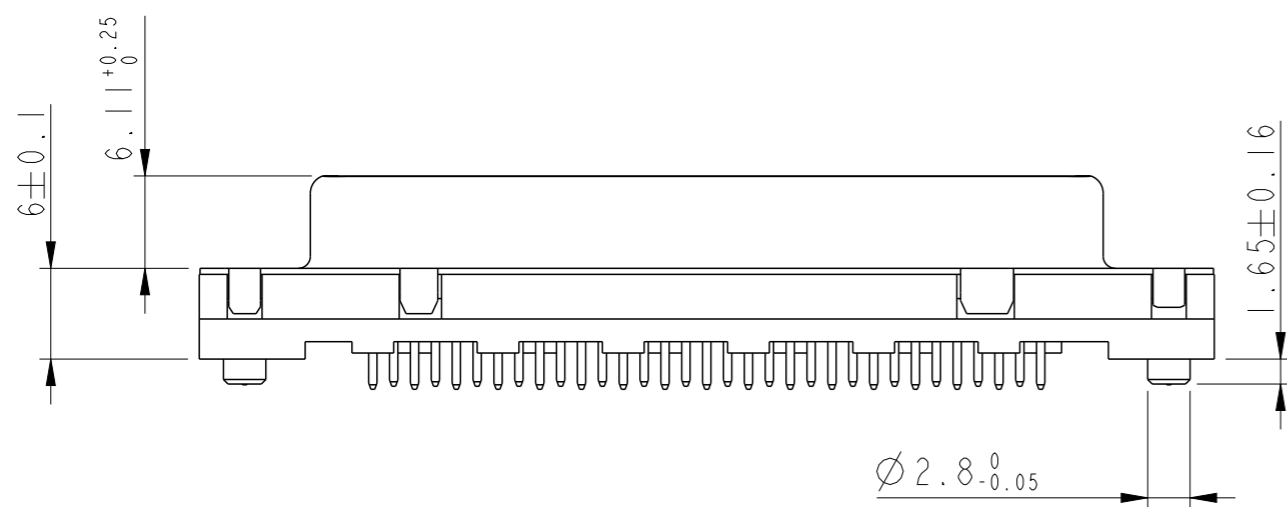
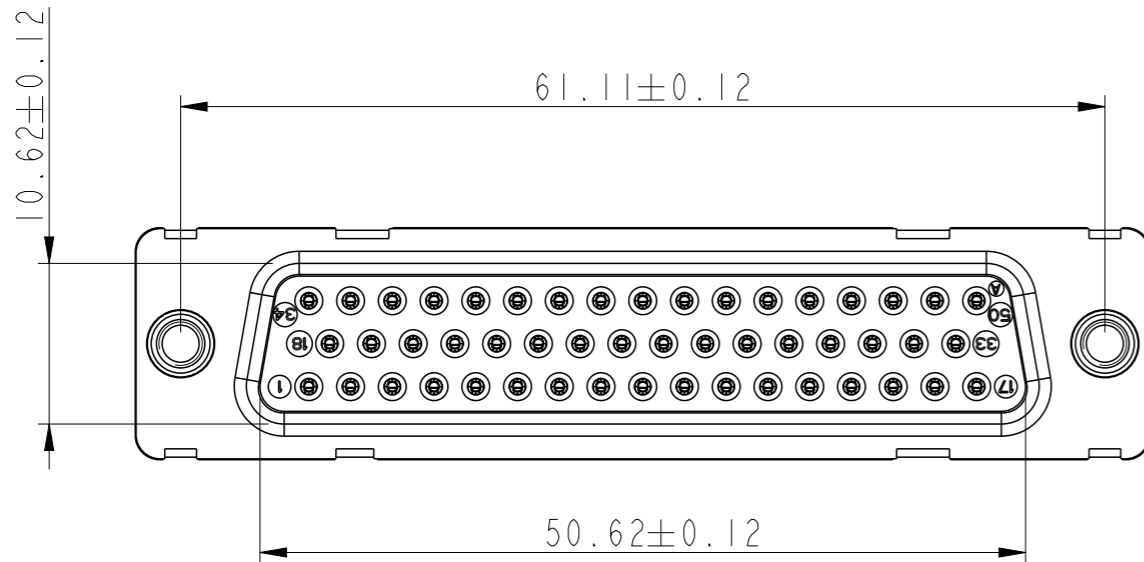
D

A

B

C

D



P/N LEAD FREE
D50S24A6xx09LF

SECTION A-A

FOR xx SEE SHEET 1



Copyright FCI.

www.fciconnect.com		surface - ✓ ISO 1302	tolerance std ISO 406 ISO 1101	projection ⊕-⊖	mm ↔
TOLERANCES UNLESS OTHERWISE SPECIFIED					
Dr	P. CRON	02/02/06	ANGULAR	0.X ±0.3	size A3 Scale 1:1
Eng	H. LEGALLIC	02/02/06	LINEAR	0.XX ±0.1	ECN 110-0197
Chr	NIRMAL G	2010-10-14	0° ±2°	0.XXX ±0.05	Spec ref -
Appr	SUDHIR V	2010-10-14	Product family		
SUB DELTA D PIP FEMALE H=2 straight for tray		catalog no	SEE TABLE	dwg no C01-8646-0879	Rev. H
			CUSTOMER	sheet 3 of 3	

REV F - 2006-04-17

1

2

3

4

Mouser Electronics

Authorized Distributor

Click to View Pricing, Inventory, Delivery & Lifecycle Information:

[FCI / Amphenol:](#)

[D15S24A6RV09LF](#) [D25S24A6RV09LF](#) [D50S24A6RV09LF](#) [D37S24A6RV09LF](#) [D09S24A6RL09LF](#)
[D09S24A6RX09LF](#) [D15S24A6RL09LF](#) [D15S24A6RX09LF](#) [D25S24A6RL09LF](#) [D25S24A6RX09LF](#)
[D37S24A6RL09LF](#) [D37S24A6RX09LF](#) [D50S24A6RL09LF](#) [D50S24A6RX09LF](#) [D09S24A6RV09LF](#)