

Tous droits strictement réservés. Reproduction ou communication à des fins interdite sans gréage forme que ce soit sans autorisation écrite du propriétaire. Propriété de A FCI.

**A FCI**

All rights strictly reserved. Reproduction or issue in third parties in any form whatever is not permitted without written authority from the proprietor. Property of FCI. Copyright FCI.

REFERENCE SPECIFICATIONS

- DIN 41652
- MIL-DTL-24308

PHYSICAL CHARACTERISTICS

- INSULATOR MATERIAL:
- PBT COLOR BLACK-RAL 7001/STANDARD MATERIAL
- CONTACT MATERIAL: - PHOSPHOR BRONZE FOR STRAIGHT CONTACT AND RA SOCKET  
- BRASS FOR RA PIN
- GROUNDING DEVICE MATERIAL : - BRASS FOR RIGHT ANGLE CONTACT

ELECTRICAL CHARACTERISTICS

- MAXIMUM RATING CURRENT: 5A AT 70°C
- NOMINAL CURRENT: 5A (STANDARD CONDITIONS)
- CONTACT RESISTANCE : straight terminations: <10mΩ
- Right angled termination: <25mΩ  
: <35mΩ for 50 way
- VOLTAGE PROOF : >1000 V.r.m.s.
- RATED VOLTAGE : 300 V.r.m.s.
- insulation resistance: >5000mΩ
- creepage and clearance distance: >1mm
- average wiping length: 2mm

MECHANICAL CHARACTERISTICS

- RETENTION AGAINST TORQUE: - Threaded insert: 0.7 N.m minimum  
- Female screw lock: 0.5 N.m minimum
- INSERTION AND WITH DRAWAL FORCE: <n x 3.40 N (n number of cts)
- GAUGE RETENTION FORCE : >0.20 N (gauge PM)
- THICKNESS GAUGE = Ø0.99±0.005 / SURFACE ROUGHNESS:  
• Ra=0.10µ mini- 0.25µ maxi
- CONTACT RETENTION IN INSULATOR : mini 16N for straight contact  
mini 20N for right angled contact
- VIBRATIONS: 10-2000Hz / 1.5 mm - 20g / 3 x 2 HRS
- INTERRUPTION <1µs (NOT APPLICABLE FOR PL3)
- SHOCK: ACC. HALF SINE 50g- 11m.s-6x3 SHOCKS
- INTERRUPTION <1µs
- HARPOON INSERTION FORCE: <60N

PERFORMANCE LEVELS

MECHANICAL ENDURANCE ONLY		
P/N: DXXXXCXXXXXX	PERFORMANCE LEVELS	
4 200 OPERATIONS	PL3	
6 400 OPERATIONS	PL1	

MECHANICAL ENDURANCE AND INDUSTRIAL ATMOSPHERE TEST(1)		
P/N: DXXXXCXXXXXX	PERFORMANCE LEVELS	
4 salt spray: 24 hours	PL3	
6 250 op + test (1 or 2)-10 days + 250 op	PL1	

1) INDUSTRIAL ATMOSPHERE TEST: 3 GASES available for contacts and grounding device

IN ACCORDANCE WITH IEC-68-2-60-TTD - TEST ke - MTH C OR IEC 512-6 TEST 11g

MIXED GASES: H2S=10 PPB±5.10-9vol/vol +N2O=200±50.10-9 vol/vol + CL2=10±5.10-9vol/vol

TEMPERATURE = 30±1°C / RELATIVE HUMIDITY= 70±3°C

(2) INDUSTRIAL ATMOSPHERE TEST: 4 GASES available for contacts active area only

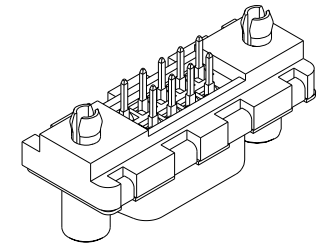
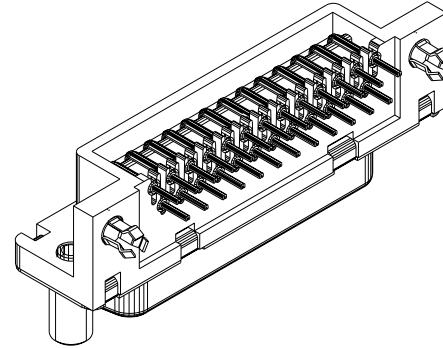
BELCORE TEST : MIXED GASES: H2S=10 PPB±5 vol/vol +N2O=200ppb±50 vol/vol + CL2 =10ppb±3vol/vol + S2O=100ppb±30vol/vol  
TEMPERATURE = 30±1°C / RELATIVE HUMIDITY= 70±2°C

ENVIRONMENTAL CHARACTERISTICS

- CLIMATIC CATEGORY: 55/125/56
- TEMPERATURE RANGE -55°C TO +125°C
- DAMP HEAT STEADY STATE 56 DAYS

RIGHT ANGLED

STRAIGHT



PLATING TIN LEAD VERSION

- CONTACT: - GOLD OVER NICKEL ON MATING SURFACES  
- TIN LEAD OVER NICKEL ON TERMINATION PARTS
- SHELL AND ACCESSORIES TIN LEAD OVER COPPER

PLATING TIN VERSION

NOTE RoHS INFORMATIONS

- The "LF" products meet European union Directives and other country regulations as described in GS-22-008
- The housing will withstand exposure to 260°C peak temperature for 3.5 seconds in a wave solder application with a 1.6 mm minimum thickcircuit board. See application notes/procedures if they are available.
- Termination plating spec: 1.27µm Nickel mini, 2.5 to 7.5 µm Sn (pure matte)
- Shell plating: 2 to 4 µm Cu + 3 to 10 µ Sn (pure bright)
- Accessories: Sn pure bright
- Packaging spec: see GS-14-920

<b>A FCI</b>		www.fciconnect.com		surface	tolerance	projection		
Dr	JOUBERT	30/11/00	Product family	size	A3	Scale	1:1	
Eng			Spec ref	Material	SEE NOTES	ECN	LS05-0039	
Chr								
Appr	LEGARE	30/11/00						
			DELTA D SOLDER CTS CONNECTORS			C01-8646-0000		Rev. C
			GENERAL CHARACTERISTICS					
			catalog no			CUSTOMER COPY		sheet 1 of 1

# Mouser Electronics

Authorized Distributor

Click to View Pricing, Inventory, Delivery & Lifecycle Information:

## [FCI / Amphenol:](#)

[D37S24A6GV00LF](#) [D37P24B6GV00LF](#) [D09P13A4GL00LF](#) [D09P13A4GV00LF](#) [D09P13A4GX00LF](#)  
[D09P13A4PA00LF](#) [D09P13A4PL00LF](#) [D09P13A4PV00LF](#) [D09P13A4UV00LF](#) [D09P13A6GL00LF](#)  
[D09P13A6GV00LF](#) [D09P13A6GX00LF](#) [D09P13A6PA00LF](#) [D09P13B4GV00LF](#) [D09P13B4GX00LF](#)  
[D09P13B4PA00LF](#) [D09P13B6GV00LF](#) [D09P13B6GX00LF](#) [D09P13B6PA00LF](#) [D09P23A6GX00LF](#)  
[D09P24A4GL00LF](#) [D09P24A4GV00LF](#) [D09P24A4GX00LF](#) [D09P24A4PA00LF](#) [D09P24A4PL00LF](#)  
[D09P24A6GL00LF](#) [D09P24A6GV00LF](#) [D09P24A6GX00LF](#) [D09P24A6PA00LF](#) [D09P24A6PV00LF](#)  
[D09P24A6PX00LF](#) [D09P24B4GL00LF](#) [D09P24B4GV00LF](#) [D09P24B4GX00LF](#) [D09P24B4PA00LF](#)  
[D09P24B6GV00LF](#) [D09P24B6GX00LF](#) [D09P24B6PA00LF](#) [D09P33E4GL00LF](#) [D09P33E4GV00LF](#)  
[D09P33E4GX00LF](#) [D09P33E4PA00LF](#) [D09P33E6GL00LF](#) [D09P33E6GV00LF](#) [D09P91C6PI9CLF](#)  
[D09S13A4GL00LF](#) [D09S13A4GV00LF](#) [D09S13A4GX00LF](#) [D09S13A4PA00LF](#) [D09S13A4PL00LF](#)  
[D09S13A4PX00LF](#) [D09S13A4UV00LF](#) [D09S13A6GL00LF](#) [D09S13A6GV00LF](#) [D09S13A6GX00LF](#)  
[D09S13A6PA00LF](#) [D09S13B4GL00LF](#) [D09S13B4GV00LF](#) [D09S13B4GX00LF](#) [D09S13B4PA00LF](#)  
[D09S13B6GL00LF](#) [D09S13B6GV00LF](#) [D09S13B6GX00LF](#) [D09S13B6PA00LF](#) [D09S24A4GL00LF](#)  
[D09S24A4GV00LF](#) [D09S24A4GX00LF](#) [D09S24A4PL00LF](#) [D09S24A4PV00LF](#) [D09S24A4PX00LF](#)  
[D09S24A6GL00LF](#) [D09S24A6GV00LF](#) [D09S24A6GX00LF](#) [D09S24A6PA00LF](#) [D09S24B4GL00LF](#)  
[D09S24B4GV00LF](#) [D09S24B4GX00LF](#) [D09S24B4PA00LF](#) [D09S24B6GL00LF](#) [D09S24B6GV00LF](#)  
[D09S24B6GX00LF](#) [D09S24B6PA00LF](#) [D09S33E4GL00LF](#) [D09S33E4GV00LF](#) [D09S33E4GX00LF](#)  
[D09S33E4PA00LF](#) [D09S33E6GL00LF](#) [D09S33E6GV00LF](#) [D09S33E6GX00LF](#) [D15P13A4GL00LF](#)  
[D15P13A4GV00LF](#) [D15P13A4GX00LF](#) [D15P13A4PA00LF](#) [D15P13A4PV00LF](#) [D15P13A4PX00LF](#)  
[D15P13A6GL00LF](#) [D15P13A6GV00LF](#) [D15P13A6GX00LF](#) [D15P13A6PA00LF](#) [D15P13B4GL00LF](#)