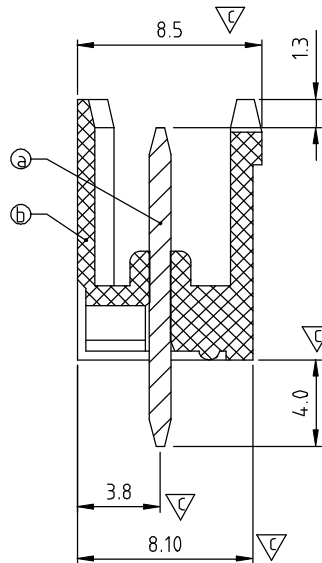


RECOMMENDED PCB LAYOUT



N = Number of poles  
 Dim A=Nx5.0  
 Dim B=(N-1)x5.0

	Dim A	Dim B
2-6p	±0.15	±0.15
7-12p	±0.20	±0.20
13-18p	±0.30	±0.30
19-24p	±0.40	±0.40

SIGN	DATE	DESCRIPTION	APPROVER
△	8/16'06	Added VDE and TUV standard	Steady
△	8/16'06	Current rating (cULus) changed from 10A to 20A	Steady
△	1/19'07	Soldering temperature changed from 245° to 250°	Tony
△	2009.10.21	The material is changed from Brass to Copper	Jacke
△	2009.10.21	The operating temperature is changed	Jacke
△	2010.05.29	The design is changed	Jacke
△	2013.08.03	Add the product number	Chen Bo

THIS IS CAD DRAWING, DO NOT REVISE MANUALLY!!!

Material:

- Item ① Male contact pin: Copper ,Tin plated
- Item ② Terminal(housing): Thermoplastic (UL94V-0)

- △ Electrical: cULus /VDE /TUV
- Voltage rating: 300V/300V/300V
- △ Current rating: 20A/20A/20A
- Withstanding Voltage: 1.6 KV/2.5KV/2.5KV
- △ Operating temperature: -40°C to +115°C
- △ Soldering temperature: 260°C±5°C/5 Sec
- Safety Approval:
- Critical dimension:

OQ xx 7 0 x 0 xxxx G

No. OF POLES  
 02: 2 POLES  
 :  
 24: 24 POLES

Color

- 0 Black (RAL9005)
- 2 Red (RAL3001/D)
- 3 Orange(RAL2011/P)
- 4 Yellow(RAL1018/A)
- 5 Green(RAL6018/T)
- 6 Blue (RAL5015/A)
- 8 Grey(RAL7035/D)
- 9 White(RAL1102)
- C Green(RAL6018/U)

G RoHS compliant (lead<4%)  
 In copper Alloy  
 0000: "@ " Logo (Standard)  
 000A: "ANYTEK" Mark  
 00CC: "ANYTEK" Mark  
 0091: "ANYTEK" Mark △  
 Any special item by customer request.  
 please contact sales department.

<b>ANYTEK</b>				<b>CUSTOMER COPY</b>			
ALL RIGHTS RESERVED. REPRODUCTION OR ISSUE TO THIRD PARTIES IN ANY FORM WHATSOEVER IS NOT PERMITTED WITHOUT WRITTEN AUTHORITY FROM THE PROPRIETOR. PROPERTY OF ANYTEK TECHNOLOGY CO., LTD							
TITLE		OQ 5.0mm 180° /Open Series 2p-24p					
PART NO.		OQxx70x0xxxxG			DWG NO.		80Q0501
APPROVED		CHECKED		DESIGNED		DRAWN	
		Chen Bo 08/03`13		Chen Bo 08/03`13		CUST NO.	
						Tolerance	
						X. ±0.50	
						X.X ±0.30	
						X.XX ±0.10	
						X° ±1°	
				SHEET: 01/01		UNIT: mm	
						SCALE: NONE	
						REV.: J	

# Mouser Electronics

Authorized Distributor

Click to View Pricing, Inventory, Delivery & Lifecycle Information:

## Amphenol:

[QQ0270500000G](#) [QQ0370500000G](#) [QQ0470500000G](#) [QQ0570500000G](#) [QQ0670500000G](#) [QQ0770500000G](#)  
[QQ0870500000G](#) [QQ0970500000G](#) [QQ1070500000G](#) [QQ1170500000G](#) [QQ1270500000G](#) [QQ1370500000G](#)  
[QQ1470500000G](#) [QQ1570500000G](#) [QQ1670500000G](#) [QQ1770500000G](#) [QQ1870500000G](#) [QQ1970500000G](#)  
[QQ2070500000G](#) [QQ2170500000G](#) [QQ2270500000G](#) [QQ2370500000G](#) [QQ2470500000G](#) [QQ0670000000G](#)  
[QQ0970000000G](#) [QQ0470800000G](#) [QQ0270800000G](#) [QQ0370800000G](#) [QQ1670000000G](#) [QQ2070000000G](#)  
[QQ0470000000G](#) [QQ0370000000G](#) [QQ2470800000G](#) [QQ2470000000G](#) [QQ0270000000G](#) [QQ2370000000G](#)  
[QQ1970000000G](#) [QQ2170000000G](#) [QQ2270800000G](#) [QQ2270000000G](#) [QQ2170800000G](#) [QQ2070800000G](#)  
[QQ2370800000G](#) [QQ1570800000G](#) [QQ1770000000G](#) [QQ1870800000G](#) [QQ1970800000G](#) [QQ1770800000G](#)  
[QQ1370800000G](#) [QQ1670800000G](#) [QQ1870000000G](#) [QQ1270000000G](#) [QQ1570000000G](#) [QQ1470000000G](#)  
[QQ1470800000G](#) [QQ1270800000G](#) [QQ1070000000G](#) [QQ1170800000G](#) [QQ1370000000G](#) [QQ1170000000G](#)  
[QQ0970800000G](#) [QQ0770600000G](#) [QQ0870800000G](#) [QQ0870000000G](#) [QQ0770000000G](#) [QQ0570800000G](#)  
[QQ0570000000G](#) [QQ0670800000G](#) [QQ1070800000G](#) [QQ0770800000G](#)