

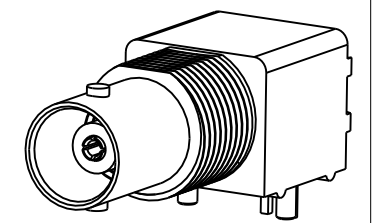
NOTES:

1. MATERIALS AND FINISHES:  
 BODY - PBT 15% G.F. WHITE  
 CONTACT - PHOPHOR BRONZE, GOLD PLATING (.000003 THICK)  
 @CONTACT AREA ONLY, TIN PLATING AT TAIL, NICKEL PLATED OVERALL  
 INSULATOR - POLYPROPYLENE  
 HOUSING- PBT, WHITE, 15% G.F.  
 GROUNDING TERMINAL-STEEL, TIN PLATING  
 ROUND PIN-BRASS, TIN PLATING
2. ELECTRICAL:  
 A. IMPEDANCE: 50 OHM  
 B. FREQUENCY RANGE: DC - 1GHZ  
 C. DIELECTRIC WITHSTANDING VOLTAGE: 1500 VRMS, MIN.
3. MECHANICAL:  
 A. DURABILITY: 500 CYCLES MIN.  
 B. TEMPERATURE RANGE: -55° C TO 85° C
4. PACKAGING:  
 A. PACKAGED IN PACKING TRAY  
 B. QUANTITY PER TRAY: 40

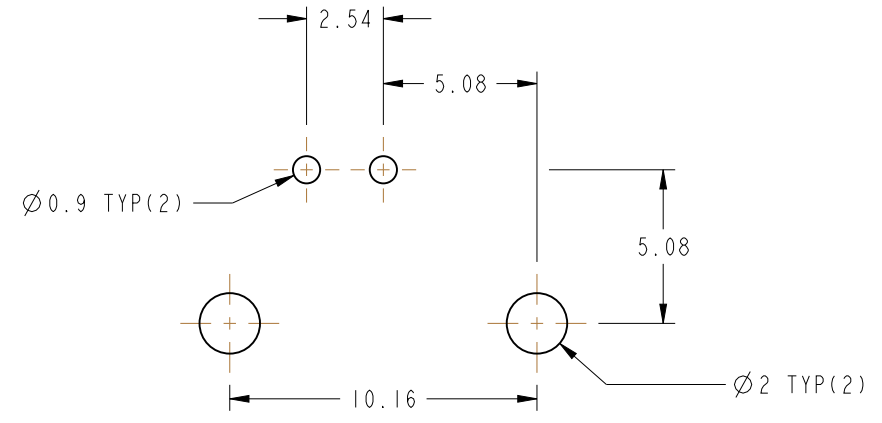
THIRD ANGLE PROJ.

REVISIONS

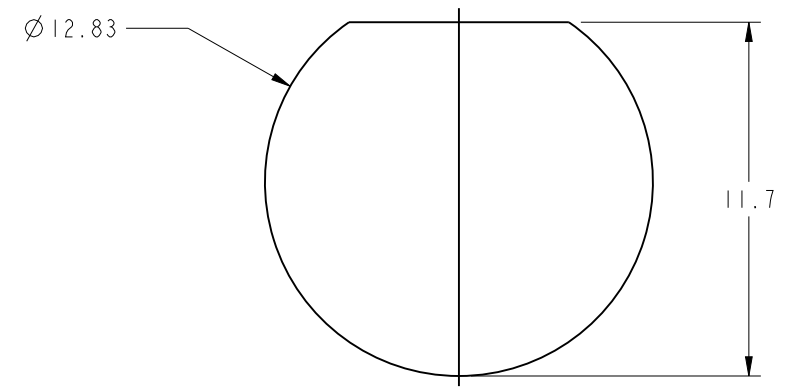
REV	DESCRIPTION	DATE	ECO	APPR
A	RELEASE TO MFG	3/15/90	37099	DR
H	SEE SHEET I	11/27/96	41683	CPM
J	SEE SHEET I	5/9/01	43738	CPM
K	SEE SHEET I	2/3/05	45257	CPM
L	UPDATED FORMAT AND NOMINAL ENVELOPE DIMENSIONS	10/2/12	49195	EW
M	NOTE I WAS BODY - ZINC DIE CAST, NICKEL PLATING	1/17/13	49397	EW



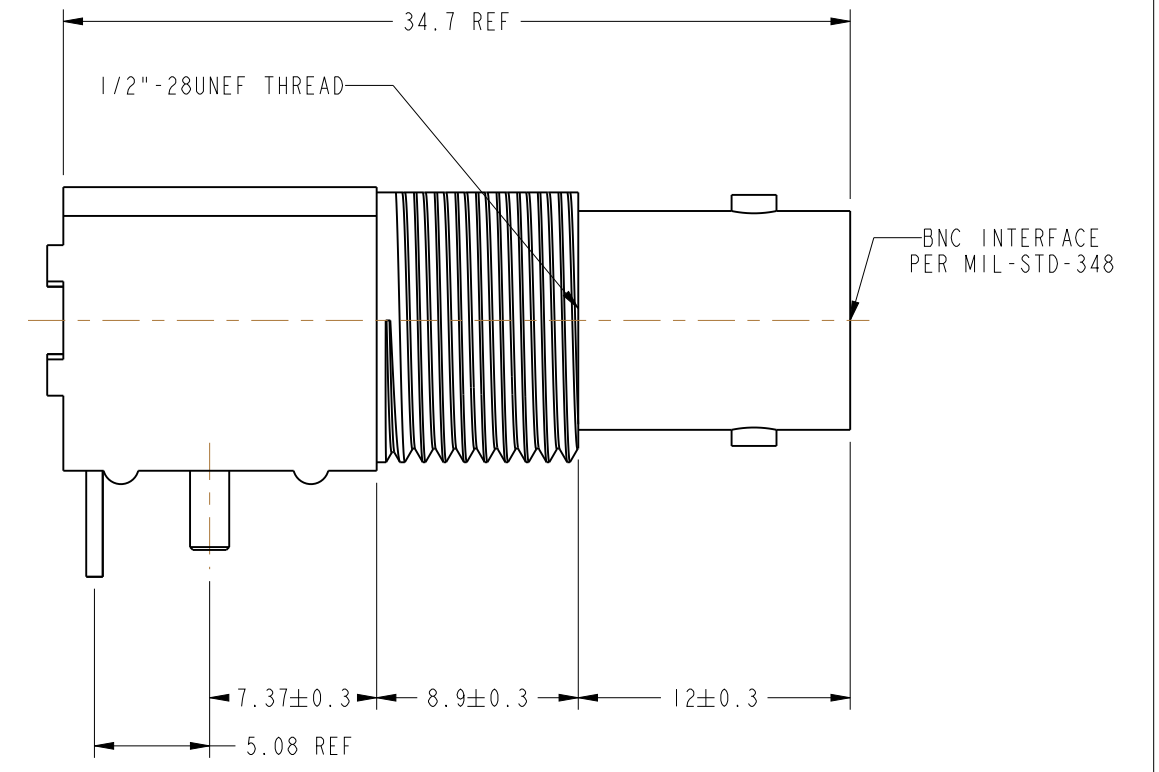
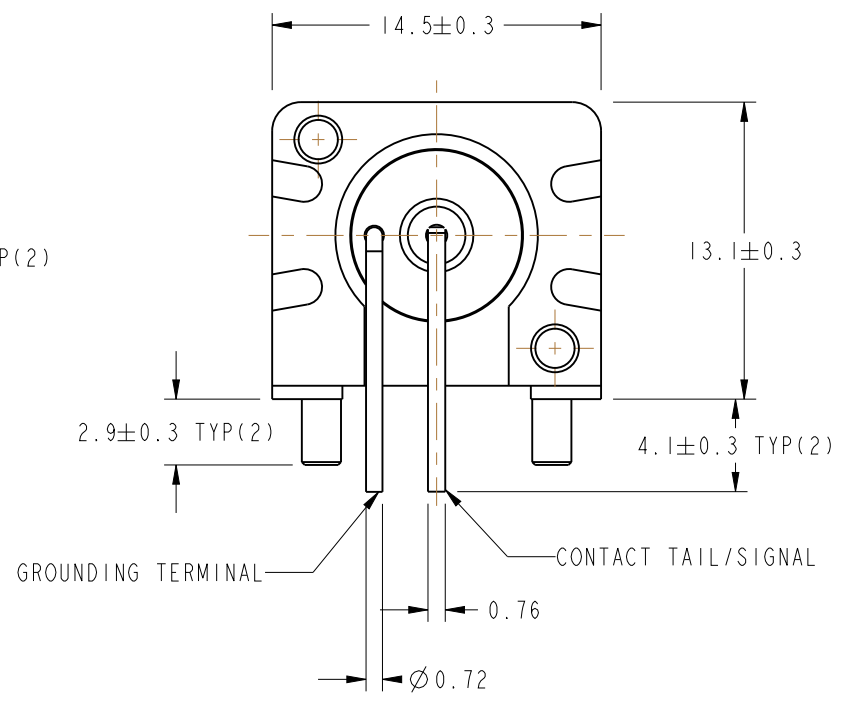
SCALE 1.500



RECOMMENDED PCB LAYOUT



RECOMMENDED PANEL CUTOUT



**CUSTOMER OUTLINE DRAWING**  
 ALL OTHER SHEETS ARE FOR INTERNAL USE ONLY

UNLESS OTHERWISE SPECIFIED, DIMENSIONS ARE IN METRIC AND TOLERANCES ARE: <0.5mm ±0.05mm    0.5 - 6mm ±0.1mm    6 - 30mm ±0.2mm    30 - 120mm ±0.3mm    ANGLES ±1° NOTICE - These drawings, specifications, or other data (1) are, and remain the property of Amphenol corp. (2) must be returned upon request; and (3) are confidential and not to be disclosed to any person other than those to whom they are given by Amphenol Corp., the finishing of these drawings, specifications, or other data by Amphenol Corp., or to any other person to anyone for any purpose is not to be regarded by implication or otherwise in any manner licensing, granting rights to permitting such holder or any other person to manufacture, use or sell any product, process or design, patented or otherwise, that may in any way be related to or disclosed by said drawings, specifications, or other data.	MATERIAL	DRAWN	DATE	TITLE	Amphenol RF www.amphenolrf.com
	SEE NOTES	T. ALBERA	4/5/91		
	REFERENCE	ENGINEER	DATE	SCALE: 3.0:1.0   SHEET 1 OF 2	DRAWING NO. 031-5486
	EAR 71004-5	D. ROYCE	4/8/91		ITEM NO. 031-5486
FINISH	APPROVED	DATE	DWG SIZE	REV	PART NO. 031-5486
	D. ROYCE	4/8/91	B	M	

# Mouser Electronics

Authorized Distributor

Click to View Pricing, Inventory, Delivery & Lifecycle Information:

[Amphenol:](#)

[031-5486](#)