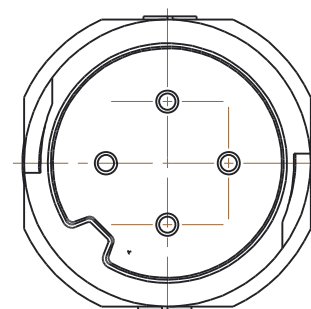
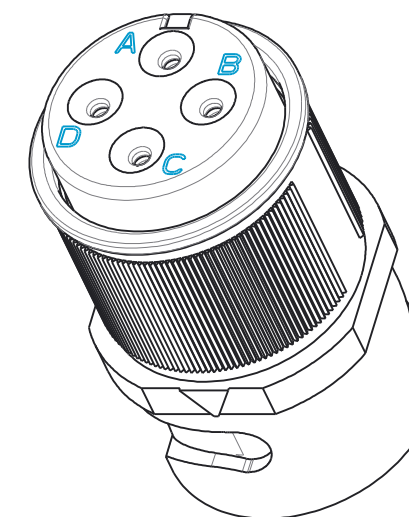
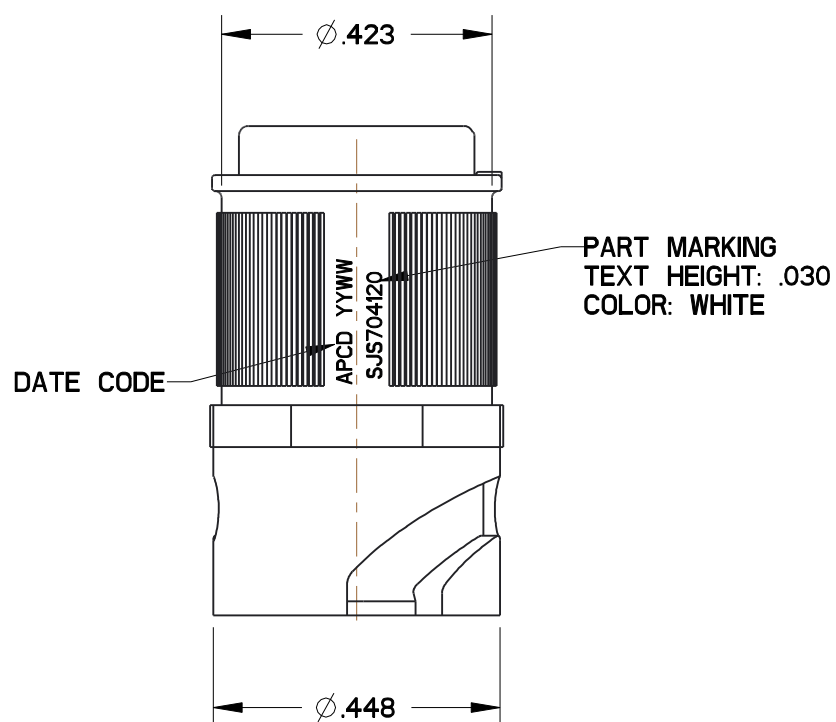
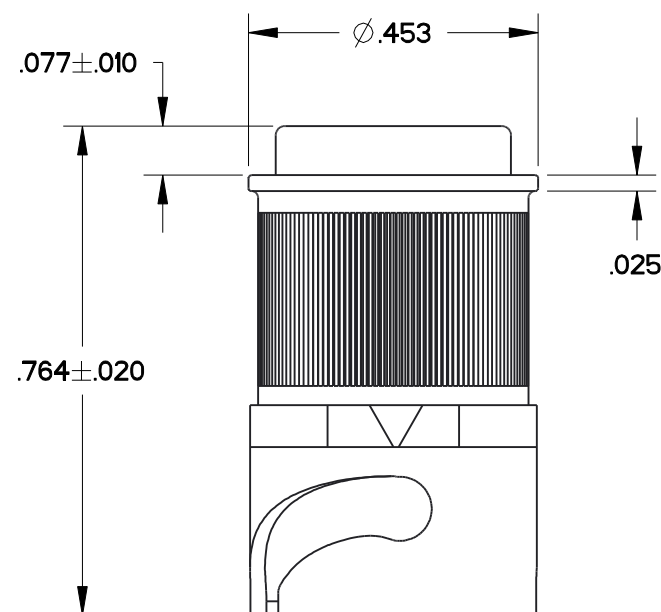
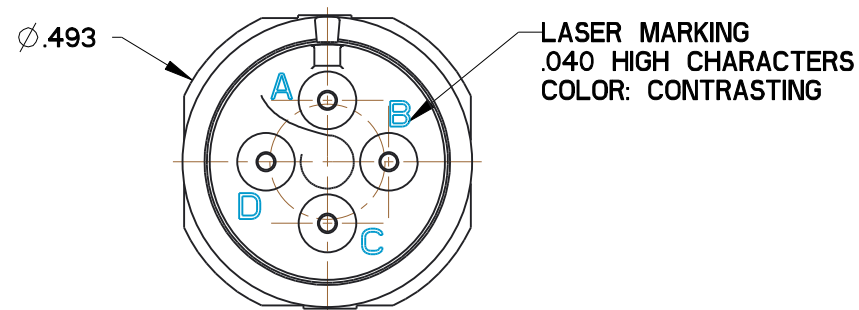


|     |     |       |
|-----|-----|-------|
| REV | ECN | APP'D |
| 01  |     |       |



| APCD P/N  | CONTACTS SUPPLIED | HOUSING COLOR | PART MARKING |
|-----------|-------------------|---------------|--------------|
| SJS704120 | NONE              | BLACK         | SJS704120    |
| SJS704121 | (4) M39029/58-363 |               |              |

- NOTES:
- MATERIALS:  
HOUSING: POLYETHERIMIDE  
CONTACT RETAINER: STAINLESS STEEL  
GROMMET&FACE SEAL: SILICONE RUBBER PER A-A-59588
  - PARTS ACCEPTS PIN CONTACTS PER M39029/58-363.
  - PART MATES WITH SJS704110/SJS704111.
  - WEIGHT: 1.9 GRAMS
  - SUPPLIED WITH DUST CAP.

|  |  |                |                                       |           |  |                         |              |
|--|--|----------------|---------------------------------------|-----------|--|-------------------------|--------------|
| DIMENSIONS<br>ANSI Y14.5M<br>UNITS: INCHES<br>Pro/E FILE | TOLERANCES<br>.XX ±0.01<br>.XXX ±0.005<br>ANGLES ±2.0°   | PROJECTION<br> | Amphenol Pcd<br>SPECIFICATION DRAWING |           | TITLE<br>LUMINUS, RECEPTACLE<br>4 POSITION SIZE 20<br>SHELL SIZE 7 |                         |              |
|  |  |                | ENGR<br>SEAN.ZENG                     | Dec-29-15 | SIZE<br>B  | DWG NO.<br>SJS704120_CE | REV<br>01    |
| ORIGINAL   | THIS DOCUMENT CONTAINS<br>PROPRIETARY INFORMATION WHICH<br>IS THE CONFIDENTIAL PROPERTY<br>OF AMPHENOL PCD INC., BEVERLY, MA |                | CHKD                                  | APPD      | CODE: 58982  | SCALE: 10:3             | SHEET 1 OF 1 |

# Mouser Electronics

Authorized Distributor

Click to View Pricing, Inventory, Delivery & Lifecycle Information:

[Amphenol:](#)

[SJS704120](#)