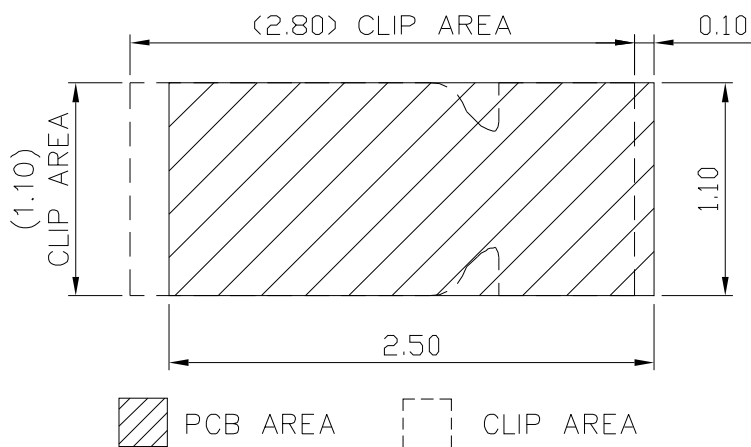
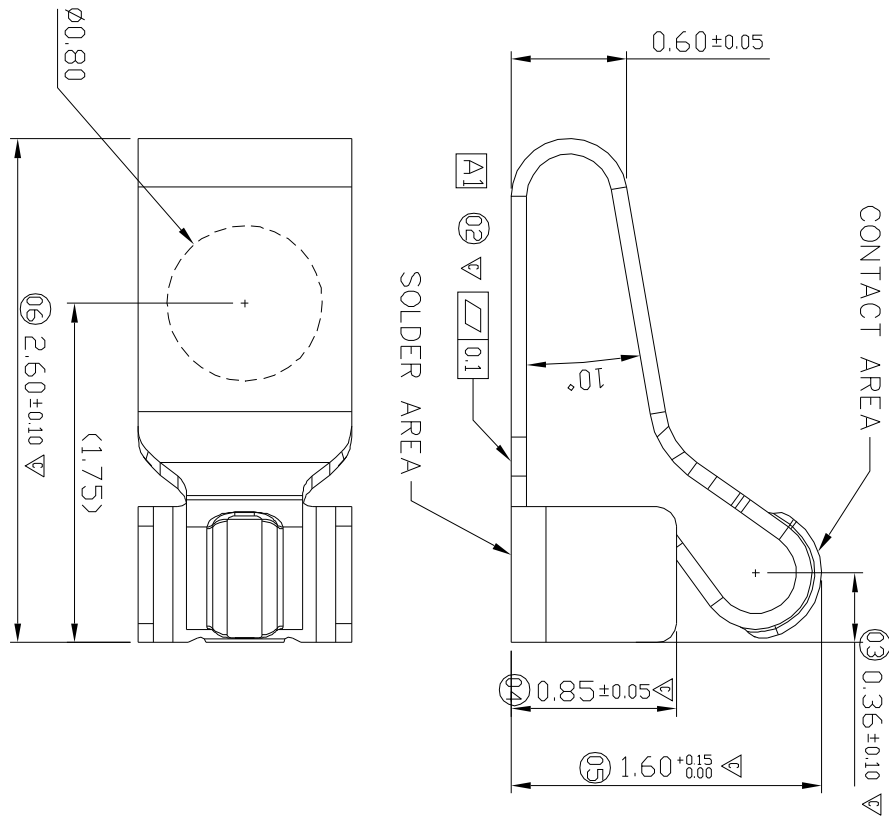
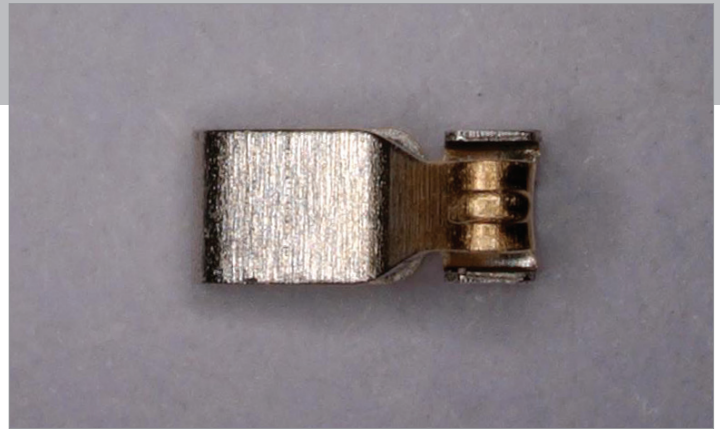


Clip

PART #: A00-C0082-01601

KEY FEATURES

- 2.60L x 1.10W x 1.60H mm
- Forward contact
- Side protected



Mouser Electronics

Authorized Distributor

Click to View Pricing, Inventory, Delivery & Lifecycle Information:

[Amphenol:](#)

[A00-C0082-01601](#)