

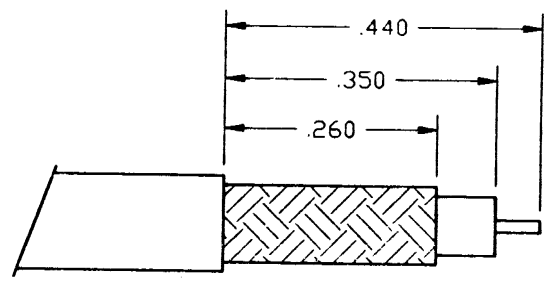
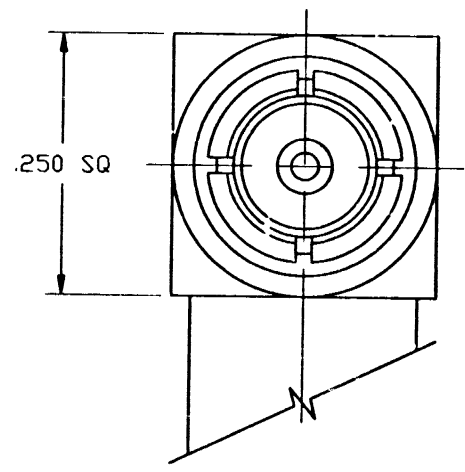
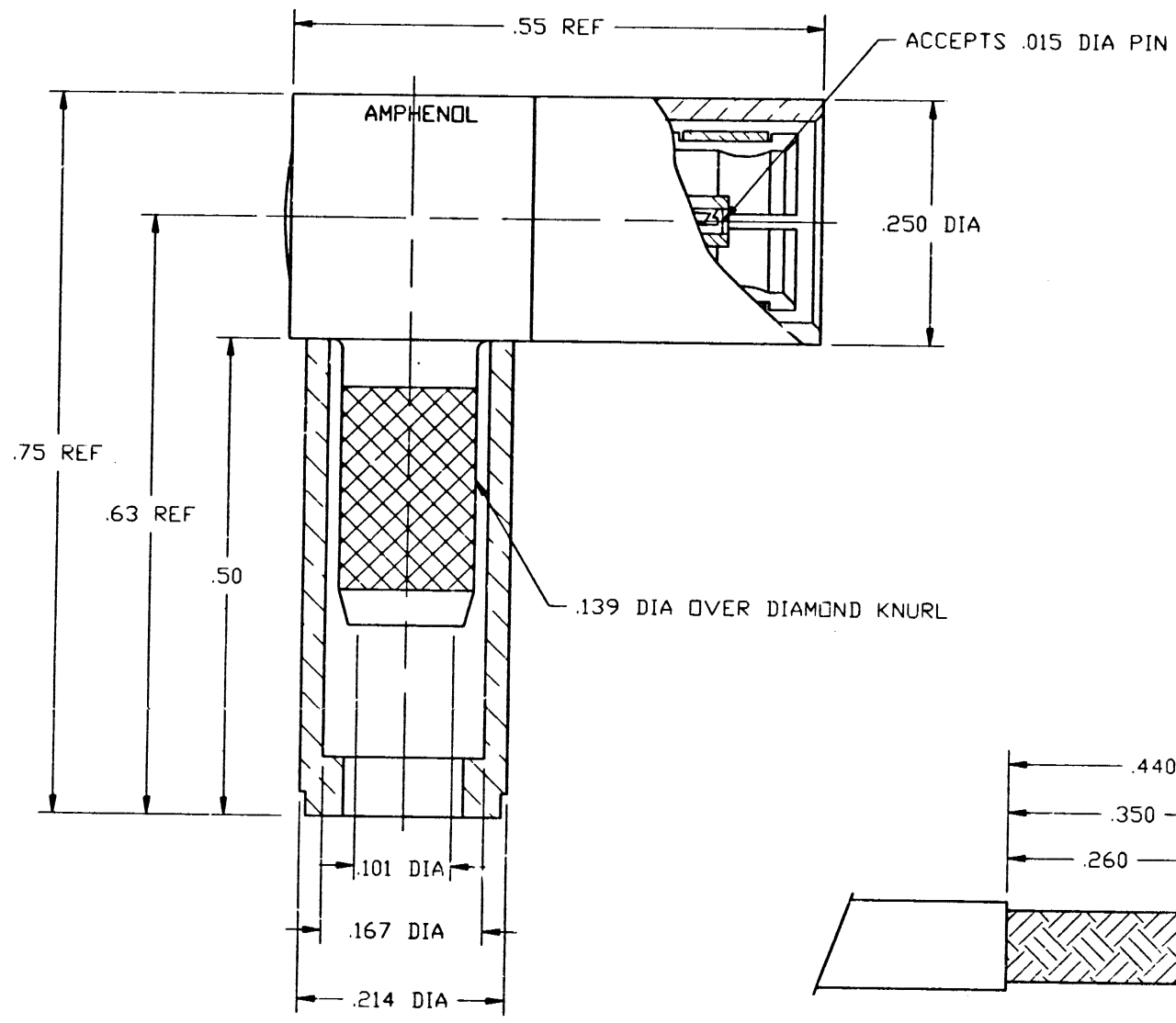
**NOTES:**

- DO NOT SCALE THIS DRAWING.
- MATERIAL AND FINISH:  
 BODY ZINC, NICKEL PLATED  
 OUTER CONTACT BRASS, GOLD PLATED  
 INSULATOR TFE FLUOROCARBON, COLOR RED  
 CENTER CONTACT BERYLLIUM COPPER, GOLD PLATED  
 SPRING RING BERYLLIUM COPPER, NICKEL PLATED  
 FERRULE BRASS, NICKEL PLATED
- FOR ASSEMBLY INSTRUCTIONS SEE 349-50618 SHEET 3.

903-517P-71A

REVISIONS

DRAWING NO.	REV	DESCRIPTION	DATE	ECO	APPB
THIRD ANGLE PROJ.	A	OFFICIAL ENG. RELEASE TO MFG.	11/21/95	41049	PB/ASW



CABLE STRIPPING DIMENSIONS

CUSTOMER DRAWING

DESIGNED FOR USE WITH AT&T CABLE 735A

UNLESS OTHERWISE SPECIFIED, DIMENSIONS ARE IN INCHES AND TOLERANCES ARE:  
 2 PLACE DECIMAL ±.015 (0,381 mm)  
 3 PLACE DECIMAL ±.005 (0,127 mm)  
 ANGLES ± 1°

NOTICE - These drawings, specifications, or other data (1) are and remain the property of Amphenol Corp. (2) must be returned upon request; and (3) are confidential and not to be disclosed to any person other than those to whom they are given by Amphenol Corp. The furnishing of these drawings, specifications, or other data by Amphenol Corp., or to any other person to anyone for any purpose is not to be regarded by implication or otherwise in any manner licensing, granting rights or permitting such holder or any other person to manufacture, use or sell any product, process or design, patented or otherwise, that may in any way be related to or disclosed by said drawings, specifications, or other data.

MATERIAL	
REFERENCE	EAR 111-964685 111-964730 KS 24191 L1 ISSUE 1 615X-1351-600

DRAWN	P. BRENZEL	DATE	11-9-95
ENGINEER		DATE	
APPROVED		DATE	20 Nov 95
CAD FILE	H:\PETE\SMB\903\ASSY\517P71AC		

TITLE	SMB 75 OHM RIGHT ANGLE PLUG		
CODE ID	DWG SIZE	DRAWING NO.	ISSUE
74868	B	903-517P-71A	A

<b>Amphenol</b> Amphenol Corporation RF/Microwave Operations Danbury, Conn. U.S.A. 06810	
SCALE: 6:1	SHEET 2 OF 2

# Mouser Electronics

Authorized Distributor

Click to View Pricing, Inventory, Delivery & Lifecycle Information:

[Amphenol:](#)

[903-517P-71A](#)