

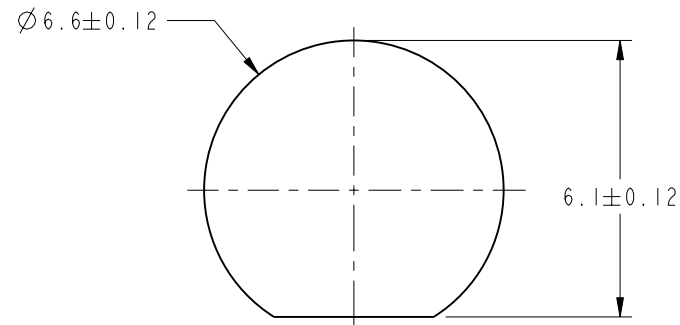
NOTES:

1. MATERIALS AND FINISHES:  
 BODY - BRASS, GOLD PLATING  
 CONTACT - BERYLLIUM COPPER, GOLD PLATING  
 INSULATOR - PTFE
2. ELECTRICAL:  
 A. IMPEDANCE: 50 OHM  
 B. FREQUENCY RANGE: DC - 6 GHz  
 C. VSWR(RETURN LOSS): 1.4 (15.56 dB), MAX.  
 D. DIELECTRIC WITHSTANDING VOLTAGE: 100 VRMS, MIN.
3. MECHANICAL:  
 A. DURABILITY: 100 CYCLES MIN.  
 B. TEMPERATURE RANGE: -65° C TO +165° C
4. PACKAGING:  
 A. QUANTITY: SINGLE PACK  
 B. MARKING: BAG TO BE MARKED  
 "AMPHENOL, 901-10175, AND DATE CODE"
5. MAX. PANEL THICKNESS=3.18mm

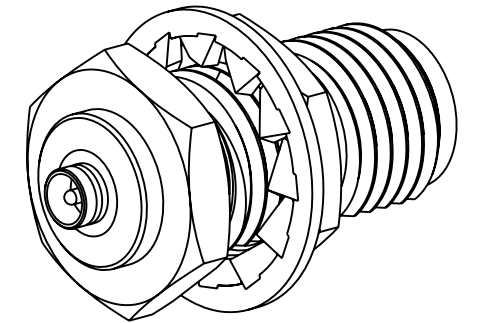
THIRD ANGLE PROJ.

REVISIONS

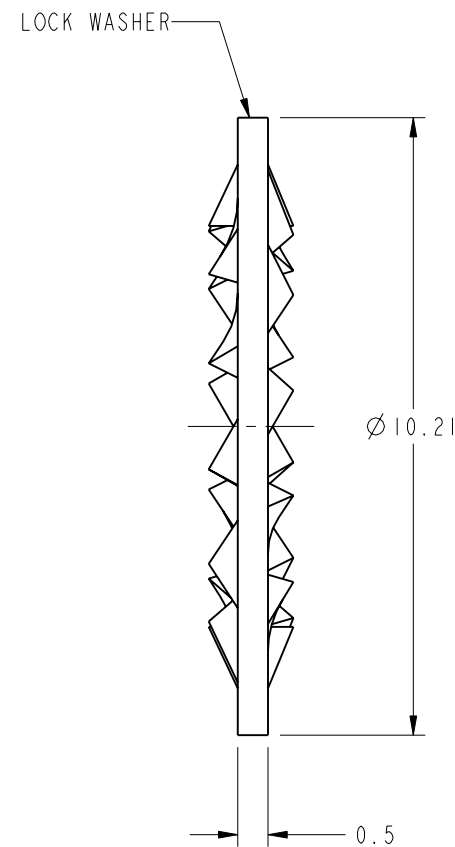
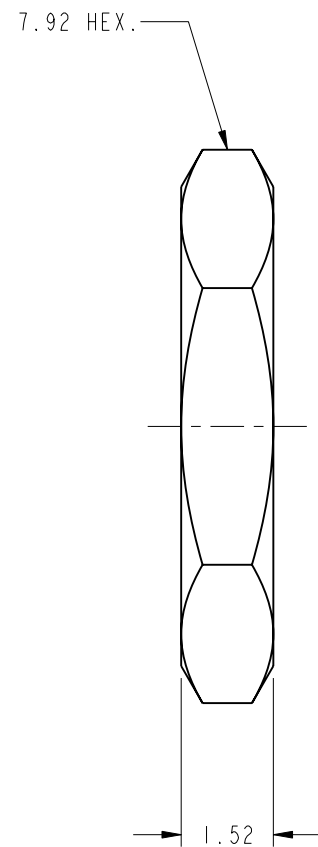
REV	DESCRIPTION	DATE	ECO	APPR
A	RELEASE TO MFG.	9/12/05	45719	MY
B	SEE SHEET 1	6/15/06	46132	CPM
C	CHANGE THE DIM OF PARTS	22-Mar-11	48508	RM
D	LOCKWASHER WAS CHANGED/ RD-DM12010901F	02-Mar-12	48832	SCOTT



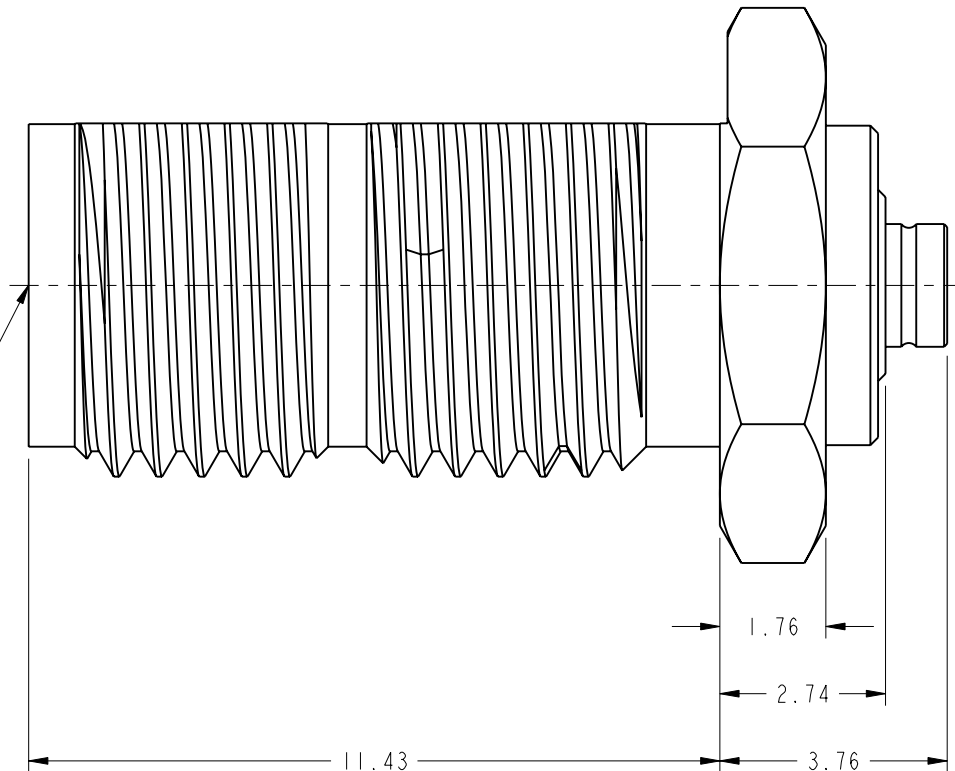
RECOMMENDED MOUNTING HOLE DIMENSIONS  
 SCALE 6.000



SCALE 4.000



INTERFACE PER MIL-STD-348 SERIES: SMA (JACK)



**CUSTOMER OUTLINE DRAWING**

ALL OTHER SHEETS ARE FOR INTERNAL USE ONLY

UNLESS OTHERWISE SPECIFIED, DIMENSIONS ARE IN METRIC AND TOLERANCES ARE: <0.5mm ±0.05mm    0.5 - 6mm ±0.1mm    6 - 30mm ±0.2mm    30 - 120mm ±0.3mm    ANGLES ±1°	MATERIAL	DRAWN I. XU	DATE 20-Feb-12	TITLE SMA BHD JACK TO AMC PLUG ADAPTER	Amphenol RF Danbury CT USA, Tainan, Taiwan, Shenzhen, China www.amphenolrf.com
	REFERENCE EAR # 1821 AND	ENGINEER M. YU	DATE 08-Jul-05		
NOTICE - These drawings, specifications, or other data (1) are, and remain the property of Amphenol corp. (2) must be returned upon request; and (3) are confidential and not to be disclosed to any person other than those to whom they are given by Amphenol Corp. the finishing of these drawings, specifications, or other data by Amphenol Corp., or to any other person to anyone for any purpose is not to be regarded by implication or otherwise in any manner licensing, granting rights to permitting such holder or any other person to manufacture, use or sell any product, process or design, patented or otherwise, that may in any way be related to or disclosed by said drawings, specifications, or other data.	CONFIGURATION LEVEL: <input type="checkbox"/> <input type="checkbox"/> <input type="checkbox"/>	APPROVED S. HSIEH	DATE 20-Feb-12	SCALE: 8.0:1.0   SHEET 2 OF 2	ITEM NO. 901-10175
	FINISH	CAD FILE	DWG SIZE B	REV D	PART NO. 901-10175

# Mouser Electronics

Authorized Distributor

Click to View Pricing, Inventory, Delivery & Lifecycle Information:

[Amphenol:](#)

[31-217-RFX](#) [901-10175](#) [000-14000](#) [081-162](#) [031-217-RFX](#)