

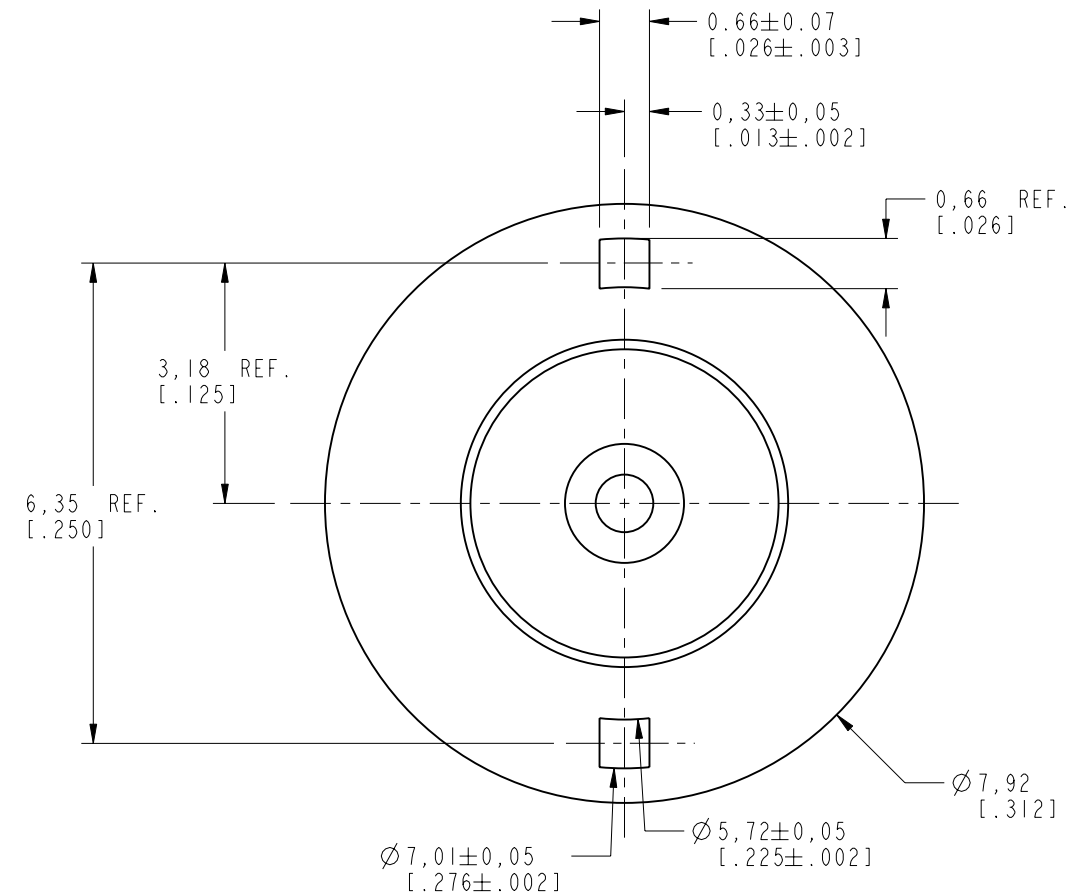
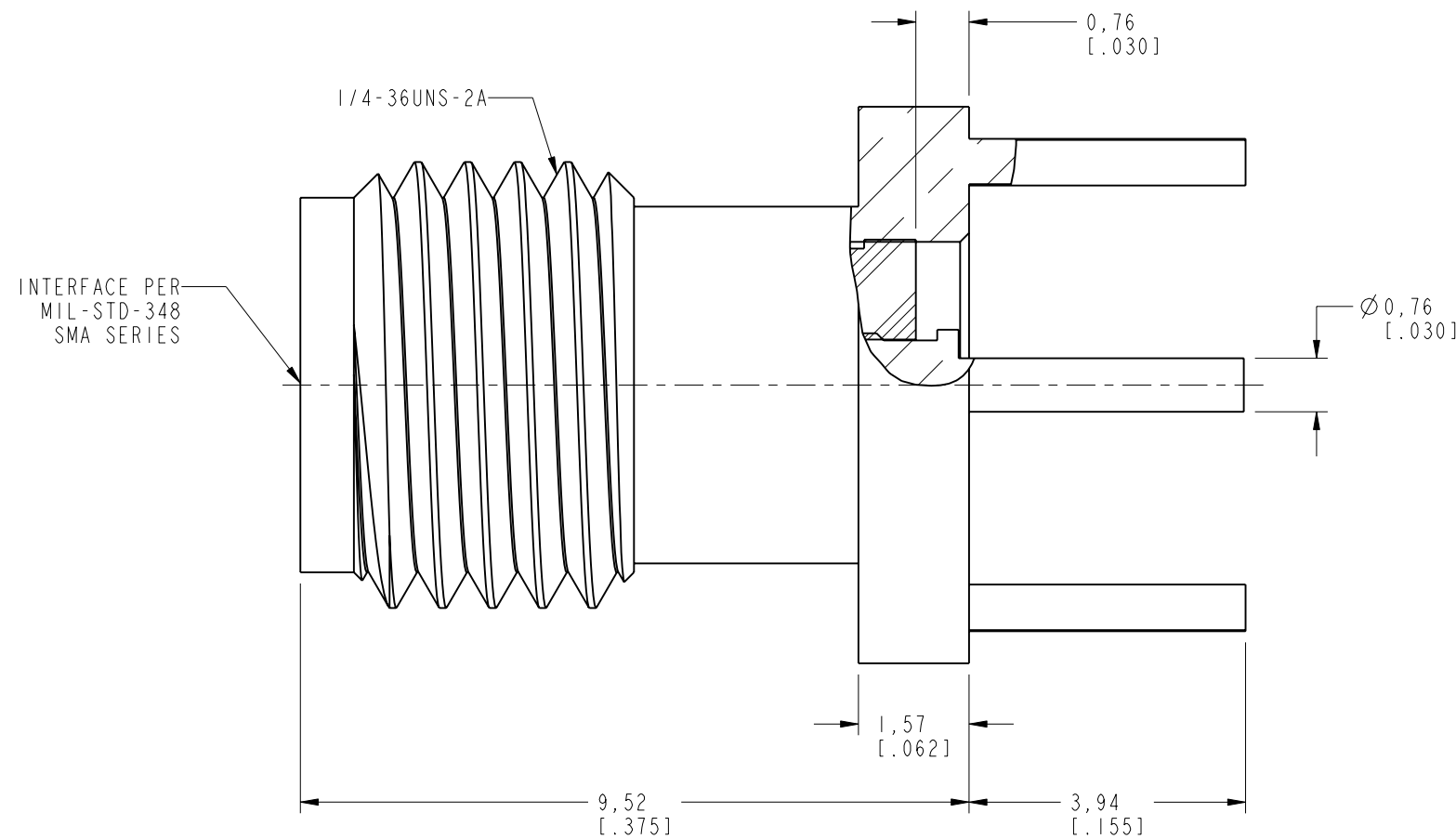
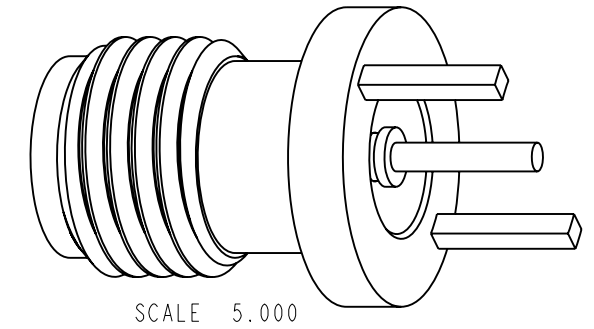
NOTES:

1. MATERIALS AND FINISHES:
 BODY - BRASS, GOLD PLATING (.000010 THICK MIN) OVER NICKEL
 CONTACT PIN - BeCu, GOLD PLATING (.000030 THICK MIN) OVER NICKEL
 INSULATOR - PTFE
2. ELECTRICAL:
 A. IMPEDANCE: 50 OHM
 B. FREQUENCY RANGE: DC - 2.5 GHz
 C. VSWR(RETURN LOSS): 1.062 (-30 dB), MAX.
 (SINGLE CONNECTOR TERMINATED, NO PCB LAUNCH INCLUDED)
3. MECHANICAL
 A. DURABILITY: 500 CYCLES MIN.
 B. TEMPERATURE RANGE: -65 °C TO +165 °C
4. PACKAGING:
 A. QUANTITY: SINGLE PACK
 B. MARKING: BAG TO BE MARKED
 "AMPHENOL 901-10040-1, AND DATE CODE"

THIRD ANGLE PROJ.

REVISIONS

REV	DESCRIPTION	DATE	ECO	APPR
A	RELEASE TO MFG.	9/25/02	44204	CPM
B	SYNCH THE DRAWING WITH DANBURY\RD-DM11061602R3	23-Jun-11	48641	RM



CUSTOMER OUTLINE DRAWING

ALL OTHER SHEETS ARE FOR INTERNAL USE ONLY

UNLESS OTHERWISE SPECIFIED, DIMENSIONS ARE IN METRIC AND TOLERANCES ARE:
 <0.5mm ±0.05mm 0.5 - 6mm ±0.1mm 6 - 30mm ±0.2mm 30 - 120mm ±0.3mm ANGLES ±1°

NOTICE - These drawings, specifications, or other data (1) are, and remain the property of Amphenol corp. (2) must be returned upon request; and (3) are confidential and not to be disclosed to any person other than those to whom they are given by Amphenol Corp. the furnishing of these drawings, specifications, or other data by Amphenol Corp., or to any other person to anyone for any purpose is not to be regarded by implication or otherwise in any manner licensing, granting rights to permitting such holder or any other person to manufacture, use or sell any product, process or design, patented or otherwise, that may in any way be related to or disclosed by said drawings, specifications, or other data.

MATERIAL	DRAWN ROSE.MAO	DATE 23-Jun-11	TITLE SMA JACK PC MOUNT RECEPTACLE	Amphenol RF www.amphenolrf.com
REFERENCE EAR# 102-967729 I,NONE 615X-1705-100 GEN# ASSYFI-SMA SIM TO 901-10040	ENGINEER OWEN BARTHELMES	DATE 9/12/02		
FINISH	APPROVED S.HSIEH	DATE 23-Jun-11	SCALE: 10.0:1.0 SHEET 2 OF 2	DRAWING NO. 901-10040-1
			DWG SIZE B	REV B
				ITEM NO. 901-10040-1
				PART NO. 901-10040-1

Mouser Electronics

Authorized Distributor

Click to View Pricing, Inventory, Delivery & Lifecycle Information:

[Amphenol:](#)

[901-10040-1](#)