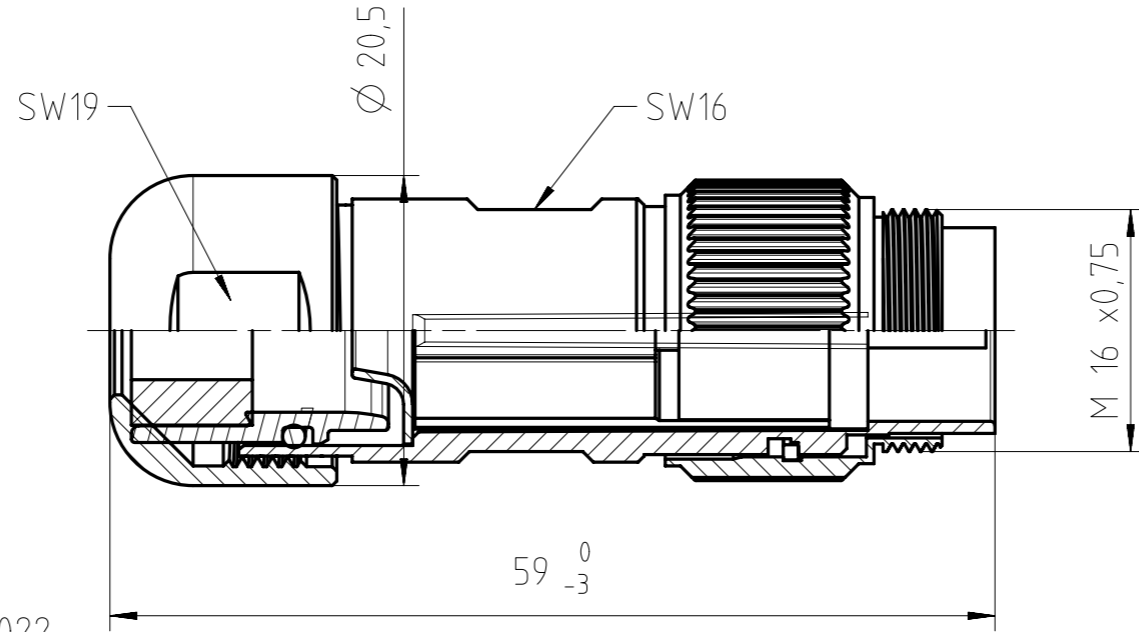


Copying of this document and giving it to others and the use or communication of the contents thereof, are forbidden without express authority. Offenders are liable to the payment of damages. All rights are reserved in the event of the grant of a patent or the registration of the utility model or design.



@ Assembly instruction see N 22 091 0022

| | | | | | | | | | | | | |
|---------------------------------|-----------------|--|------|--------------|-------------|--------------|------|------|--------------|-------|----------|--|
| Number of contacts | Standard | 3 | 4 | 5 | 5 | 6 | 7 | 7 | 8 | 12 | 14 | |
| Contact arrangement | IEC 61076-2-106 | 03-a | 04-a | 05-a | 05-b | 06-a | 07-a | 07-b | 08-a | 12-a | 14-a | |
| Rated voltage | IEC 60664-1 | 150 V | | 100 V | | | | | | 32 V | | |
| Rated impulse withstand voltage | IEC 60664-1 | 2500 V | | 1500 V | | | | | | 800 V | | |
| Pollution degree | IEC 60664-1 | 3 ⁿ | | | | | | | | | | |
| Installation category | IEC 60664-1 | III | | | | | | | | | | |
| Insulation group | IEC 60664-1 | II | | | | | | | | | | |
| Current rating | IEC 60512-5-3 | 10A/+40°C | | | 7A/+40°C | | | | | | 3A/+40°C | |
| Insulation resistance | IEC 60512-3-1 | >10 ¹⁰ Ohm ^{m²} | | | | | | | | | | |
| Contact resistance | IEC 60512-2-1 | <5mOhm | | | | | | | | | | |
| Climatic category | IEC 60668-1 | 40 / 100 / 21 | | | | | | | | | | |
| Temperatur range | | -40°C...+100°C | | | | | | | | | | |
| IP degree | IEC 60529 | IP 68 | | | | | | | | | | |
| Insertion and withdrawal force | IEC 60512-13-2 | 25N | 30N | 35N | 35N | 50N | 55N | 55N | 60N | 50N | 50N | |
| mechanical operation | IEC 60512-9-1 | ≥500 | | | | | | | | | | |
| material housing | | Zinc die cast, nickel plated | | | | | | | | | | |
| dielectric material | | Thermoplast | | | | | | | | | | |
| sealing material | | Chloroprene | | | | | | | | | | |
| contacts | | silver or gold plated, please order contacts separately acc. to drawing M-N 01 015 00XX X (3-8pol) or M-N 01 010 0158 X (12-14pol) | | | | | | | | | | |
| termination technique | | crimp | | | | | | | | | | |
| wire gauge | | 0,09-1,0mm² | | 0,09-0,75mm² | 0,09-1,0mm² | 0,09-0,75mm² | | | 0,09-0,25mm² | | | |
| flamability | | UL 94 V0 | | | | | | | | | | |
| locking system | | metal screw coupling; tightening torque 0,5 - 0,7Nm | | | | | | | | | | |

¹ under operating conditions >10⁹ Ohm
² designed according pollution degree 2, can be used under pollution degree 3 if the rules according IEC 60664-1 are fulfilled
 All technical data have been measured in a laboratory environment and can be different during practical usage of the product. Any product information is for descriptive usage only and not legally binding; particularly the information does not constitute or provide any legal guaranties ("Beschaffheitsgarantie" or "Haltbarkeitsgarantie").
 Do not connect or disconnect under load. Metal housing parts shall be securely incorporated to protected ground.

| | | |
|---|---|---------------------|
| | 14 (14-a) | C091 11H014 000 4 U |
| | 12 (12-a) | C091 11H012 000 4 U |
| | 8 (08-a) | C091 11H008 000 4 U |
| | 7 (07-b) | C091 11H107 000 4 U |
| | 7 (07-a) | C091 11H007 000 4 U |
| | 6 (06-a) | C091 11H006 000 4 U |
| | 5 (05-b) | C091 11H105 000 4 U |
| | 5 (05-a) | C091 11H005 000 4 U |
| | 4 (04-a) | C091 11H004 000 4 U |
| | 3 (03-a) | C091 11H003 000 4 U |
| Contact arrangement View on mating side | Number of contacts (Contact arrangement acc. IEC 61076-2-106) | Part number |

| | | | | |
|----------------------------------|-----------------------|--|------|---------------------|
| Gewicht (errechnet) / Calc WT: g | Zul. Abw./Tolerances: | Maßstab / Scale: 2:1 | A3 | |
| Prüfmaß / Testdimension | | Material: Oberfläche: | | |
| Teilindex Partindexnumber | | male cable connector for cable diameters 4-6mm | | |
| | 2013 Datum/Date | Name | | |
| | Gez. 24.06. | Carle | | |
| | Drawn | | | |
| | Gepr. | | | |
| | Checked | | | |
| 02 201300837 | 04.12.13 | IM | M | C091 11HXXX 000 4 U |
| 01 201300382 | 02.07.13 | CM | | |
| Index | Änderung/Description | Datum/Date | Name | Blatt/Sheet 1 |
| Ers. f. / Replacement for: | | | | 1 Bl. |

Amphenol-Tuchel Electronics GmbH

Mouser Electronics

Authorized Distributor

Click to View Pricing, Inventory, Delivery & Lifecycle Information:

[Amphenol:](#)

[C09111H0120004U](#)