

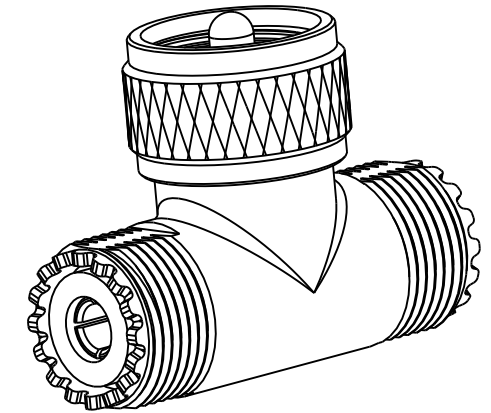
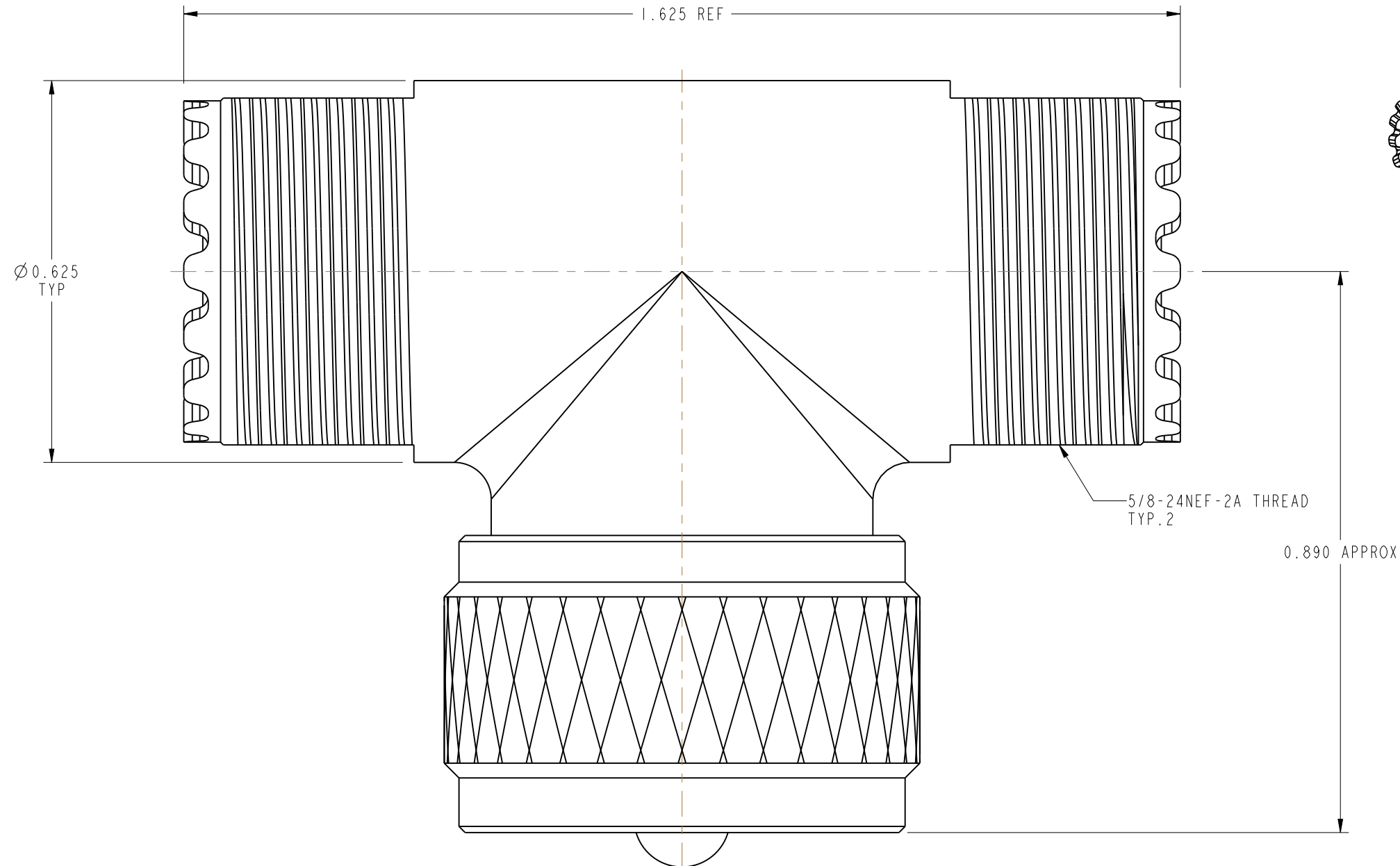
NOTES:

1. MATERIALS AND FINISHES:  
 BODY - ZINC DIE CAST, NICKEL PLATING  
 CONTACTS - BRASS, SILVER PLATING  
 INSULATOR - POLYSTYRENE
2. ELECTRICAL:  
 A. FREQUENCY RANGE: DC - 300 MHz .
3. MECHANICAL:  
 A. TEMPERATURE RANGE: -55° C TO +85° C
4. PACKAGING:  
 A. QUANTITY: SINGLE PACK  
 B. MARKING: BAG TO BE MARKED  
 "AMPHENOL RF, 83-IT, AND DATE CODE"

THIRD ANGLE PROJ.

REVISIONS

REV	DESCRIPTION	DATE	ECO	APPR
	SEE SHEET 1	30-Jan-69	16915	
U	SEE SHEET 1	08-May-95	40684	CPM/DR
V	REDRAWN IN PRO-E & ADDED SHEET 2, DELETED NOTE 4	23-Jul-13	49643	KR



SCALE 1.500

**CUSTOMER OUTLINE DRAWING**

ALL OTHER SHEETS ARE FOR INTERNAL USE ONLY

UNLESS OTHERWISE SPECIFIED, DIMENSIONS ARE IN INCHES AND TOLERANCES ARE: 2 PLACE DECIMAL 3 PLACE DECIMAL ANGLES ±.015 (0,381 mm) ±.005 (0,127 mm) ± 1°	MATERIAL	DRAWN	DATE	TITLE UHF "T" ADAPTER M-358 NAVY #49199		Amphenol RF www.amphenolrf.com	
	SEE NOTES	A.W.W	23-Jan-69				
	REFERENCE	ENGINEER	DATE	SCALE: 4.6:1.0 SHEET 2 OF 2		DRAWING NO.83-IT ITEM NO.83-IT	
	D.O.P 306759-51	A.F.R	29-Jan-69				
NOTICE - These drawings, specifications, or other data (1) are, and remain the property of Amphenol corp. (2) must be returned upon request; and (3) are confidential and not to be disclosed to any person other than those to whom they are given by Amphenol Corp. the furnishing of these drawings, specifications, or other data by Amphenol Corp., or to any other person to anyone for any purpose is not to be regarded by implication or otherwise in any manner licensing, granting rights to permitting such holder or any other person to manufacture, use or sell any product, process or design, patented or otherwise, that may in any way be related to or disclosed by said drawings, specifications, or other data.	FINISH	APPROVED	DATE	DWG SIZE	REV	PART NO.83-IT	
		HH	29-Jan-69	B	V		

# Mouser Electronics

Authorized Distributor

Click to View Pricing, Inventory, Delivery & Lifecycle Information:

[Amphenol:](#)

[83-1T](#) [083-1T](#)