

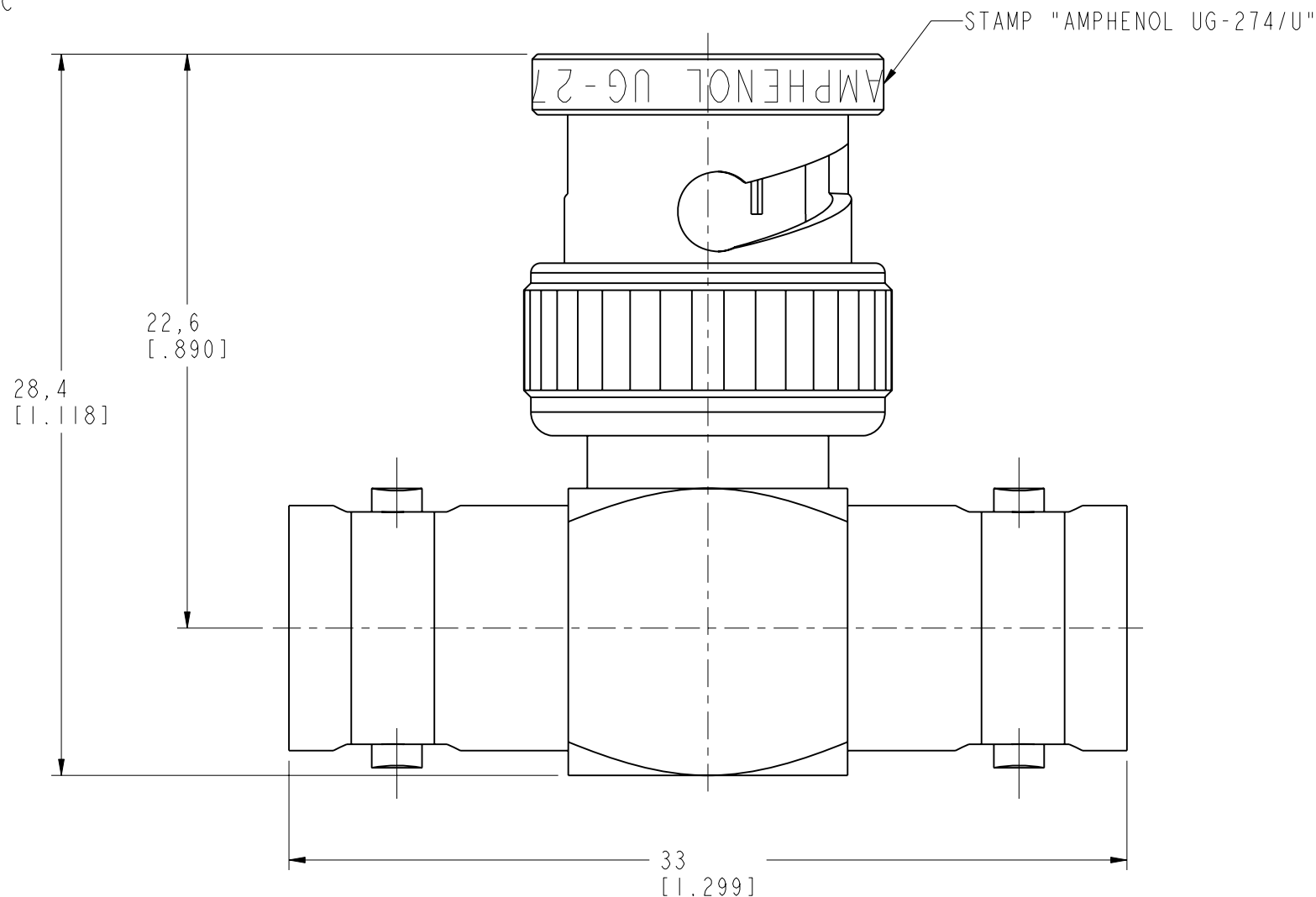
NOTES:

1. MATERIALS OF CONSTRUCTION:  
 BODY - BRASS, NICKEL PLATING  
 CONTACT PIN - BRASS, SILVER PLATING  
 CONTACT PIN - PHOSPHOR BRONZE, SILVER PLATING  
 INSULATOR - PTFE, NATURAL
2. ELECTRICAL:  
 A. IMPEDANCE: 50 OHM  
 B. FREQUENCY RANGE: DC 0-4 GHZ  
 C. VSWR: 1.5, MAX.  
 D. DIELECTRIC WITHSTANDING VOLTAGE: 1500 VRMS, MIN.
3. MECHANICAL:  
 A. DURABILITY: 500 CYCLES MIN.  
 B. TEMPERATURE RANGE: -65° C TO +165° C

THIRD ANGLE PROJ.

REVISIONS

REV	DESCRIPTION	DATE	ECO	APPR
AS	SEE SHEET 1	6/4/99	42267	CPM
AT	STAMP "AMPHENOL" WAS "74868"\RD-DM12092001R3	19-Oct-12	49078	SH



**CUSTOMER OUTLINE DRAWING**

ALL OTHER SHEETS ARE FOR INTERNAL USE ONLY

UNLESS OTHERWISE SPECIFIED, DIMENSIONS ARE IN METRIC AND TOLERANCES ARE:  
 < 0.5mm ± 0.05mm    0.5 - 6mm ± 0.1mm    6 - 30mm ± 0.2mm    30 - 120mm ± 0.3mm    ANGLES ± 1°

NOTICE - These drawings, specifications, or other data (1) are, and remain the property of Amphenol corp. (2) must be returned upon request; and (3) are confidential and not to be disclosed to any person other than those to whom they are given by Amphenol Corp. the furnishing of these drawings, specifications, or other data by Amphenol Corp., or to any other person to anyone for any purpose is not to be regarded by implication or otherwise in any manner licensing, granting rights to permitting such holder or any other person to manufacture, use or sell any product, process or design, patented or otherwise, that may in any way be related to or disclosed by said drawings, specifications, or other data.

MATERIAL	DRAWN R. MAO	DATE 21-Jun-12	TITLE BNC "T" ADAPTOR JACK-PLUG-JACK UG-274/U	Amphenol RF www.amphenolrf.com
REFERENCE AND CONFIGURATION LEVEL:	ENGINEER S. LI	DATE 21-Jun-12		
FINISH	APPROVED S. HSIEH	DATE 21-Jun-12	SCALE: 4.0:1.0 SHEET 2 OF 2	DRAWING NO. 31-8-NTS
	I:\BNC\31-8-NTS		DWG SIZE B	REV AT
				ITEM NO. 019073AAA00NJ5F
				PART NO. 31-8

# Mouser Electronics

Authorized Distributor

Click to View Pricing, Inventory, Delivery & Lifecycle Information:

[Amphenol:](#)

[31-8](#)