

NOTES:

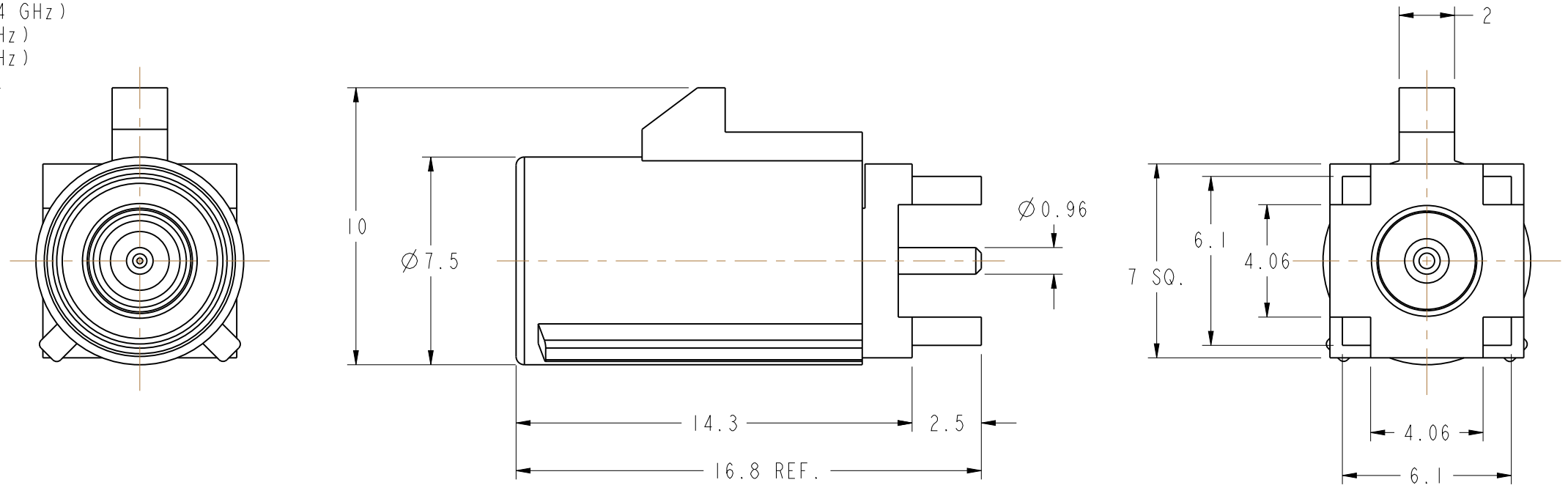
1. MATERIALS AND FINISHES(PLATING THICKNESS IN MICRO-INCHES):
 - BODY = BRASS, GOLD PL. 3 MIN.THICK OVER NICKEL
PL.100 MIN. THICK OVER COPPER STRIKE
 - CONTACT = BRASS, GOLD PL. 30 MIN.THICK OVER NICKEL
PL.100 MIN. THICK OVER COPPER STRIKE
 - LOCK COVER = NYLON46 (WITH 30% GLASS FIBER), COLOR PER AMPHENOL SPEC.
349-50688 (REFER TO TABLE BELOW FOR KEY CODE COLOR)
 - INSULATOR = TEFLON MIL-P-19468, COLOR: NATURAL
 - RING = BRASS, GOLD PL. 3 MIN.THICK OVER NICKEL
PL.100 MIN. THICK OVER COPPER STRIKE
2. ELECTRICAL:
 - A. IMPEDANCE: 50 OHM NOMINAL
 - B. FREQUENCY RANGE: DC-6 GHz (OPTIMIZED FOR DC - 4 GHz)
 - C. VSWR(RETURN LOSS): 1.4 (-15.6 dB), MAX.(DC-2 GHz)
(MATED PAIR) 1.5 (-13.9 dB), MAX.(2 -3 GHz)
 - D. DIELECTRIC WITHSTANDING VOLTAGE: 800 VRMS, MIN.
3. MECHANICAL:
 - A. DURABILITY: 100 CYCLES MIN.
 - B. TEMPERATURE RANGE: -40°C TO +100°C
4. PACKAGING:
 - A. QUANTITY: TRAY PACK
 - B. MARKING: TRAY TO BE MARKED
"AMPHENOL,FKI251XX-012-3GT30G-50,AND DATE CODE"
5. ALL DIMENSIONS MECHANIC & ELECTRICAL DESIGN COMPLY WITH DIN 72594-1 AND USCAR-18 SPEC.
6. RoHS COMPLIANT
7. MAX. SOLDERING TEMPERATURE +265°C FOR 10 SEC.
8. NOT COMPLIANT WITH USCAR-17 4.2.1 SIDELOAD

THIRD ANGLE PROJ.

REVISIONS

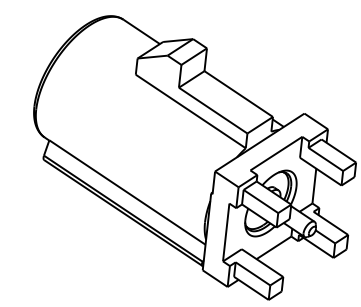
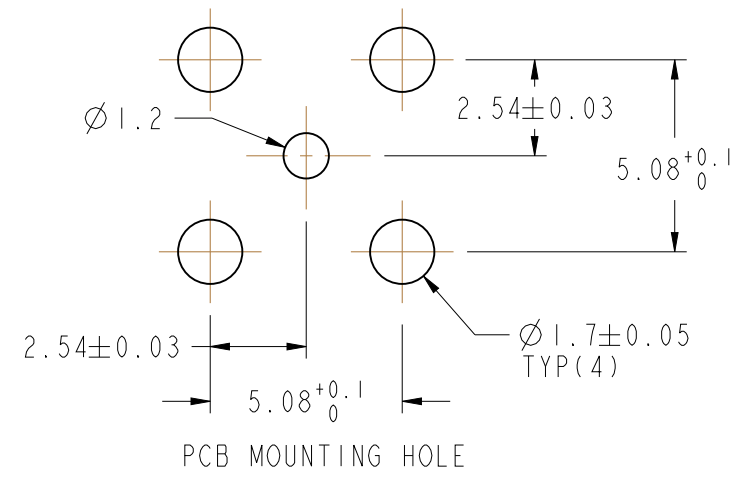
REV	DESCRIPTION	DATE	ECO	APPR
A	RELEASE TO MFG. ECO45975	17-Mar-06	-----	JERRY
B	ADDED REMARK 3, 4 AND DIM 8 REF, 2.3±0.25 WAS 2.3±0.1, FKBD01101 WAS FKBD01101A \RD-DM07101601E	23-Nov-07	-----	EMILY
C	ADD COD DRAWING. \RD-DM09031201S2	17-Mar-09	-----	SCOTT
D	ADDED PART NO. FAI-NXSP-PCBD6 & NOTE 8	03/31/16	00284	EW

**CONFIGURATION CONTROL:
NO CHANGES PERMITTED TO DRAWING WITHOUT
PPAP QUALIFIED CUSTOMER APPROVAL**



TABLE

CODING	DRAWING NO.	PART NO.	COLOR	RAL NO.
A	FKI251AW-012-3GT30G-50	FAI-NASP-PCBD6	JET BLACK	9005
B	FKI251BW-012-3GT30G-50	FAI-NBSP-PCBD6	CREAM	9001
C	FKI251CW-012-3GT30G-50	FAI-NCSP-PCBD6	SIGNAL BLUE	5005
D	FKI251DW-012-3GT30G-50	FAI-NDSP-PCBD6	CLARET VIOLET	4004
E	FKI251EW-012-3GT30G-50	FAI-NESP-PCBD6	LEAF GREEN	6002
F	FKI251FW-012-3GT30G-50	FAI-NFSP-PCBD6	NUT BROWN	8011
G	FKI251GW-012-3GT30G-50	FAI-NGSP-PCBD6	BLUE GREY	7031
H	FKI251HW-012-3GT30G-50	FAI-NHSP-PCBD6	HEATHER VIOLET	4003
I	FKI251IW-012-3GT30G-50	FAI-NISP-PCBD6	BEIGE	1001
K	FKI251KW-012-3GT30G-50	FAI-NKSP-PCBD6	CURRY	1027
L	FKI251LW-012-3GT30G-50	FAI-NLSP-PCBD6	CARMINE RED	3002
M	FKI251MW-012-3GT30G-50	FAI-NMSP-PCBD6	PASTEL ORANGE	2003
N	FKI251NW-012-3GT30G-50	FAI-NNSP-PCBD6	PASTEL GREEN	6019
Z	FKI251ZW-012-3GT30G-50	FAI-NZSP-PCBD6	WATER BLUE	5021



SCALE 2.500

CUSTOMER OUTLINE DRAWING
ALL OTHER SHEETS ARE FOR INTERNAL USE ONLY

UNLESS OTHERWISE SPECIFIED, DIMENSIONS ARE IN METRIC AND TOLERANCES ARE: 0.5 - 6mm ±0.1mm 6 - 30mm ±0.2mm 30 - 120mm ±0.3mm ANGLES ±1°	MATERIAL	DRAWN EMILY	DATE 23-Nov-07	TITLE FAKRA PCB MOUNT PLUG		Amphenol RF Danbury CT USA, Tainan, Taiwan, Shenzhen, China www.amphenolrf.com	
	REFERENCE	ENGINEER JERRY	DATE 23-Nov-07				
	FINISH	APPROVED ANGELA	DATE 23-Nov-07	SCALE: 1.0:1.0	SHEET 2 OF 2	DRAWING NO. FKI251XX-012-3GT30G-50	
		CAD FILE I:\FAKRA\FKI251XX-012-3GT30G-50		DWG SIZE B	CODE ID 74868	REV D	ITEM NO. FKI251AMX02GE5F

NOTICE - These drawings, specifications, or other data (1) are, and remain the property of Amphenol corp. (2) must be returned upon request; and (3) are confidential and not to be disclosed to any person other than those to whom they are given by Amphenol Corp. the finishing of these drawings, specifications, or other data by Amphenol Corp., or to any other person to anyone for any purpose is not to be regarded by implication or otherwise in any manner licensing, granting rights to permitting such holder or any other person to manufacture, use or sell any product, process or design, patented or otherwise, that may in any way be related to or disclosed by said drawings, specifications, or other data.

Mouser Electronics

Authorized Distributor

Click to View Pricing, Inventory, Delivery & Lifecycle Information:

[Amphenol:](#)

[FA1-NESP-PCBD6](#)