

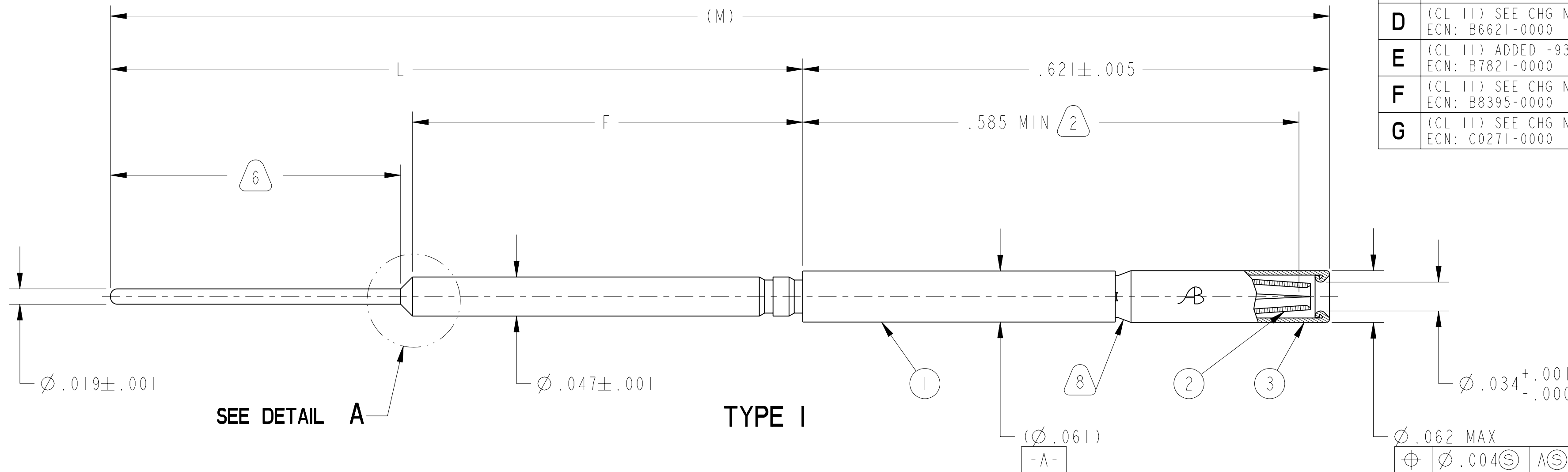
4

3

2

10-597878-() SHEET 1 OF 4 REV. G

REVISIONS		
LTR	DESCRIPTION	DATE
A	INITIAL RELEASE	1/25/10
B	(CL 11) SEE CHG NOTICE ECN: B1963-0000	12/12/11
C	(CL 11) SEE CHG NOTICE ECN: B5923-0000	6/14/13
D	(CL 11) SEE CHG NOTICE ECN: B6621-0000	1/22/14
E	(CL 11) ADDED -.93 & -.094 ECN: B7821-0000	2/26/14
F	(CL 11) SEE CHG NOTICE ECN: B8395-0000	4/30/14
G	(CL 11) SEE CHG NOTICE ECN: C0271-0000	4/18/16

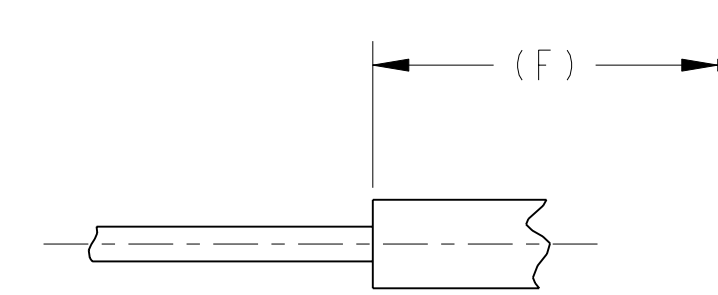


SEE DETAIL A

TYPE I

(Ø.061) -A-

Ø.062 MAX
 ⊕ ⊕ .004(S) A(S)



DETAIL A TYPE II SCALE 10

8 CRIMP SLEEVE AND SPRING TIGHTLY TO BODY PER 9-9383. A 15 POUND AXIAL LOAD SHALL NOT DISLODGE SPRING. SLEEVE SHALL WITHSTAND A .4 IN-OZ TORQUE WITHOUT SPINNING.

7. SPECIFIED GENERAL TOLERANCES: ⊕ ⊕ .005(S)

6 INDICATED AREA MEETS THE SOLDERABILITY REQUIREMENTS OF MIL-STD-202, METHOD 208.

5. MEETS THE APPLICABLE REQUIREMENTS OF M39029/56.

4. ALL DIMENSIONS ARE AFTER PLATING.

3. PROCESS SPEC: ASSY 9-9383 TEST 9-5272-16

2 INDICATED DIMENSION TO BE FROM SHOULDER TO POINT OF ENGAGEMENT OF SPRING AND A.0300±.0002 DIAMETER SQUARE ENDED PIN.

10. SOCKET SPRING TINES (ITEM 2) ARE GOLD PLATED PER AS39029 REQUIREMENTS.

9 TO COMPLETE PART NUMBER, ADD APPLICABLE SUFFIX DIGIT FOR CONTACT BODY FINISH

SUFFIX DIGIT	FINISH
1	GOLD 20-30 MICROINCHES
5	GOLD 9-7362-5
D	GOLD 9-7362-D

1. A.0305+.0002-.0000 DIA HARDENED STEEL PIN SHALL ENGAGE SOCKET WITH A FORCE NOT GREATER THAN 9.5 OZ. A .0295+.0000-.0002 DIAMETER HARDENED STEEL PIN SHALL DISENGAGE SOCKET WITH A FORCE NOT LESS THAN 1.25 OZ. DEPTH OF ENGAGEMENT OF PINS SHALL BE .116 MIN. FROM FRONT OF CONTACT. PINS SHALL HAVE A SPHERICAL TIP AND A 3/ FINISH.

NOTES: THE USE OF THIS DOCUMENT IS UNLIMITED. HOWEVER, DOCUMENTS REFERENCED HEREON MAY CONTAIN LIMITED RIGHTS DATA.

PRO/ENGINEER INFORMATION
Drawing Name: 10-597878

UNLESS OTHERWISE SPECIFIED SPECIFICATIONS
MATERIAL SPEC. N/A
PROCESS SPEC. SEE NOTE 3
DIM. & TOL. PER ASME Y14.5M; DRG PER MIL-DTL-31000; OTHER Amphenol Stds. PER 9-3800

POS	QTY	PART NUMBER	DESCRIPTION	NOTE
3	1	10-407914-22B	SLEEVE	8
2	1	10-597871-725	SPRING	8
1	1	10-597879-()	CONTACT BODY	

APPROVALS	DATE
PREPARED BY HTANG	20-Feb-09
ENGINEER IN CHARGE LRATCHFORD	
DESIGN MANAGER HJOHNSON	
DESIGN ACTIVITY GROUP MIL-AER DEVELOP	
THIRD ANGLE PROJECTION	

AMPHENOL CORPORATION
 40-60 DELAWARE AVENUE
 SIDNEY, N.Y. 13858

CONTACT, SOCKET, ELECTRICAL CONNECTOR
 SIZE 22D, TYPE LJT-R, HYBRID, PCB

SIZE **C** CAGE CODE **77820** DOCUMENT NO. **10-597878-()** REV. **G**

SCALE: 10.0 REF. 10-597872-451 SHEET 1 OF 4 10-497623

10-597878-() SHEET 1 OF 4 REV. G

DOCUMENT NO. 10-597878-()
 SHEET 2 OF 4
 REV. G

C

B

A

ASSEMBLY NUMBER	BODY	F	L	(M)	TYPE
10-597878-01()	10-597879-01()	.460 ^{+.000} _{-.015}	.816±.005	1.439	I
10-597878-02()	10-597879-02()	1.123 ^{+.000} _{-.015}	1.393±.005	2.016	
10-597878-03()	10-597879-03()	.460 ^{+.000} _{-.015}	.873±.005	1.496	
10-597878-04()	10-597879-04()	.460 ^{+.000} _{-.015}	.733±.005	1.356	
10-597878-05()	10-597879-05()	.460 ^{+.000} _{-.015}	1.031±.005	1.654	
10-597878-06()	10-597879-06()	1.000 ^{+.000} _{-.015}	1.393±.005	2.016	
10-597878-07()	10-597879-07()	.460 ^{+.000} _{-.015}	.671±.005	1.294	
10-597878-08()	10-597879-08()	.460 ^{+.000} _{-.015}	.768±.005	1.391	
10-597878-09()	10-597879-09()	.525 ^{+.000} _{-.015}	.700±.005	1.323	
10-597878-10()	10-597879-10()	.460 ^{+.000} _{-.015}	.553±.005	1.176	
10-597878-11()	10-597879-11()	.460 ^{+.000} _{-.015}	1.091±.005	1.714	
10-597878-12()	10-597879-12()	.525 ^{+.000} _{-.015}	.665±.005	1.288	
10-597878-13()	10-597879-13()	.840±.005	1.090±.005	1.713	
10-597878-14()	10-597879-14()	.900 ^{+.000} _{-.015}	1.139 ^{+.000} _{-.015}	1.762	
10-597878-15()	10-597879-15()	.460±.005	.948±.005	1.571	

9

ASSEMBLY NUMBER	BODY	F	L	(M)	TYPE	
10-597878-16()	10-597879-16()	.340±.005	.453±.005	1.076	I	
10-597878-17()	10-597879-17()	1.200 ^{+.000} _{-.015}	2.392±.005	3.015		
10-597878-18()	10-597879-18()	.280 ^{+.000} _{-.015}	.585±.005	1.208		
10-597878-19()	10-597879-19()	.303±.005	.454±.003	1.077		
10-597878-20()	10-597879-20()	1.123 ^{+.000} _{-.015}	1.427±.005	2.050		
10-597878-21()	10-597879-21()	.275±.003	.477±.005	1.100		
10-597878-22()	10-597879-22()	.439±.010	.590±.005	1.213		
10-597878-23()	10-597879-23()	.485±.005	.739±.003	1.362		
10-597878-24()	10-597879-24()	.415±.007	.790±.003	1.413		
10-597878-25()	10-597879-25()	.729±.003	.953±.005	1.576		II
10-597878-26()	10-597879-26()	.486 ^{+.000} _{-.015}	1.048±.010	1.671		I
10-597878-27()	10-597879-27()	.525 ^{+.000} _{-.015}	1.102±.003	1.725		
10-597878-28()	10-597879-28()	.621±.005	.801±.005	1.424		II
10-597878-29()	10-597879-29()	.876±.005	1.073±.005	1.696		
10-597878-30()	10-597879-30()	.590±.003	.690±.002	1.313		

9

NOTES: SEE SHEET I

THE USE OF THIS DOCUMENT IS UNLIMITED. HOWEVER, DOCUMENTS REFERENCED HEREON MAY CONTAIN LIMITED RIGHTS DATA.

DOCUMENT NO. 10-597878-()	SHEET 2 OF 4	REV. G
--------------------------------------	--------------	------------------

SIZE C	CAGE CODE 77820	DOCUMENT NO. 10-597878-()	REV. G
SCALE: 6.0		REF: 10-597872-451	SHEET 2 OF 4

D

C

I

G

Released

REV. G

SHEET 2 OF 4

DOCUMENT NO. 10-597878-()
 SHEET 2 OF 4
 REV. G

10-597878-1

SHEET 3 OF 4

C

B

A

ASSEMBLY NUMBER	BODY	F	L	(M)	TYPE
10-597878-31()	10-597879-31()	.460 ^{+.000} -.015	.783±.005	1.406	I
10-597878-32()	10-597879-32()	.804±.005	1.129±.003	1.752	
10-597878-33()	10-597879-33()	.479±.005	.754±.003	1.377	
10-597878-34()	10-597879-34()	.460±.005	1.203±.003	1.826	
10-597878-35()	10-597879-35()	.450±.005	.880±.005	1.503	II
10-597878-36()	10-597879-36()	.520±.003	.747±.005	1.370	
10-597878-37()	10-597879-37()	.730±.003	.830±.002	1.453	
10-597878-38()	10-597879-38()	.460 ^{+.000} -.015	1.017±.003	1.640	
10-597878-39()	10-597879-39()	1.577±.005	1.687±.005	2.310	II
10-597878-40()	10-597879-40()	.280 ^{+.000} -.015	.782±.005	1.405	
10-597878-41()	10-597879-41()	.588 ^{+.003} -.000	.730±.003	1.353	
10-597878-42()	10-597879-42()	.623±.005	.748±.005	1.371	
10-597878-43()	10-597879-43()	.340±.005	.460±.005	1.083	I
10-597878-44()	10-597879-44()	.280 ^{+.000} -.015	.782±.005	1.405	
10-597878-45()	10-597879-45()	1.450 ^{+.000} -.015	2.167±.003	2.790	
10-597878-46()	10-597879-46()	.520±.005	.833±.002	1.456	
10-597878-47()	10-597879-47()	.600±.003	.700±.003	1.323	II
10-597878-48()	10-597879-48()	.280 ^{+.000} -.015	.550±.005	1.173	I
10-597878-49()	10-597879-49()	.280±.005	.805±.005	1.428	
10-597878-50()	10-597879-50()	.257±.005	.503±.005	1.126	

9

NOTES: SEE SHEET I

THE USE OF THIS DOCUMENT IS UNLIMITED. HOWEVER, DOCUMENTS REFERENCED HEREON MAY CONTAIN LIMITED RIGHTS DATA.

ASEEMBY NUMBER	BODY	F	L	(M)	TYPE
10-597878-51()	10-597879-51()	.280 ^{+.000} -.015	.715±.005	1.338	I
10-597878-52()	10-597879-52()	.580±.003	.830±.005	1.453	
10-597878-53()	10-597879-53()	.460 ^{+.000} -.015	.965±.003	1.588	
10-597878-54()	10-597879-54()	.479±.005	1.054±.005	1.677	
10-597878-55()	10-597879-55()	.750±.005	1.060±.005	1.683	II
10-597878-56()	10-597879-56()	.800±.005	.986±.005	1.609	
10-597878-57()	10-597879-57()	.280 ^{+.000} -.015	.420±.003	1.043	
10-597878-58()	10-597879-58()	.637±.003	1.075±.004	1.698	
10-597878-59()	10-597879-59()	.460 ^{+.000} -.015	.850±.005	1.473	I
10-597878-60()	10-597879-60()	.600±.005	.938±.005	1.561	
10-597878-61()	10-597879-61()	.410±.003	.690±.003	1.313	
10-597878-62()	10-597879-62()	.438±.005	.754±.003	1.377	
10-597878-63()	10-597879-63()	.280 ^{+.000} -.015	.825±.005	1.448	I
10-597878-64()	10-597879-64()	.590±.005	.901±.005	1.524	
10-597878-65()	10-597879-65()	.460±.005	.915±.005	1.538	
10-597878-66()	10-597879-66()	.460±.005	.645±.003	1.268	
10-597878-67()	10-597879-67()	.280±.005	1.015±.005	1.638	I
10-597878-68()	10-597879-68()	.735±.005	1.169±.005	1.792	
10-597878-69()	10-597879-69()	.376±.005	.995±.005	1.618	

9

10-597878-1 G SHEET 3 OF 4

10-597878-()

SHEET 4 OF 4

REV: G

C

B

A

ASSEMBLY NUMBER	BODY	F	L	(M)	TYPE
10-597878-70()	10-597879-70()	.665±.002	.921±.002	1.544	
10-597878-71()	10-597879-71()	.460±.005	.655±.003	1.278	
10-597878-72()	10-597879-72()	.515±.003	.830±.005	1.453	
10-597878-73()	10-597879-73()	.455±.005	.603±.003	1.226	
10-597878-74()	10-597879-74()	.984±.005	1.215±.005	1.838	
10-597878-75()	10-597879-75()	.279±.005	.754±.003	1.377	
10-597878-76()	10-597879-76()	.381±.005	.645±.003	1.268	
10-597878-77()	10-597879-77()	.555±.005	.840±.005	1.463	
10-597878-78()	10-597879-78()	.690±.005	1.260±.005	1.883	
10-597878-79()	10-597879-79()	.607±.005	.895±.005	1.518	
10-597878-80()	10-597879-80()	.685 ^{+.000} _{-.015}	.915±.003	1.538	
10-597878-81()	10-597879-81()	.270±.005	.645±.005	1.268	
10-597878-82()	10-597879-82()	.722±.005	.952±.003	1.575	
10-597878-83()	10-597879-83()	.900±.005	1.365±.005	1.988	
10-597878-84()	10-597879-84()	.447±.003	.868±.003	1.491	
10-597878-85()	10-597879-85()	.325 ^{+.000} _{-.015}	.692±.005	1.315	
10-597878-86()	10-597879-86()	.280 ^{+.000} _{-.015}	.675±.005	1.298	
10-597878-87()	10-597879-87()	.710±.003	.910±.005	1.533	
10-597878-88()	10-597879-88()	.280 ^{+.000} _{-.015}	.465±.003	1.088	
10-597878-89()	10-597879-89()	.732±.005	.950±.005	1.573	

ASSEMBLY NUMBER	BODY	F	L	(M)	TYPE
10-597878-90()	10-597879-90()	.280 ^{+.000} _{-.015}	.530±.003	1.153	
10-597878-91()	10-597879-91()	.608±.005	.978±.005	1.601	
10-597878-92()	10-597879-92()	.280 ^{+.000} _{-.015}	.612±.003	1.235	
10-597878-93()	10-597879-93()	.460 ^{+.000} _{-.015}	.845±.005	1.468	
10-597878-94()	10-597879-94()	.280±.005	.627±.003	1.250	
10-597878-95()	10-597879-95()	.460 ^{+.000} _{-.015}	.895±.005	1.518	
10-597878-96()	10-597879-96()	.410±.003	.698±.003	1.319	
10-597878-97()	10-597879-97()	.415±.007	.795±.003	1.416	
10-597878-98()	10-597879-98()	.275±.003	.568±.005	1.189	
10-597878-99()	10-597879-99()	.735±.005	1.067±.005	1.688	
10-597878-100()	10-597879-100()	.415±.007	.900±.003	1.521	
10-597878-101()	10-597879-101()	.486 ^{+.000} _{-.015}	1.142±.005	1.763	
10-597878-102()	10-597879-102()	.280 ^{+.000} _{-.015}	.660±.002	1.281	
10-597878-103()	10-597879-103()	.460 ^{+.000} _{-.015}	1.000±.005	1.621	

D

C

I

G

Eng PDM Information For Reference Only

REV: G

SHEET 4 OF 4

10-597878-()

NOTES: SEE SHEET 1

THE USE OF THIS DOCUMENT IS UNLIMITED. HOWEVER, DOCUMENTS REFERENCED HEREON MAY CONTAIN LIMITED RIGHTS DATA.

DOCUMENT NO. 10-597878-() SHEET 4 OF 4 REV: G

SIZE: C CAGE CODE: 77820 DOCUMENT NO.: 10-597878-() REV: G
SCALE: 10.0 REF: 10-597872-451 SHEET 4 OF 4

Mouser Electronics

Authorized Distributor

Click to View Pricing, Inventory, Delivery & Lifecycle Information:

[Amphenol:](#)

[10-597878-031](#)

[10-597878-041](#)

[10-597878-011](#)

[10-597878-621](#)

[10-597878-661](#)

[10-597878-071](#)

[10-597878-151](#)