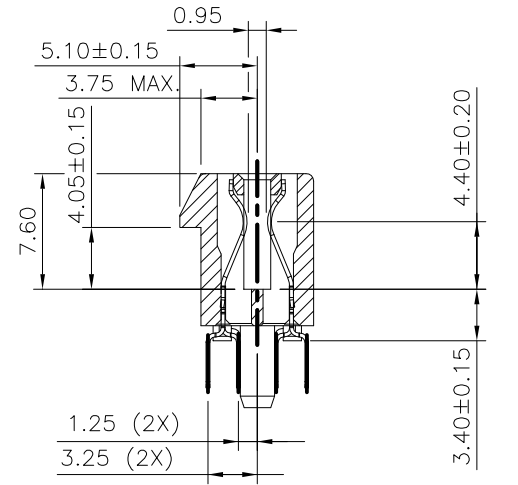
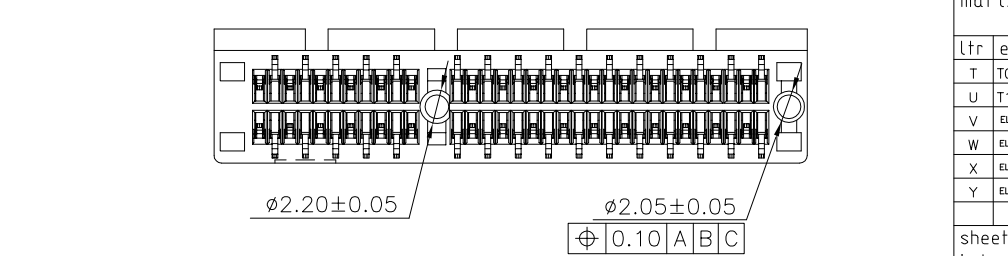
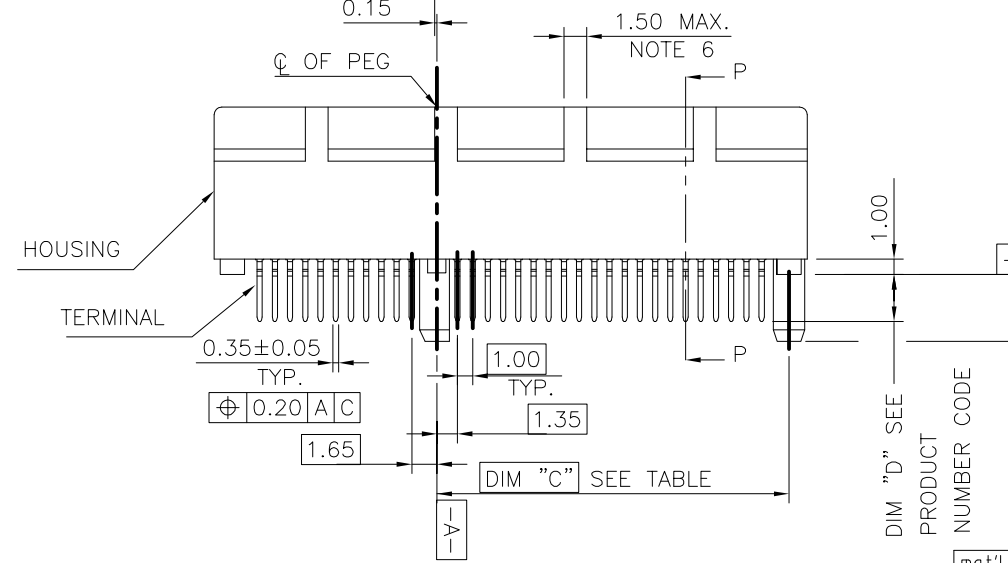
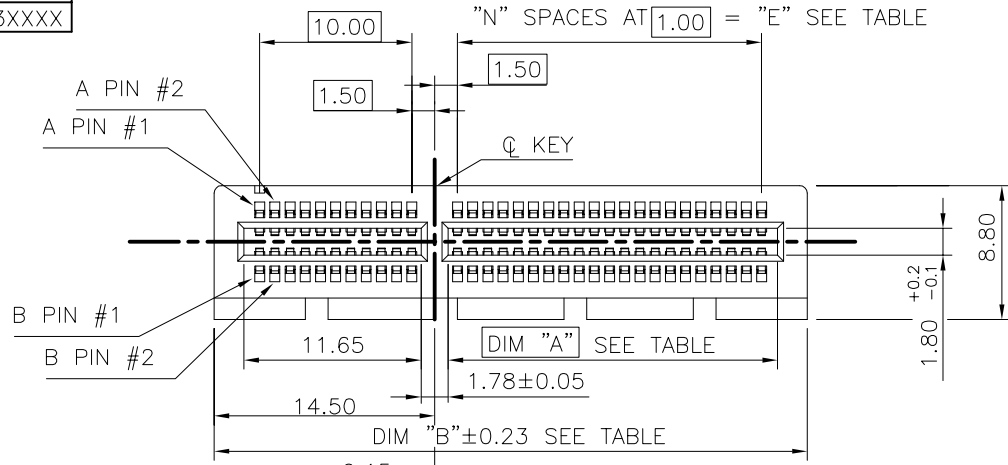
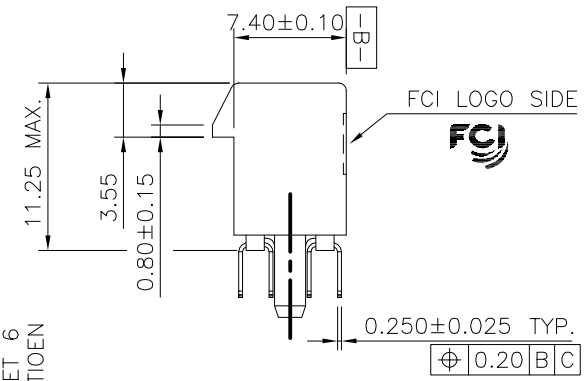


PRODUCT NO.
10018783-X0XXXX
10018783-X3XXXX



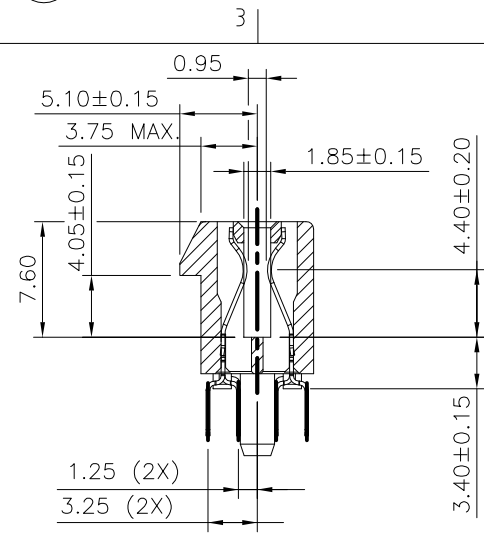
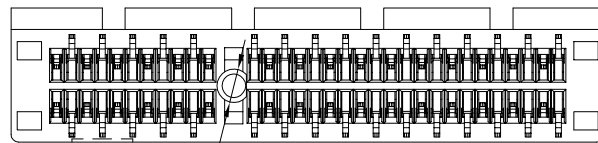
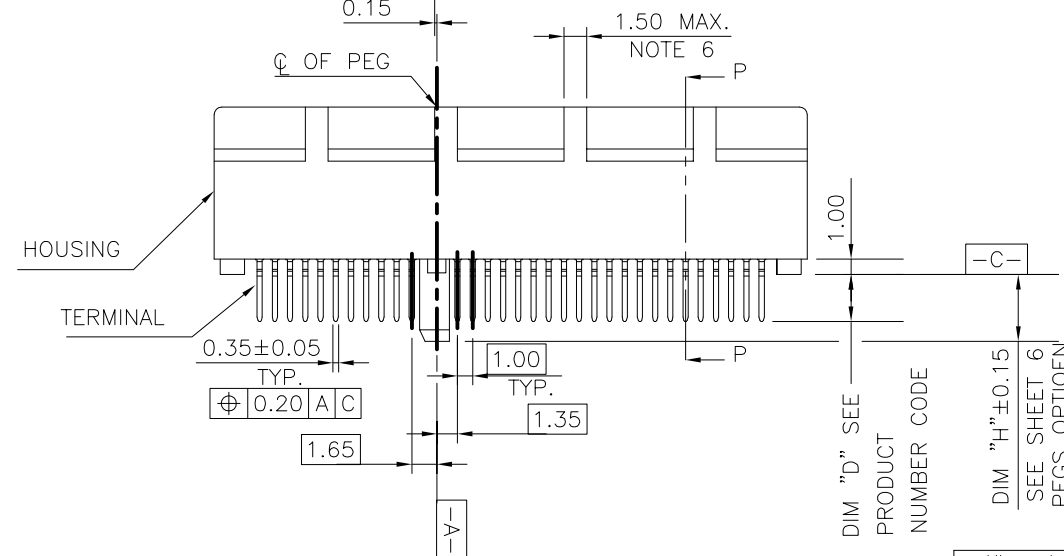
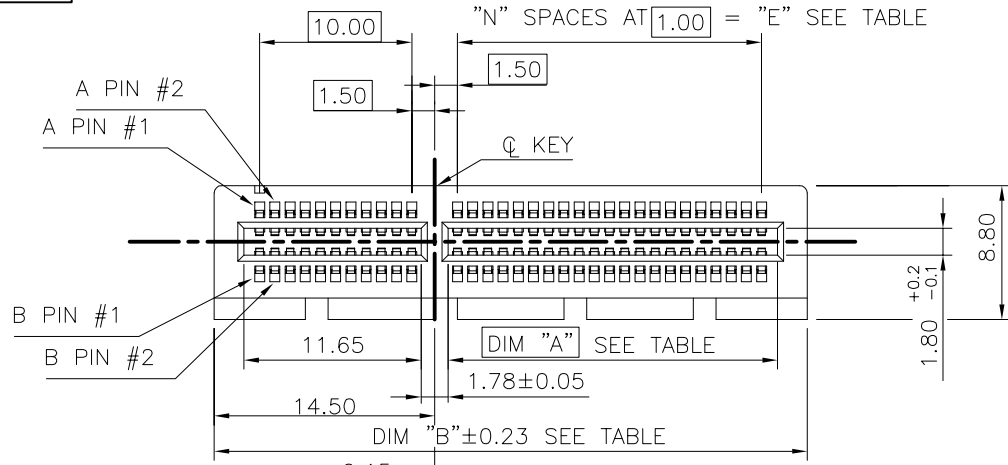
SECTION P-P



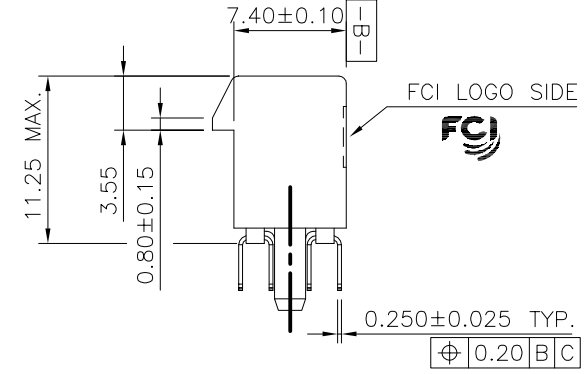
TWIN PLASTIC PEG TYPE

mat'l. code		surface		tolerance		projection		product family	
-		-		ASME_Y14.5		MM		PCI_EXPRESS	
lfr ecn no dr date		tolerances unless otherwise specified		angles		MM		title	
T	T05-0208	M-W	09/15/05	LineGr		MM		PCI_EXPRESS_GEN3	
U	T10-0007	J-H	1/20/10	±2'		scale N/A		CARD_EDGE_ASSY	
V	ELX-DG-18311	S-T	07/16/14	Stone Li		01/13/15		dwg no	
W	ELX-DG-20070	S-T	01/23/15	Stone Li		01/13/15		sheet 1 of 7	
X	ELX-DG-24598	LZH	07/28/16	/		/		size	
Y	ELX-DG-26092	LZH	02/14/17	appd Collins Lu		01/13/15		A4	
sheet index		revision Y		Amphenol FCI		type		CUSTOMER Drawing	
sheet									

PRODUCT NO.
10018783-X2XXXX



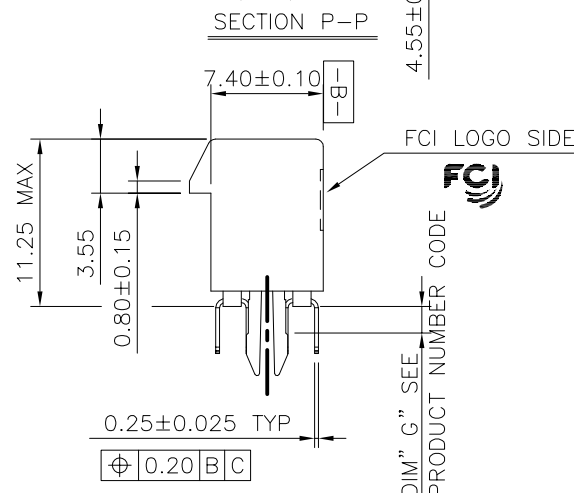
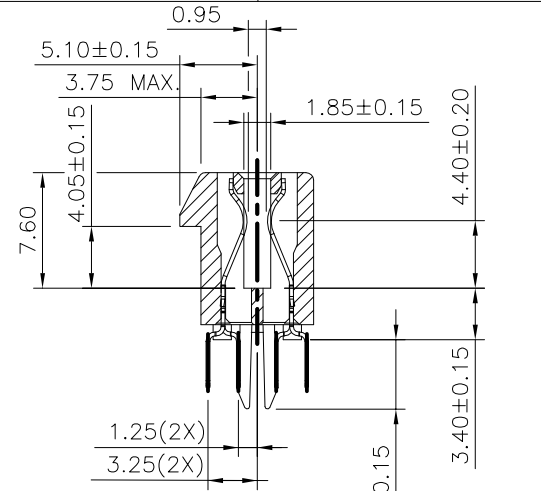
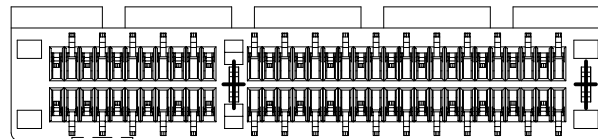
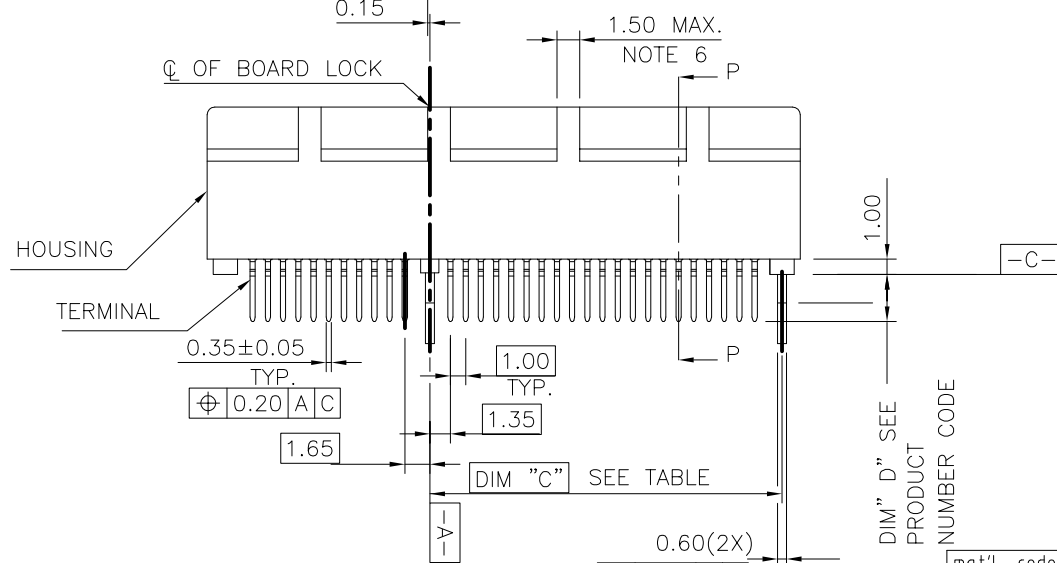
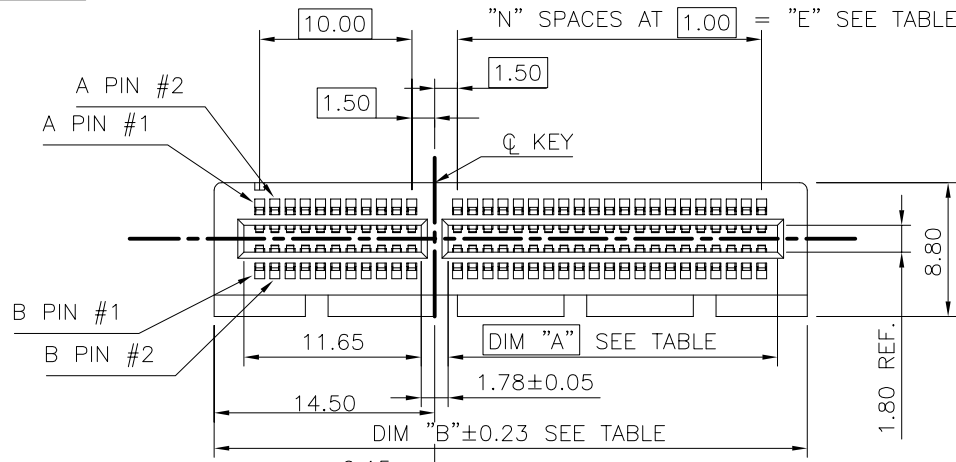
SECTION P-P



SINGLE PLASTIC PEG TYPE

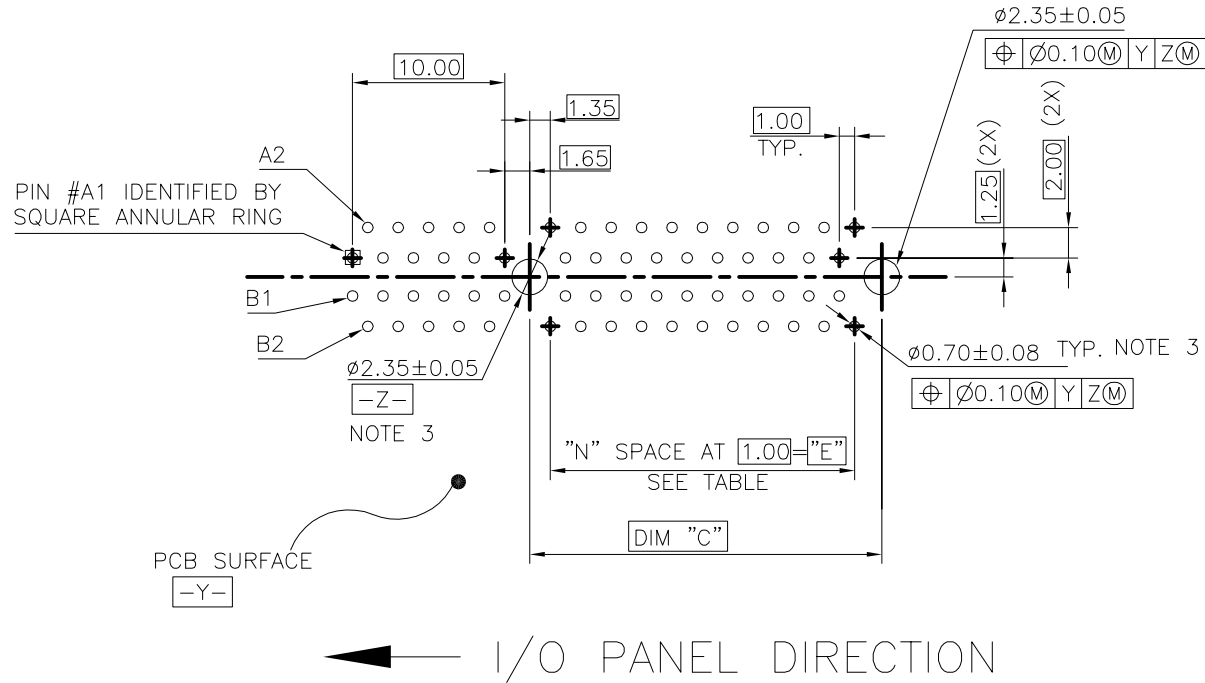
mat'l. code		surface		tolerance		projection		product family	
-		-		ASME_Y14.5		⊕		PCI_EXPRESS	
lfr		ecn no		dr		date		title	
								PCI_EXPRESS_GEN3 CARD_EDGE_ASSY	
		angles		LineAr		MM		dwg no	
		±2'		.02±0.30 .00±0.20 .000±0.10		scale N/A		sheet 2 of 7	
		dr		Stone Li		01/13/15		size	
		enr		Stone Li		01/13/15		A4	
		chr		/		/		10018783	
		appd		Collins Lu		01/13/15		type	
								CUSTOMER Drawing	
sheet index		revision sheet		Y					

PRODUCT NO.
10018783-X1XXXX



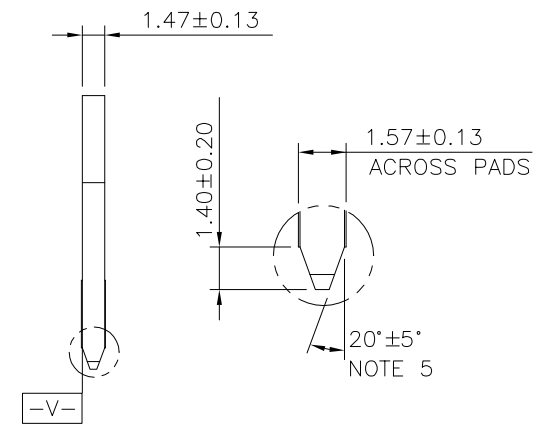
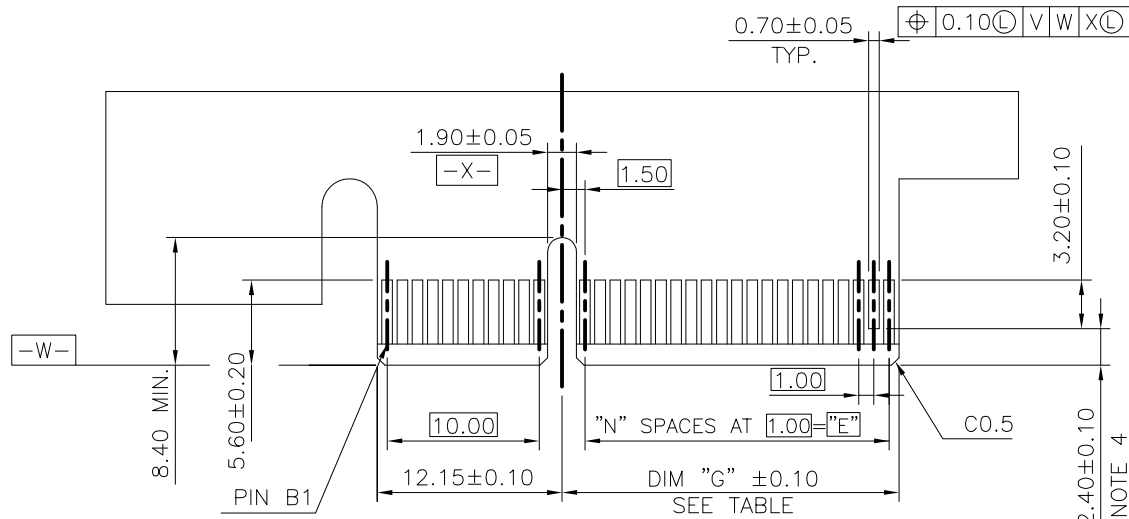
METAL BOARD LOCKS TYPE

mat'l. code		surface		tolerance	projection	product family	
-		-		ASME_Y14.5	MM	PCI_EXPRESS	
lfr		ecn no	dr	date	tolerances unless otherwise specified		title
					angles	PCI_EXPRESS_GEN3	
					Linear	CARD_EDGE_ASSY	
					±2'	scale N/A	
		dr	Stone Li	01/13/15	Amphenol FCI		dwg no
		enfr	Stone Li	01/13/15			sheet 3 of 7
		chr	/	/			size
		appd	Collins Lu	01/13/15			A4
sheet index		revision sheet	Y				type
							CUSTOMER Drawing



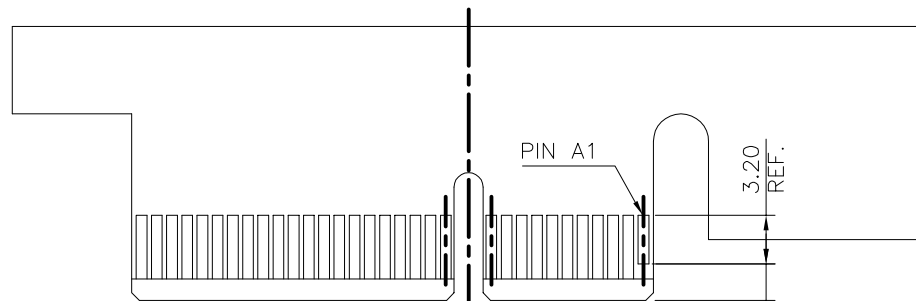
RECOMMENDED FOOTPRINT

mat'l. code		-		surface		- ✓		tolerance		ASME_Y14.5		projection		product family		PCI_EXPRESS	
lfr		ecn no		dr		date		tolerances unless otherwise specified		MM		title		PCI_EXPRESS_GEN3		CARD_EDGE_ASSY	
								angles		.0±.0.30		scale N/A		dwg no		sheet 4 of 7 size	
								±2'		.00±.0.20		Amphenol FCI		10018783		A4	
								dr		Stone Li							
								enrg		Stone Li							
								chr		/							
								appd		Collins Lu						CUSTOMER Drawing	
sheet index		revision sheet		Y													



SCALE 2:1

← I/O PANEL DIRECTION
PRIMARY (COMPONENT) SIDE



I/O PANEL DIRECTION →
SECONDARY (SOLDER) SIDE

PIN "F" SEE TABLE 2.40±0.10 NOTE 4

PIN "F" SEE TABLE 2.40±0.10 NOTE 4

#	POS	REF.	N	DIM "G"	"F"
36	6		8.15	B17	
64	20		22.15	B31	
98	37		39.15	B48	
164	70		72.15	B81	

ADD-IN CARD EDGE-FINGER DIMENSIONS

mat'l. code		surface		tolerance		projection		product family	
-		-		ASME_Y14.5		⊕		PCI_EXPRESS	
lfr		ecn no		dr		date		tolerances unless otherwise specified	
								MM	
				angles		Linear		scale N/A	
				±2'				Amphenol FCI	
		dr		Stone Li		01/13/15		dwg no	
		enfr		Stone Li		01/13/15		sheet 5 of 7	
		chr		/		/		size	
		appd		Collins Lu		01/13/15		10018783	
sheet index		revision		Y				type	
		sheet						CUSTOMER Drawing	

NOTES:

1.MATERIAL:

HOUSING: HIGH TEMPERATURE NYLON, GLASS FILLED UL94V-0 RATED.
 TERMINAL: COPPER ALLOY.
 PLATING: SEE PRODUCT NUMBER CODE
 METAL BOARD LOCKS: COPPER ALLOY.
 FINISH: 100u" TIN OVER 50u" NICKEL

2.PRODUCT SPECIFICATION: GS-12-233.

③THE HORIZONTAL AXIS FOR THE HOLE PATTERN IS ESTABLISHED BY

A LINE THROUGH THE CENTER OF THE TWO Ø2.35 HOLES.
 THE VERTICAL AXIS IS 90° TO THE HORIZONTAL AXIS, THROUGH THE CENTER OF DATUM Z.

④NO TIE BAR PERMITTED FROM CARD EDGE TO LEADING EDGE OF PAD FOR PINS A1 AND PIN NUMBERS "F".

⑤CHAMFER EDGES MUST BE FREE OF CUTTING BURRS.

⑥FREQUENCY & LOCATION AT SUPPLIER DISCRETION. RIDGE MAY BE CONTINUOUS WITH NO BREAKS.

7.RoHS COMPATIBLE PRODUCT SPECIFICATIONS:

a - PLATING:

- "LF" MEANS THE PRODUCT IS LEAD-FREE.



b - MANUFACTURING PROCESS COMPATIBILITY:

- THE HOUSING WILL WITHSTAND EXPOSURE TO 260°C PEAK TEMPERATURE FOR 10 SECONDS IN WAVE-SOLDERING APPLICATION, IF RE-FLOW/PIP SOLDERING APPLICATION WILL BE APPLIED, THE PRODUCT(PART BASE NUMBER 10108777) IS RECOMMENDED.

CONNECTOR	# POS REF.	N	DIM "A"	DIM "B"	DIM "C"	"E"
1 PORT	36	6	7.65	25.00	9.15	6.00
4 PORT	64	20	21.65	39.00	23.15	20.00
8 PORT	98	37	38.65	56.00	40.15	37.00
16 PORT	164	70	71.65	89.00	73.15	70.00

PRODUCT NUMBER CODE

10018783 -x x x x x x □ □

LEAD FREE OPTION

"LF" FOR TERMINAL PLATING OPTION 0,1,2

PACKAGING OPTIONS

T-SOFT TRAY PACKAGING
 M-SOFT TRAY PACKAGING & MYLAR TAPE. SEE FIGULE 1
 Y-HARD TRAY PACKAGING (FOR 36P 98P AND 164P ONLY)
 Z-HARD TRAY PACKAGING WITH MYLAR (FOR 36P 98P AND 164P ONLY)
 E-HARD TRAY PACKAGING WITH ANTI-STATIC SHIELDING BAG (FOR 164P ONLY)
 R-TAPE & REEL PACKAGING (FOR 36, 64, 98P)
 A-TAPE & REEL PACKAGING WITH MYLAR (FOR 36, 64, 98P)

POS OPTIONS

0-36
 1-64
 2-98
 3-164

TAIL LENGTH OPTIONS

	DIM "D"	PCB THICKNESS	BOARD LOCKS DIM "G"
0	2.30 ±0.25	1.56±0.10	1.70±0.15
1	3.10 ±0.25	2.36±0.10	2.50±0.15
2	2.54±0.25	1.56±0.10	1.70±0.15
3	1.90±0.25	1.56±0.10	1.70±0.15

HOUSING COLOR OPTIONS

0-NATURAL
 1-BLACK

PEGS OPTIONS

0-PLASTIC PEGS, DIM "H"=4.4
 1-METAL BOARD LOCKS
 2-SINGLE PLASTIC PEGS, DIM "H"=4.4
 3-PLASTIC PEGS, DIM "H"=2.8

TERMINAL PLATING OPTIONS

0-50u" Ni UNDERPLATE
 30u" Au CONTACT AREA
 100u" TIN TAIL AREA ----- COMPATIBLE RoHS
 1-50u" Ni UNDERPLATE
 15u" Au CONTACT AREA
 100u" TIN TAIL AREA ----- COMPATIBLE RoHS
 2-50u" Ni UNDERPLATE
 GOLD FLASH CONTACT AREA
 100u" TIN TAIL AREA ----- COMPATIBLE RoHS

mat'l. code		surface		tolerance		projection		product family	
-		-		ASME_Y14.5				PCI_EXPRESS	
lfr		ecn no		dr		date		title	
								PCI_EXPRESS_GEN3 CARD_EDGE_ASSY	
				angles		MM		dwg no	
				±2'		scale N/A		sheet 6 of 7 size	
				dr		Stone Li		10018783	
				enfr		Stone Li		A4	
				chr		/		type	
				appd		Collins Lu		CUSTOMER Drawing	
sheet index		revision sheet		Y					

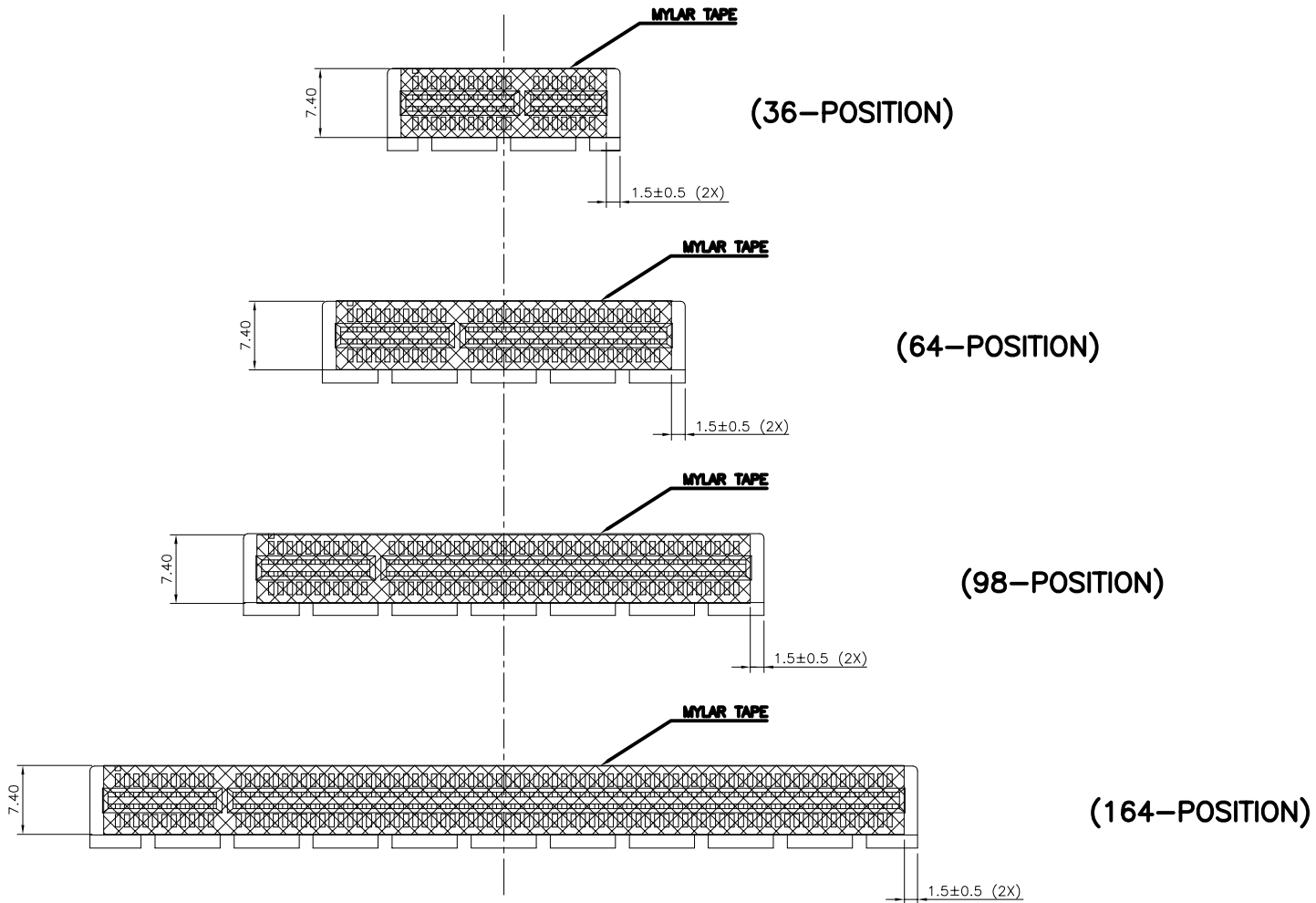


FIGURE 1

mat'l. code		-		surface	-	tolerance	ASME_Y14.5	projection	product family	PCI_EXPRESS
lfr		ecn no	dr	date	tolerances unless otherwise specified			 MM	title	
					angles	linear	.02±0.30		PCI_EXPRESS_GEN3	
					±2'		.00±0.20	scale N/A	CARD_EDGE_ASSY	
					dr	Stone Li	01/13/15		dwg no	
					enfr	Stone Li	01/13/15		sheet 7 of 7	
					chr	/	/		size	
					appd	Collins Lu	01/13/15		A4	
sheet index		revision sheet	Y						type	
									CUSTOMER Drawing	

Mouser Electronics

Authorized Distributor

Click to View Pricing, Inventory, Delivery & Lifecycle Information:

[FCI / Amphenol:](#)

[10018783-10003LF](#) [10018783-10100T](#) [10018783-10101T](#) [10018783-10102T](#) [10018783-10103T](#) [10018783-10110T](#)
[10018783-10111T](#) [10018783-10113T](#) [10018783-10112T](#) [10018783-10003ZLF](#) [10018783-10201RLF](#) [10018783-](#)
[11013YLF](#) [10018783-13033TLF](#) [10018783-10203MLF](#) [10018783-10003YLF](#) [10018783-10203YLF](#) [10018783-](#)
[10201ALF](#) [10018783-10010GLF](#) [10018783-11000RLF](#) [10018783-10221TLF](#) [10018783-10112CLF](#) [10018783-](#)
[11210YLF](#)