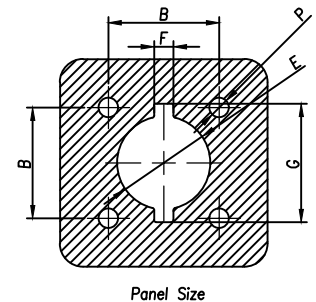
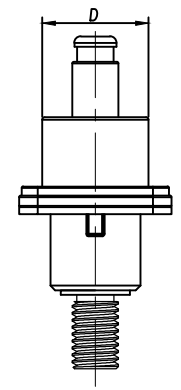
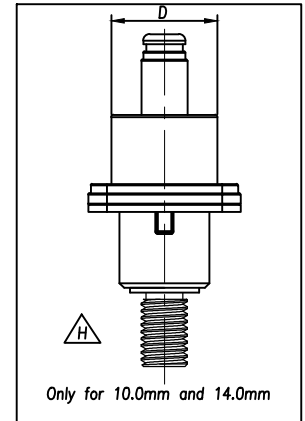
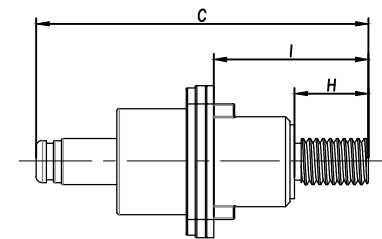
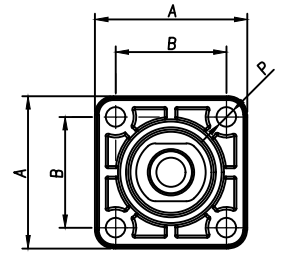
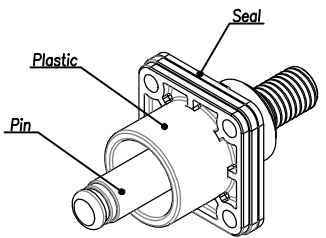


CUSTOMER DRAWING

REVISIONS				
REV	DESCRIPTION	DATE	BY	APPR
A	INITIAL RELEASE	12/12/13	DH	EC
B	CHANGE THE STRUCTURE	01/26/14	DH	EC
C	CHANGE THE STRUCTURE	02/07/14	DH	EC
D	ADD TORQUE FORCE	03/19/14	DH	EC
E	ADD SIZE 14.0mm	06/12/14	DH	EC
F	CHANGE DIMENSION "E, G" FOR SIZE 14.0	09/15/14	DH	EC
G	CHANGE 14.0mm SIZE	03/19/15	VF	EC
H	Add a view of 10.0 and 14.0	01/11/18	KW	JG



Ordering Example:

RL 9 080 - 10 X - F1

RadLok _____
 RadLok Pin _____
 RadLok Size: \varnothing 8.0mm _____
 Pin To Thread _____
 Plating: 1 - Silver _____
 2 - Tin _____
 3 - Nickel _____
 Feed Thru _____

Specification														
Size (mm)	A (mm)	B (mm)	C (mm)	D (mm)	E (mm)	F (mm)	G (mm)	H (mm)	I (mm)	Thread	P	Current (A)	Ordering Number (XXX-For Plating)	Plating
3.6	21.0	14.0	43.9	11.9	11.9	2.8	15.2	8	22.2	M4x0.7-6g	M3	70	RL9036-10X-F1	1 Silver
														2 Tin
														3 Nickel
5.7	25.0	17.0	49.6	15.2	14.7	2.8	18.2	10	24.2	M6x1.0-6g	M4	120	RL9057-10X-F1	
8.0	30.0	21.0	56.4	19.6	18.2	4.2	23.7	12	25.0	M8x1.25-6g	M4	200	RL9080-10X-F1	
10.0	33.0	24.0	67.0	23.0	20.6	4.2	25.7	16	29.0	M10x1.5-6g	M4	300	RL9100-10X-F1	
12.0	36.0	26.0	72.0	25.5	23.3	4.2	27.7	20	33.0	M12x1.75-6g	M4	400	RL9120-10X-F1	
14.0	37.0	27.0	83.0	28.0	27.3	4.2	31.8	23	36.0	M12x1.75-6g	M4	500	RL9140-10X-F1	

Note:
The maximum thickness of recommended install panel is 3mm.

Size(mm)	3.6	5.7	8.0	10.0	12.0	14.0
Torque Force (N.m)	2.5±0.2	4±0.4	7.5±0.5	20±1	24±1	32±1



Amphenol Technical Products International GZ

第三角投影 THIRD ANGLE PROJECTION		页面 SHEET	幅面 SIZE	版次 REV.	比例 SCALE	PART NAME: RADLOK® Feed Thru Pin To Thread	
1 OF 2		A3	H			DWG NO: See Table	
签名 SIGNATURE		日期 DATE		UNLESS OTHERWISE SPECIFIED		CUST PART #:	
制图 DRAWN	KW	01/11/2018		1) All dimensions are in metric(mm).		See Table	
审核 CHECKED	SAW	01/11/2018		2) Tolerances are as follows:		CUST REV.	
批准 APPROVAL	JG	01/11/2018		0 PL DEC ±1.00		N/A	
				1 PL DEC ±0.50		H	
				2 PL DEC ±0.20			
				Angles ±1°			


THIS DRAWING IS SUPPLIED FOR INFORMATION ONLY. DESIGN FEATURES, SPECIFICATIONS AND PERFORMANCE DATA SHOWN HEREON ARE THE PROPERTY OF THE AMPHENOL CORPORATION. NO RIGHTS OF REPRODUCTION ARE IMPLIED. ALL DIMENSIONS ARE SUBJECT TO NORMAL MANUFACTURING VARIATIONS.

CUSTOMER DRAWING

REVISIONS				
REV	DESCRIPTION	DATE	BY	APPR
A	INITIAL RELEASE	12/12/13	DH	EC
B	CHANGE THE STRUCTURE	01/26/14	DH	EC
C	CHANGE THE STRUCTURE	02/07/14	DH	EC
D	ADD TORQUE FORCE	03/19/14	DH	EC
E	ADD SIZE 14.0mm	06/12/14	DH	EC
F	CHANGE DIMENSION "E, G" FOR SIZE 14.0	09/15/14	DH	EC
G	CHANGE 14.0mm SIZE	03/19/15	VF	EC
H	Add a view of 10.0 and 14.0	01/11/18	KW	JG

Table					
Plating Type	R4 Size	Description	Part Number		
			Color:Black	Color:Orange	Color:Red
Silver 镀银	3.6mm	RL9036-101-F1 M4	AC-HA000375	AC-HA001613	AC-HA001703
	4.8mm	RL9048-101-F1 M5	AC-HA000376	AC-HA001614	AC-HA001704
	5.7mm	RL9057-101-F1 M6	AC-HA000377	AC-HA001615	AC-HA001705
	8.0mm	RL9080-101-F1 M8	AC-HA000378	AC-HA001616	AC-HA001706
	9.1mm	RL9091-101-F1 M9	AC-HA000379	AC-HA001617	AC-HA001707
	10.0mm	RL9100-101-F1 M10	AC-HA000380	AC-HA001618	AC-HA001708
	12.0mm	RL9120-101-F1 M12	AC-HA000381	AC-HA001619	AC-HA001709
Tin 镀锡	3.6mm	RL9036-102-F1 M4	AC-HA001014	AC-HA001643	AC-HA001733
	4.8mm	RL9048-102-F1 M5	AC-HA001015	AC-HA001644	AC-HA001734
	5.7mm	RL9057-102-F1 M6	AC-HA001016	AC-HA001645	AC-HA001735
	8.0mm	RL9080-102-F1 M8	AC-HA001017	AC-HA001646	AC-HA001736
	9.1mm	RL9091-102-F1 M9	AC-HA001018	AC-HA001647	AC-HA001737
	10.0mm	RL9100-102-F1 M10	AC-HA001019	AC-HA001648	AC-HA001738
	12.0mm	RL9120-102-F1 M12	AC-HA001020	AC-HA001649	AC-HA001739
Nickel 镀镍	3.6mm	RL9036-103-F1 M4	AC-HA000324	AC-HA001673	AC-HA001763
	4.8mm	RL9048-103-F1 M5	AC-HA000325	AC-HA001674	AC-HA001764
	5.7mm	RL9057-103-F1 M6	AC-HA000326	AC-HA001675	AC-HA001765
	8.0mm	RL9080-103-F1 M8	AC-HA000327	AC-HA001676	AC-HA001766
	9.1mm	RL9091-103-F1 M9	AC-HA000328	AC-HA001677	AC-HA001767
	10.0mm	RL9100-103-F1 M10	AC-HA000329	AC-HA001678	AC-HA001768
	12.0mm	RL9120-103-F1 M12	AC-HA000330	AC-HA001679	AC-HA001769
14.0mm	RL9140-103-F1 M12	AC-HA000331	AC-HA001680	AC-HA001770	

THIS DRAWING IS SUPPLIED FOR INFORMATION ONLY. DESIGN FEATURES, SPECIFICATIONS AND PERFORMANCE DATA SHOWN HEREON ARE THE PROPERTY OF THE AMPHENOL CORPORATION. NO RIGHTS OF REPRODUCTION ARE IMPLIED. ALL DIMENSIONS ARE SUBJECT TO NORMAL MANUFACTURING VARIATIONS.

		Amphenol Technical Products International GZ				
		第三角投影 THIRD ANGLE PROJECTION	页面 SHEET	幅面 SIZE	版次 REV.	比例 SCALE
签名 SIGNATURE	日期 DATE	2 OF 2 A3 H			DWG NO: See Table	
制图 DRAWN	KW	01/11/2018	UNLESS OTHERWISE SPECIFIED 1) All dimensions are in metric(mm). 2) Tolerances are as follows: 0 PL DEC ±1.00 1 PL DEC ±0.50 2 PL DEC ±0.20			CUST PART #: N/A
审核 CHECKED	SAM	01/11/2018	Angles ±1°			CUST REV. H
批准 APPROVAL	JG	01/11/2018				

Mouser Electronics

Authorized Distributor

Click to View Pricing, Inventory, Delivery & Lifecycle Information:

Amphenol:

[RL9036-103-F1](#) [RL9120-103-F1](#) [RL9100-103-F1](#) [RL9080-103-F1](#) [RL9057-103-F1](#) [RL9100-101-F1](#) [RL9100-101-F1-RE](#) [RL9120-103-F1RE](#) [RL9100-10-1-F1BK](#) [RL9057-101-F1-RE](#) [RL9057-101-F1-BK](#) [RL9-080-101-F1-RED](#) [RL9-057-101-F1-RED](#) [RL9100-101-F1RE](#) [RL9057-101-F1RE](#)