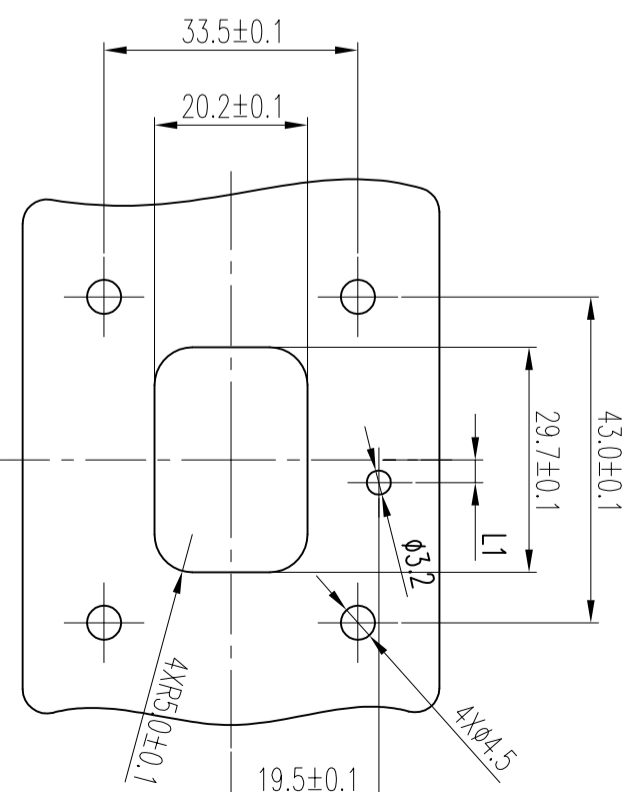
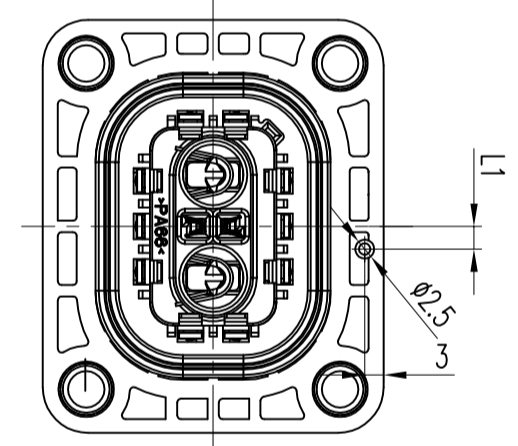
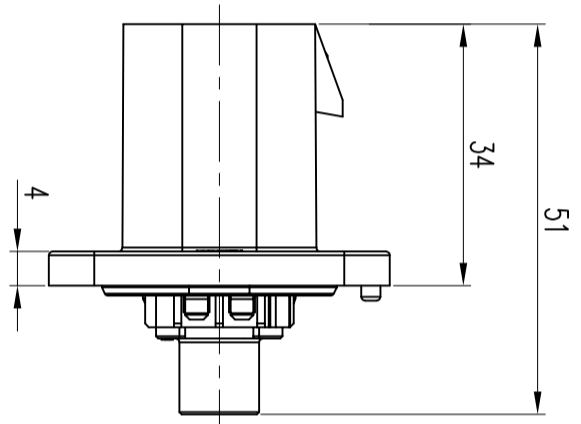
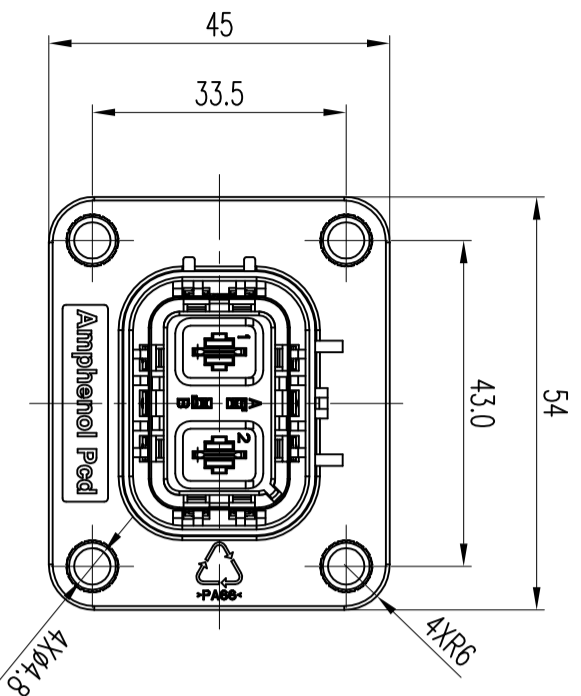


Amphenol PCD SZ  
ORIGINAL  
PDF Format  
02 Dec. 13R&D



KEY	A	B	C	D	E
L1 (Receptacle)	0	3	6	-3	-6
(Mounting panel)	0	-3	-6	3	6

REV	ECN	DESCRIPTION	DATE	MODIFIED
1		PRE-RELEASE	2013.09.16	
2		UPDATE	2013.11.01	G.TANG
3		UPDATE	2013.12.01	G.TANG

C-HVSL 630 02 2 X

C-HVSL 630 02 2 X

**\*NOTES:**  
1.Default PACKING ARE NOT INCLUDING CONTACT FOR NOT CONNECTING CABLE, FOR CORRECT SELECTION PLEASE REF. TABLE BELOW.

OPTION FOR CONTACT SELECTION	
MAIN CONTACT	HML CONTACT
C310003622	C310003613

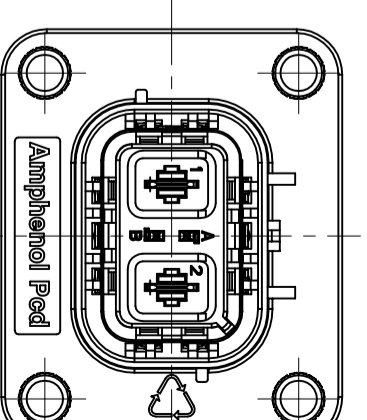
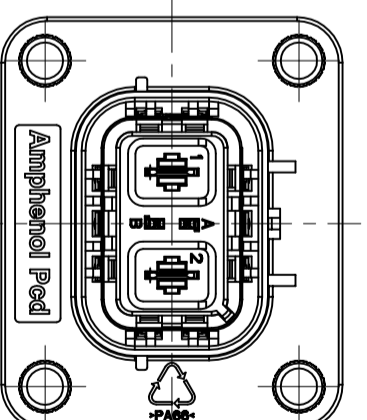
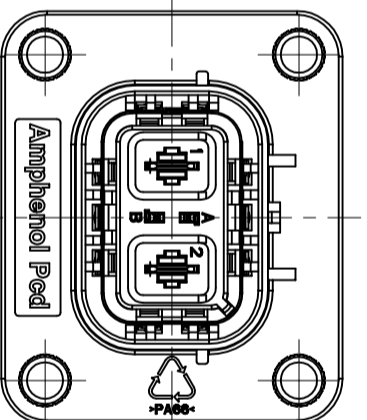
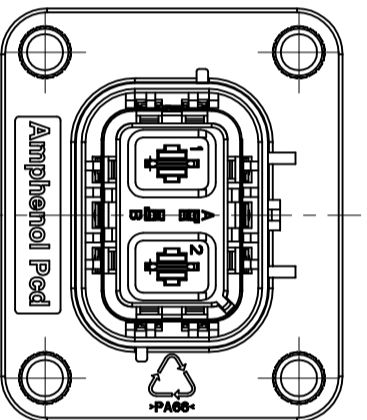
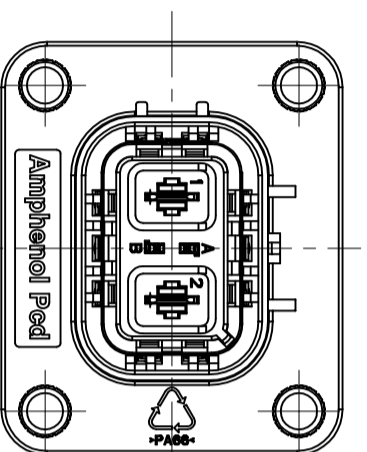
C-HVSL 630 02 2 X

**\*TECHNICAL PARAMETERS**

**Material**  
Housing : PA66 UL94-V0  
Contacts: Copper alloy,Silver plated  
Shield: Copper alloy  
Seal: Silicone

**Mechanical data**  
Operating Temperature:-40°C~+125°C  
Durability: 30 cycles  
Contact Type: Crimping  
IP67,JP2XB

**Electrical data**  
Withstand Voltage:3000V AC r.m.s  
Rated Current : 23A(4mm<sup>2</sup> cable)  
40A(6mm<sup>2</sup> cable)  
Rated Voltage:630V  
Insulation Resistance: >200MΩ  
Contact Resistance: < 2mΩ  
Suited to fit 4~6mm<sup>2</sup> cable  
Shielded



KEY A  
HVSL 630 02 2 A

KEY B  
HVSL 630 02 2 B

KEY C  
HVSL 630 02 2 C

KEY D  
HVSL 630 02 2 D

KEY E  
HVSL 630 02 2 E

DIMENSIONS	TOLERANCES	PROJECTION
ANSI Y14.5M UNITS: MM CAD FILE	X ± 0.1 .XX ± 0.02 ANGLES ± 0.5°	

Amphenol Pcd Shenzhen

ENGR G.TANG  
CHKD  
2013.09.16

TITLE  
HVSL630  
RECEPTACLE ASSEMBLY

ORIGINAL  
NOT FOR  
CUSTOMER  
DISTRIBUTION

THIS DOCUMENT CONTAINS  
PROPRIETARY INFORMATION WHICH  
IS THE CONFIDENTIAL PROPERTY  
OF AMPHENOL PCD SHENZHEN

SIZE A3  
DWG NO. C-HVSL 630 02 2 X  
SCALE 1:1  
SHEET 1 OF 1  
REV 3

# Mouser Electronics

Authorized Distributor

Click to View Pricing, Inventory, Delivery & Lifecycle Information:

## Amphenol:

[HVSL630022B106](#) [HVSL630022A106](#) [HVSL630022E106](#) [HVSL630022D106](#) [HVSL630022D006](#) [HVSL630022B006](#)  
[HVSL630022C106](#) [HVSL630022E006](#) [HVSL630022A006](#) [HVSL630022C006](#)