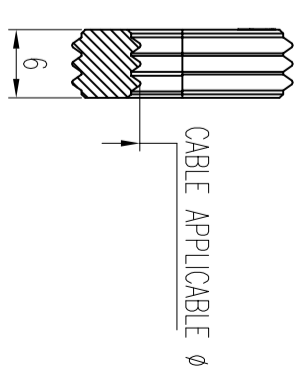
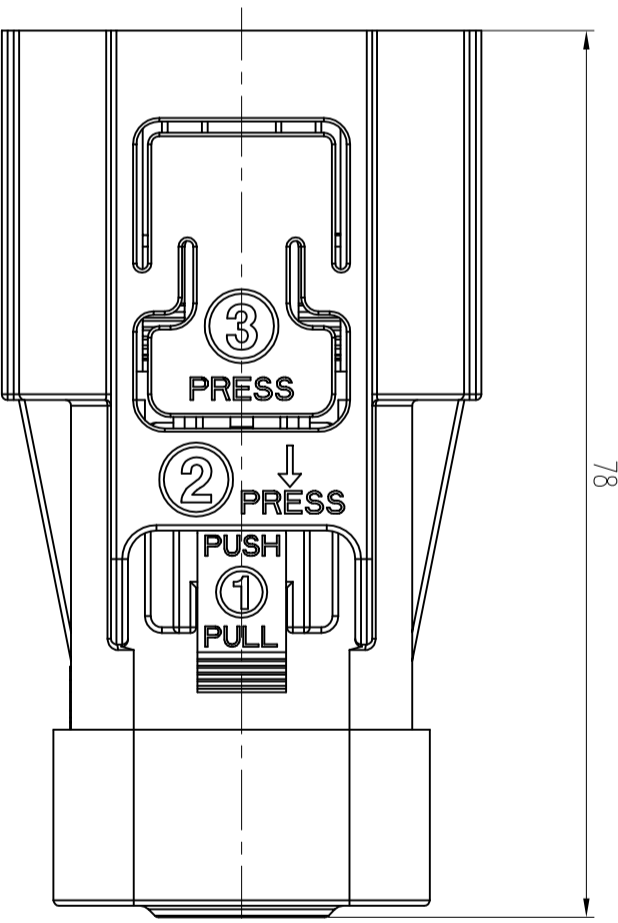
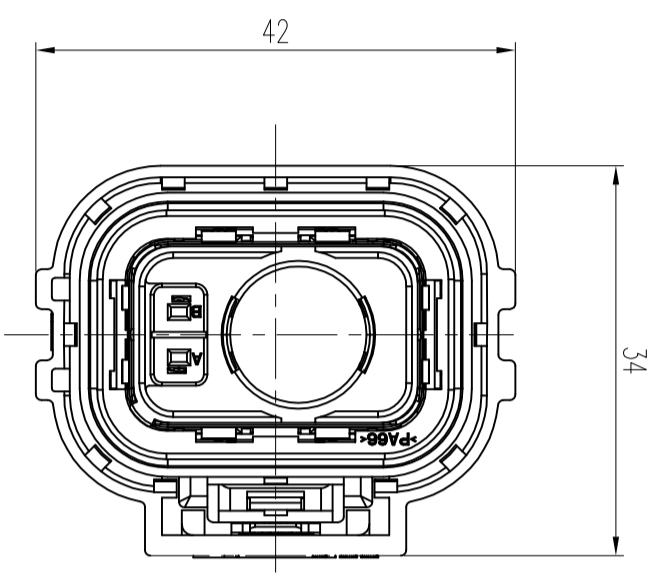
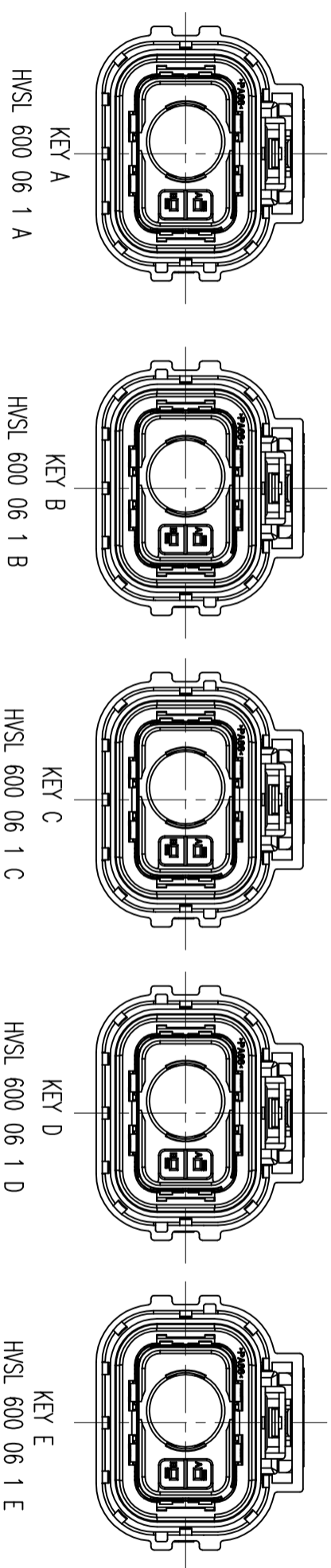


REV	ECN	DESCRIPTION	DATE	MODIFIED
1		PRE-RELEASE	2013.09.16	
2		UPDATE	2013.11.01	G.TANG
3		UPDATE	2013.12.01	G.TANG
4		UPDATE	2014.08.18	Eric



*NOTES:
 1. DEFAULT PACKING ARE NOT INCLUDING CONTACT AND CABLE SEAL, PLEASE REF. TABLE BELOW FOR THE CORRECT SELECTION.

OPTION FOR CONTACT	OPTION FOR CABLE SEAL(DEPENDS ON DIAMETER OF CABLE)		
MAIN CONTACT	HVL CONTACT	Ø12	Ø11
C420003620	C310003614	C270003607	Ø10
		C2700036071	C2700036072

DIMENSIONS	TOLERANCES	PROJECTION
ANSI Y14.5M UNITS: MM CAD FILE	X ± 0.1 XX ±0.02 ANGLES ±0.5°	

TITLE	
HVSL600 PLUG ASSEMBLY	

Electrical data
 Withstand Voltage:3000V AC r.m.s
 Rated Current : up to 120A
 Rated Voltage:630V
 Insulation Resistance: >200MΩ
 Contact Resistance: < 0.5mΩ
 Suited to fit 25mm² cable
 Shielded

***TECHNICAL PARAMETERS**
Material
 Housing : PA66 UL94-V0
 Contacts: Copper alloy,Silver plated
 Shield: Copper alloy
 Seal: Rubber: Silicone

Mechanical data
 Operating Temperature: -40~+125°C
 Durability: 50 cycles
 Contact Type: Crimping
 IP67,IP2XB

ORIGINAL NOT FOR CUSTOMER DISTRIBUTION	THIS DOCUMENT CONTAINS PROPRIETARY INFORMATION WHICH IS THE CONFIDENTIAL PROPERTY OF AMPHENOL PCD SHENZHEN	CHKD APPD	SIZE A3	DWG NO. C-HVSL 600 06 1 X	REV 4
		ENGR G.TANG	CODE:	SCALE 3:2	SHEET 1 OF 1

Mouser Electronics

Authorized Distributor

Click to View Pricing, Inventory, Delivery & Lifecycle Information:

[Amphenol:](#)

[HVSL600061E12512](#) [HVSL600061D02510](#) [HVSL600061D12512](#) [HVSL600061A12510](#) [HVSL600061D12510](#)
[HVSL600061D12511](#) [HVSL600061C12511](#) [HVSL600061C12512](#) [HVSL600061B02511](#) [HVSL600061E12511](#)
[HVSL600061B02510](#) [HVSL600061E02512](#) [HVSL600061B12510](#) [HVSL600061A02511](#) [HVSL600061C12510](#)
[HVSL600061E02511](#) [HVSL600061C02512](#) [HVSL600061A12512](#) [HVSL600061D02512](#) [HVSL600061D02511](#)
[HVSL600061B12511](#) [HVSL600061A02512](#) [HVSL600061B12512](#) [HVSL600061C02511](#) [HVSL600061A12511](#)
[HVSL600061C02510](#) [HVSL600061A02510](#) [HVSL600061E12510](#) [HVSL600061E02510](#) [HVSL600061B02512](#)