

# RJ11 Field

## Rugged RJ11/RJ12 Connection System for Harsh Environment

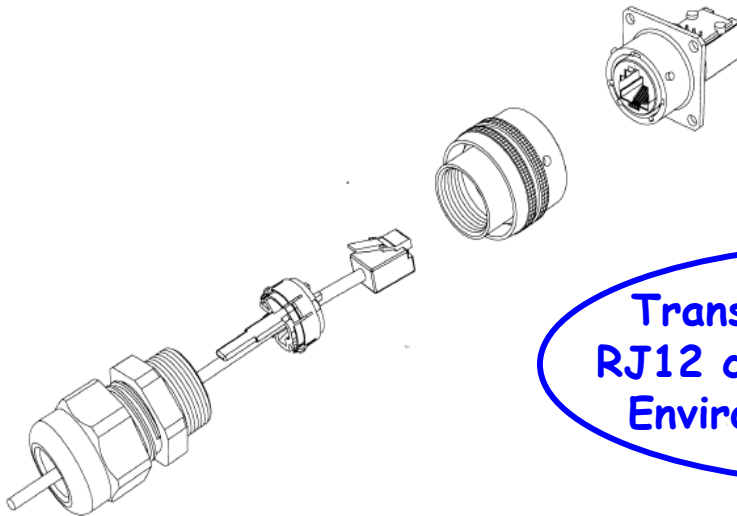
### Description

RJ11Field allows you to use a standard phone RJ11 / RJ12 connection in harsh environments:

- Sealed against fluids and dusts (IP67)
- Shock, Vibration and Traction resistant
- No cabling operation in field and no tools required
- Mechanical Coding / Polarization (4 positions)

With the patented RJStop® system you can use a **standard RJ11 / RJ12 cordset** in a metallic plug which will protect it from shocks, dust and fluids.

No hazardous in-field cabling !



**Transform your RJ11 /  
RJ12 cordset into a Harsh  
Environment Connector !**

This metallic plug is connected into a receptacle, using a fast ¼ turn bayonet coupling mechanism (MIL-C-26482 type) providing both “audible and visual” coupling.

On the receptacle, one female RJ11 / RJ12 is soldered onto a PCB allowing for the following back terminations :

- another female RJ11 / RJ12
- solder termination



*Electronica 2004 :  
Field series awarded  
« Component Product of the Year »*

**ROHS versions :**  
**Nickel Plating : « N »**  
**Black Coating : « B »**

### Applications

Outdoor phone lines for :

- Industrial applications
- Battlefield communication

**Amphenol®**

# Main Characteristics

## Mechanical

- Bayonet coupling ( "Audible & Visual" coupling signal )
- 4 mechanical Coding / Polarization possibilities by the user (insert rotation)
- RJ11 cordset retention in the plug : 100 N in the axis
- Mating cycles : 500 min

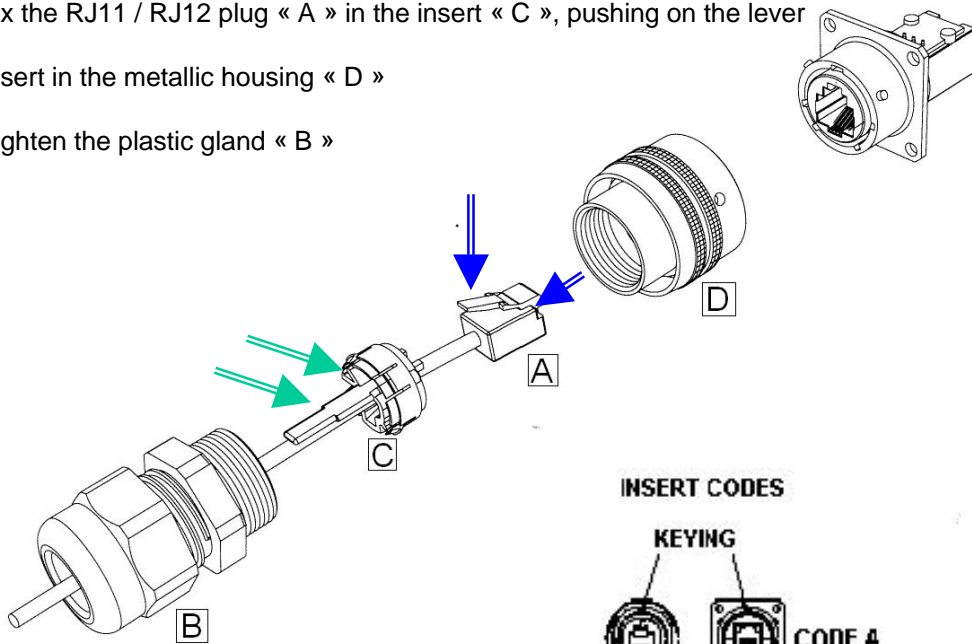
## Environmental Protection

- Sealing : IP67
- Salt Spray : 48 h with Nickel plating  
> 96 h with black coating  
> 500 h with Oliv Drab Cadmium
- Fire Retardant / Low Smoke : UL94 V0 and NF F 16 101 & 16 102
- Vibrations : 10 – 500 Hz, 10 g, 3 axes : no discontinuity > 10 nano s.
- Shocks : IK06 : weight of 250 g drop from 40 cm [15.75 in] onto connectors (mated pair)
- Humidity : 21 days, 43°C, 98% humidity
- Thermal Shock : 5 cycles at - 40°C / +100°C
- Temperature Range : - 40°C / +85°C

## Easy and Safe : No field cabling tools required

### Assembly instructions :

1. Pass the RJ11 / RJ12 plug « A » through the plastic gland « B »
2. Laterally slide the insert « C » on the cable
3. Fix the RJ11 / RJ12 plug « A » in the insert « C », pushing on the lever
4. Insert in the metallic housing « D »
5. Tighten the plastic gland « B »



### 4 coding positions :

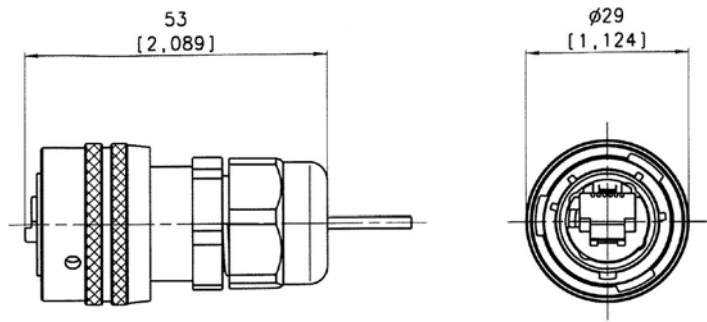
#### INSERT CODES

##### KEYING



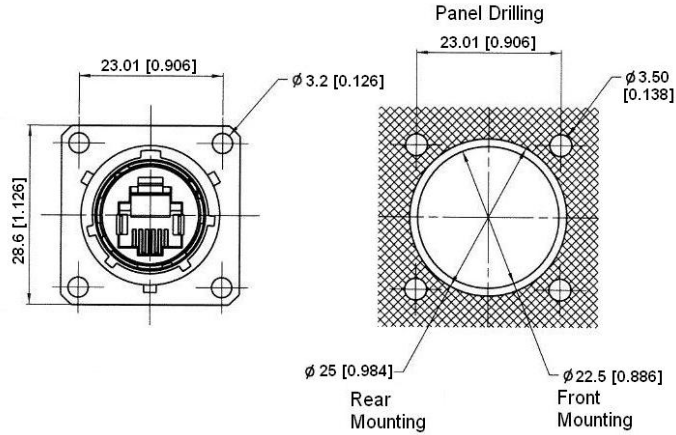
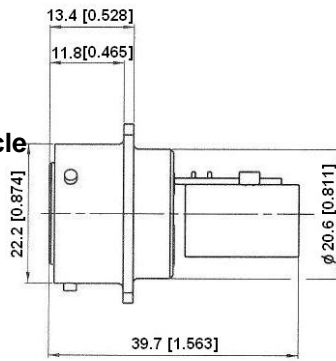
## Plug :

Shell type 6  
with Plastic Gland

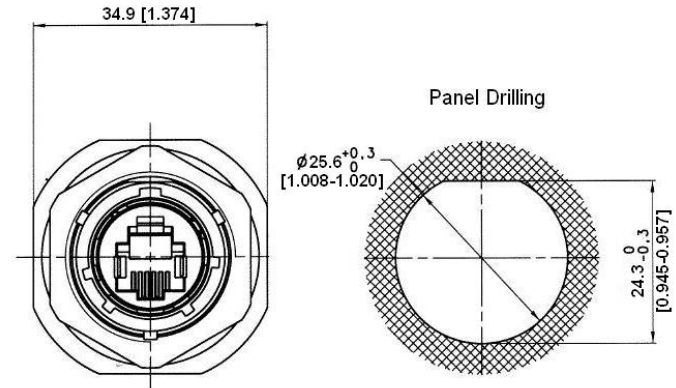
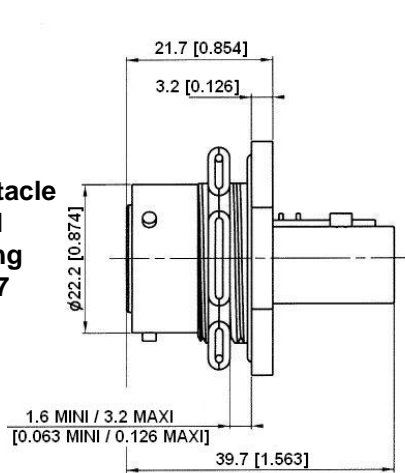


## Receptacles :

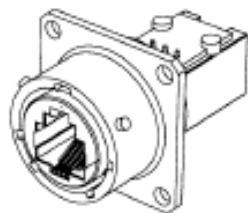
Square flange receptacle  
4 mounting holes  
Shell type 2



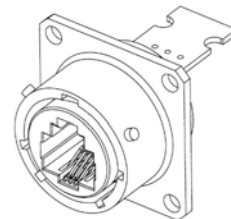
Jam nut receptacle  
Hexagonal  
Nut mounting  
Shell type 7



## Back Terminations :



Type 1 : Female RJ11 / RJ12



Type 2 : Solder  
6 tined through holes to solder your cable

# Part Number Code

HOW TO ORDER

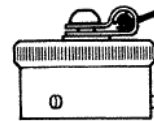
<b>Series</b>	RJ11F	<b>2</b>	<b>2</b>	<b>B</b>
<b>RJ11Field</b>				
<b>Shell Type</b>				
<b>6</b> : Plug, Plastic Gland				
<b>2</b> : Square Flange Receptacle				
<b>7</b> : Jam Nut Receptacle				
<b>Back Terminations (For Receptacles only)</b>				
<b>1</b> : Female RJ11				
<b>2</b> : Solder (6 tined holes)				
<b>Shell Finishes</b>				
<b>B</b> : Black Coating				
<b>N</b> : Nickel				
<b>G</b> : Olive Drab Cadmium				

- Examples :
- Black Plug: **RJ11F 6 B**
  - Black square flange receptacle, Female RJ11 Back termination: **RJ11F 2 1 B**
  - Nickel Jam Nut Receptacle, solder termination : **RJ11F 7 2 N**

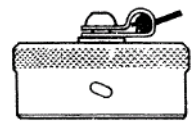
## Accessories :

### Metallic cap

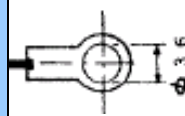
	RJ11FC	<b>2</b>	<b>B</b>
<b>Connector Type</b>			
<b>6</b> : Plug			
<b>2</b> : Square Flange Receptacle			
<b>7</b> : Jam Nut Receptacle			
<b>Finishes</b>			
<b>B</b> : Black Coating			
<b>N</b> : Nickel			
<b>G</b> : Olive Drab Cadmium			



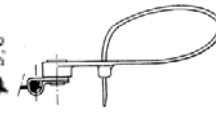
Plug cap



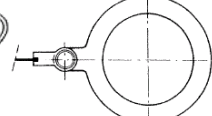
Receptacle cap



Square Flange type « 2 »

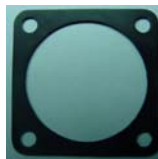


Plug Cap end Type « 6 »



Jam nut receptacle type « 7 »

Panel gasket for square flange « 2 » thickness : 0,6 mm – P/N : JE 14



Insert removal tool for receptacle and plug – P/N = RJ11F ODE



# Mouser Electronics

Authorized Distributor

Click to View Pricing, Inventory, Delivery & Lifecycle Information:

[Amphenol:](#)

[JE14](#)