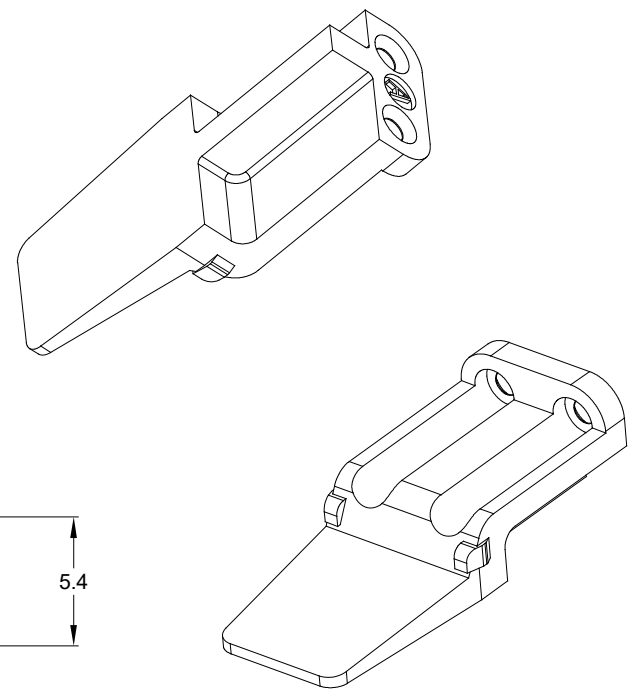
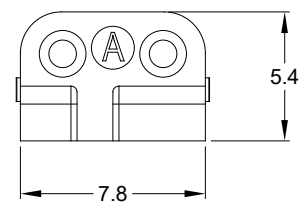
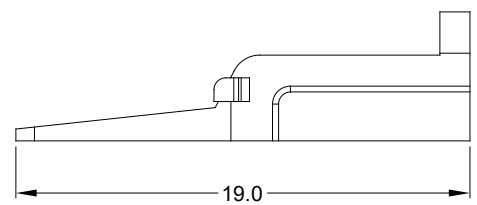
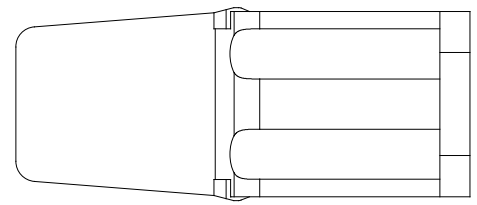


REVISIONS					
REV	ECO	DESCRIPTION	DATE	BY	APPR
A1	-	RELEASE	26/JUL/16	JONY	TOMMY



NOTES: UNLESS OTHERWISE SPECIFIED

1. MATERIAL: THERMOPLASTIC; COLOR: GRAY
2. RoHS COMPLIANT
3. CAVITIES: 2
4. KEYED: A KEYED
5. USE WITH CONNECTORS ATM06-2S*
(* = MODIFICATIONS AND COLORS)
6. ALL DIMENSIONS ARE FOR REFERENCE USE ONLY.

AWM-2SA		REF: WM-2SA																			
PART NUMBER		DESCRIPTION																			
ITEM		ITEM																			
QUANTITY		MATERIALS LIST																			
<p>UNLESS OTHERWISE SPECIFIED</p> <p>1) All dimensions are in metric(mm).</p> <p>2) Tolerances are as follows:</p> <table border="0"> <tr> <td>1 PL DEC ±0.30</td> <td>Fractions ±1/64</td> </tr> <tr> <td>2 PL DEC ±0.15</td> <td>Angles ±1°</td> </tr> <tr> <td>3 PL DEC ±0.08</td> <td></td> </tr> </table> <p>3) Note reference = </p>		1 PL DEC ±0.30	Fractions ±1/64	2 PL DEC ±0.15	Angles ±1°	3 PL DEC ±0.08		<table border="1"> <tr> <th>SIGNATURES</th> <th>DATE</th> </tr> <tr> <td>DRAWN: JONY</td> <td>26/JUL/16</td> </tr> <tr> <td>CHECKED: Orion</td> <td>26/JUL/16</td> </tr> <tr> <td>ENGINEER:</td> <td></td> </tr> <tr> <td>APPROVAL: Tommy</td> <td>26/JUL/16</td> </tr> <tr> <td>CUSTOMER:</td> <td></td> </tr> </table>		SIGNATURES	DATE	DRAWN: JONY	26/JUL/16	CHECKED: Orion	26/JUL/16	ENGINEER:		APPROVAL: Tommy	26/JUL/16	CUSTOMER:	
1 PL DEC ±0.30	Fractions ±1/64																				
2 PL DEC ±0.15	Angles ±1°																				
3 PL DEC ±0.08																					
SIGNATURES	DATE																				
DRAWN: JONY	26/JUL/16																				
CHECKED: Orion	26/JUL/16																				
ENGINEER:																					
APPROVAL: Tommy	26/JUL/16																				
CUSTOMER:																					
MATERIAL SPECIFICATIONS:		<p>THIS DRAWING IS SUPPLIED FOR INFORMATION ONLY. DESIGN FEATURES, SPECIFICATIONS AND PERFORMANCE DATA SHOWN HEREON ARE THE PROPERTY OF THE AMPHENOL CORPORATION. NO RIGHTS OF REPRODUCTION ARE IMPLIED. ALL DIMENSIONS ARE SUBJECT TO NORMAL MANUFACTURING VARIATIONS.</p>																			
PROCESS SPECIFICATIONS:		<table border="1"> <tr> <td>SIZE</td> <td>TYPE</td> <td>DWG NO:</td> <td>REVISION</td> </tr> <tr> <td>B</td> <td>C-</td> <td>AWM-2SA</td> <td>A1</td> </tr> </table>		SIZE	TYPE	DWG NO:	REVISION	B	C-	AWM-2SA	A1										
SIZE	TYPE	DWG NO:	REVISION																		
B	C-	AWM-2SA	A1																		
NEXT ASSY:		<table border="1"> <tr> <td>SCALE:</td> <td>SHEET</td> <td>OF</td> </tr> <tr> <td>NONE</td> <td>1</td> <td>1</td> </tr> </table>		SCALE:	SHEET	OF	NONE	1	1												
SCALE:	SHEET	OF																			
NONE	1	1																			
<p>Amphenol</p> <p>Sine Systems - www.amphenol-sine.com 44724 Morley Drive Clinton Township, MI 48036</p> <p>S-WEDGELOCK, 2 POS, A KEYED, ATM SERIES</p>																					

Mouser Electronics

Authorized Distributor

Click to View Pricing, Inventory, Delivery & Lifecycle Information:

[Amphenol:](#)

[AWM-2SA](#)