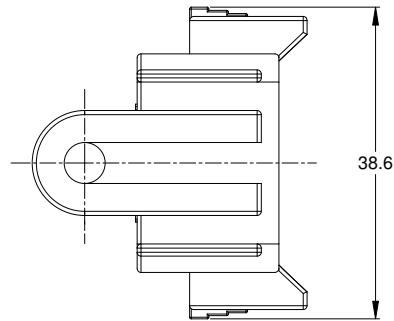
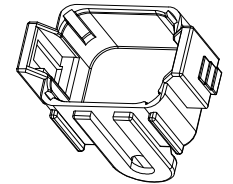
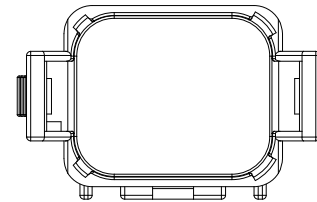
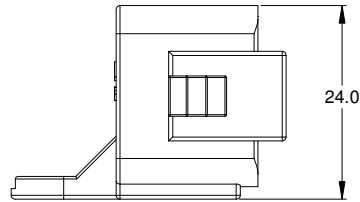
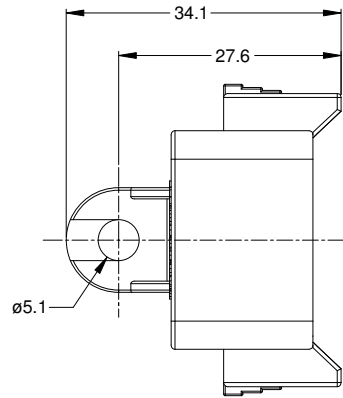


REVISIONS					
REV	ECO	DESCRIPTION	DATE	BY	APPR
A1	-	RELEASE	23JUN15	JAH	



NOTES: UNLESS OTHERWISE SPECIFIED

1. MATERIAL: THERMOPLASTIC, COLOR: BLACK
2. RoHS COMPLIANT
3. MOISTURE RESISTANCE: IP67 MATED CONDITION
4. TEMPERATURE RANGE: -55C~125C
5. USE WITH CONNECTORS AT06-08S*
(* = MODIFICATIONS AND/OR COLORS)
6. ALL DIMENSIONS ARE FOR REFERENCE USE ONLY.

AT06-08S-CAP		DESCRIPTION		ITEM
QUANTITY	PART NUMBER	MATERIALS LIST		
UNLESS OTHERWISE SPECIFIED		SIGNATURES		DATE
1) All dimensions are in metric(mm).		DRAWN: J. HEAD		23JUN2015
2) Tolerances are as follows:		CHECKED:		
1 PL DEC ±0.50		ENGINEER:		
2 PL DEC ±0.15		APPROVAL:		
3 PL DEC ±0.08		CUSTOMER:		
3) Note reference =		THIS DRAWING IS SUPPLIED FOR INFORMATION ONLY. DESIGN FEATURES, SPECIFICATIONS AND PERFORMANCE DATA SHOWN HEREON ARE THE PROPERTY OF THE AMPHENOL CORPORATION. NO RIGHTS OF REPRODUCTION ARE IMPLIED. ALL DIMENSIONS ARE SUBJECT TO NORMAL MANUFACTURING VARIATIONS.		
MATERIAL SPECIFICATIONS:		SIZE		REVISION
PROCESS SPECIFICATIONS:		TYPE		
NEXT ASSY:		SCALE: NONE		
		DWG NO: AT06-08S-CAP		A1
		SHEET 1 OF 1		

TITLE: PROTECTIVE CAP 8 POSITION, AT-SERIES
 DWG NO.: AT06-08S-CAP
 REV: A1
 SH: 1
 OF: 1

Mouser Electronics

Authorized Distributor

Click to View Pricing, Inventory, Delivery & Lifecycle Information:

[Amphenol:](#)

[AT06-08S-CAP](#)