

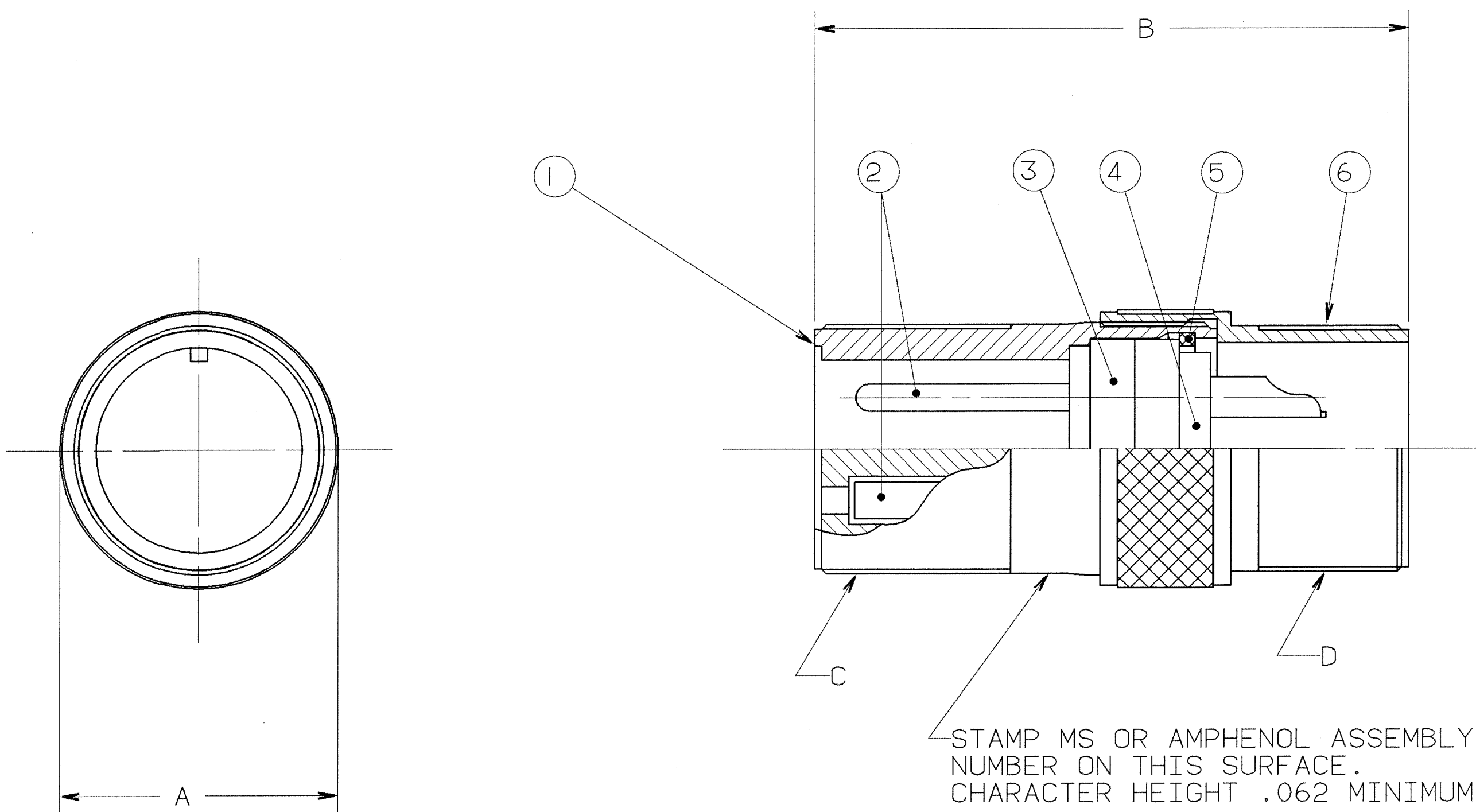
4

3

2

1

REVISIONS				
ZONE	LTR	DESCRIPTION	DATE	APPROVED
—	C	(CLII) ADDED NOTE 7 ECN:22391	08/29/89 BURNSIDE	m.n. J.B.



STAMP MS OR AMPHENOL ASSEMBLY (2) (6)  
NUMBER ON THIS SURFACE.  
CHARACTER HEIGHT .062 MINIMUM.

FIND NO.	QTY REQD.	FSCM NO.	PART NUMBER	DESCRIPTION	NOTE REF.
6	SEE NOTE		SEE NOTE 1	BACK SHELL	
5				RING, RETAINING	
4				INSERT, REAR	
3				INSERT, FRONT	
2				CONTACTS	
1				SHELL	

UNLESS OTHERWISE SPECIFIED  
LINEAR DIMENSIONS ARE IN  
INCHES.  
TOLERANCES: .XXX±.010,  
.XX ±.03, .X ±.1,  
ANGLES ±2°.  
OTHER STANDARDS PER 9-3800  
AND DOD-D-1000.  
NOTE REF. = (XX)

PARTS LIST		SIGNATURES		DATES		AMPHENOL CORPORATION BENDIX CONNECTOR OPERATIONS SIDNEY, N.Y.	
SPECIFICATIONS	MATERIAL SPEC.	PREPARED	A. PRESCOTT	11/6/87			
N/A		CHECKED	PHILPOTT	11/17/87			
PROCESS SPEC.	9-2437-33	APPROVED	BERNHARDT	11/17/87			
		APPROVED	HAYNER	11/17/87			
		1ST PART NO.					
			10-820020-01P				
SIZE	FSCM NO.	C	77820	10-820020/039			
SCALE	NONE	WT.		REF	N/A		

SEE SHEET 2.  
NOTES:

THE USE OF THIS DOCUMENT IS UNLIMITED.  
HOWEVER, DOCUMENTS REFERENCED HEREON  
MAY CONTAIN LIMITED RIGHTS DATA.

N/A  
N/A  
NEXT ASSEMBLY

8/29/89 16:19 \* 89241 14.46 \* PRELISE \* 10-820020/039 0001

97-3101A

0/23/89 16.19 \* 89241 14.51 \* PRELISE \* 10-820020/039 0002

4

3

2

1

BENDIX ASSEMBLY NUMBER	AMPHENOL ASSEMBLY NUMBER	MS ASSEMBLY NUMBER	A DIA.	B	C THREAD	G THREAD
10-820020-()	97-3101A- 8S -()	MS3101A- 8S -()	.531	1.250	.5000-28 UNEF-2A	.5000-28 UNEF-2A
10-820021-()	-10S -()	-10S -()	.625	1.312	.6250-24 UNEF-2A	.5000-28 UNEF-2A
10-820022-()	-10SL-()	-10SL-()	.784	1.457	.6250-24 UNEF-2A	.6250-24 UNEF-2A
10-820023-()	-12S -()	-12S -()	.784	1.457	.7500-20 UNEF-2A	.6250-24 UNEF-2A
10-820024-()	-12SL-()	-12SL-()	NOT AVAILABLE			
10-820025-()	-12 -()	-12 -()	.784	1.844	.7500-20 UNEF-2A	.6250-24 UNEF-2A
10-820026-()	-14S -()	-14S -()	.875	1.438	.8750-20 UNEF-2A	.7500-20 UNEF-2A
10-820027-()	-14 -()	-14 -()	.875	1.844	.8750-20 UNEF-2A	.7500-20 UNEF-2A
10-820028-()	-16S -()	-16S -()	1.000	1.484	1.0000-20 UNEF-2A	.8750-20 UNEF-2A
10-820029-()	-16 -()	-16 -()	1.000	1.891	1.0000-20 UNEF-2A	.8750-20 UNEF-2A
10-820030-()	-18 -()	-18 -()	1.125	2.000	1.1250-18 UNEF-2A	1.0000-20 UNEF-2A
10-820031-()	-20 -()	-20 -()	1.250	2.125	1.2500-18 UNEF-2A	1.1875-18 UNEF-2A
10-820032-()	-22 -()	-22 -()	1.375	2.125	1.3750-18 UNEF-2A	1.1875-18 UNEF-2A
10-820033-()	-24 -()	-24 -()	1.500	2.250	1.5000-18 UNEF-2A	1.4375-18 UNEF-2A
10-820034-()	-28 -()	-28 -()	1.750	2.250	1.7500-18 UNEF-2A	1.4375-18 UNEF-2A
10-820035-()	-32 -()	-32 -()	2.031	2.375	2.0000-18 UNEF-2A	1.7500-18 UNEF-2A
10-820036-()	-36 -()	-36 -()	2.250	2.375	2.2500-16 UN-2A	2.0000-18 UNEF-2A
10-820037-()	-40 -()	-40 -()	2.750	2.375	2.5000-16 UN-2A	2.2500-16 UN-2A
10-820038-()	-44 -()	-44 -()	NOT AVAILABLE			
10-820039-()	-48 -()	-48 -()	NOT AVAILABLE			

D

D

C

C

B

97-3101A

B

A

A

TO COMPLETE, ADD APPLICABLE INSERT ARRANGEMENT SUFFIX PER 9-2437-33. <sup>6</sup>

7. IDENTIFY PACKAGE WITH APPLICABLE MS OR 97- PART NUMBER PER NOTE 6.
6. FOR BENDIX INSERT ARRANGEMENT SUFFIX -1 THROUGH -49, STAMP MS ASSEMBLY NUMBER. FOR BENDIX INSERT ARRANGEMENT SUFFIX -50 THROUGH -99, AND -AA THROUGH -BC, STAMP AMPHENOL ASSEMBLY NUMBER.
5. FOR CONTACT ARRANGEMENT, SEE MIL-STD-1651 AND L-22208-() THROUGH L-22248-().
4. PACKAGE PER PRODUCTION PROCESS SHEET.
3. UNITS MEET THE APPLICABLE REQUIREMENTS OF MIL-C-5015.
2. SEE WORK ORDER FOR PERMISSIBLE ADDITIONAL OR ALTERNATE STAMPING.
1. SEE SEPARATE PARTS LIST FOR COMPONENT PART NUMBERS AND QUANTITIES.

NOTES:

THE USE OF THIS DOCUMENT IS UNLIMITED. HOWEVER, DOCUMENTS REFERENCED HEREON MAY CONTAIN LIMITED RIGHTS DATA.

COMPUTER GENERATED DRAWING

SIZE	FSCM NO.	REV.
C	77820	10-820020/039
SCALE	WT.	REF.
		SHEET 2

TAB.

# Mouser Electronics

Authorized Distributor

Click to View Pricing, Inventory, Delivery & Lifecycle Information:

## Amphenol:

[97-3101A-12S](#) [97-3101A-14S](#) [97-3101A-16S](#) [97-3101A-18](#) [97-3101A-20](#) [97-3101A-22](#) [97-3101A-24](#) [97-3101A-28](#)  
[97-3101A-22-19P](#) [97-3101A-18-1S](#) [97-3101A-18-19P](#) [97-3101A-20-27P](#) [97-3101A-10SL-4P](#) [97-3101A-24-2P](#) [97-](#)  
[3101A-24-2S](#) [97-3101A-24-7P](#) [97-3101A-24-7S](#) [97-3101A-18 \(621\)](#) [97-3101A-24-5S](#) [97-3101A-24-5P](#) [97-3101A-20-](#)  
[16P](#) [97-3101A-20-16S](#) [97-3101A-20-15P](#) [97-3101A-20-15S](#) [97-3101A-22-19S](#) [97-3101A-22-14S](#) [97-3101A-22-14P](#)  
[97-3101A-16-10P](#) [97-3101A-16-10S](#) [97-3101A1819S621](#) [97-3101A-28-21S](#) [97-3101A-28-21P](#) [97-3101A-18-1P](#) [97-](#)  
[3101A-18-4S](#) [97-3101A-18-4P](#) [97-3101A-28-10S](#) [97-3101A-28-10P](#) [97-3101A-12S-3P](#) [97-3101A-12S-3S](#) [97-3101A-](#)  
[28-16P](#) [97-3101A-28-16S](#) [97-3101A-28-15P](#) [97-3101A-28-15S](#) [97-3101A-28-11S](#) [97-3101A-28-11P](#) [97-3101A-32-](#)  
[414S](#) [97-3101A-32-414P](#) [97-3101A-18-8P](#) [97-3101A-18-8S](#) [97-3101A-16S-8S](#) [97-3101A-16S-8P](#) [97-3101A-16S-1P](#)  
[97-3101A-16S-1S](#) [97-3101A-32-8P](#) [97-3101A-32-8S](#) [97-3101A-36 \(689\)](#) [97-3101A-14S-6S](#) [97-3101A-14S-6P](#) [97-](#)  
[3101A-14S-5P](#) [97-3101A-14S-5S](#) [97-3101A-20-4S](#) [97-3101A-36](#) [97-3101A-20\(639\)](#) [97-3101A-18-29S](#) [97-3101A-18-](#)  
[29P](#) [97-3101A-18-22S](#) [97-3101A-14S-1S\(689\)](#) [97-3101A-14S-2P\(639\)](#) [97-3101A-14S-2S\(621\)](#) [97-3101A-14S-](#)  
[2S\(689\)](#) [97-3101A-14S-4P](#) [97-3101A-14S-4S](#) [97-3101A-14S-5S\(689\)](#) [97-3101A-14S-6P\(689\)](#) [97-3101A-14S-6S\(639\)](#)  
[97-3101A-16-11P](#) [97-3101A-16-11S](#) [97-3101A-16-12P](#) [97-3101A-16-12S](#) [97-3101A-16-7P](#) [97-3101A-16-7S](#) [97-](#)  
[3101A-16-9P](#) [97-3101A-16S-4P](#) [97-3101A-16S-5P](#) [97-3101A-16S-6P](#) [97-3101A-16S-6S](#) [97-3101A-18-13P](#) [97-](#)  
[3101A-18-13S](#) [97-3101A-18-20P](#) [97-3101A-18-20S](#) [97-3101A-18-22P](#) [97-3101A-18-3P](#) [97-3101A-18-5P](#) [97-3101A-](#)  
[18-5S](#) [97-3101A-18-9P](#) [97-3101A-18-9S](#) [97-3101A-20-11P](#) [97-3101A-20-11S](#) [97-3101A-20-14P](#) [97-3101A-20-14S](#)