

General purpose triaxial accelerometers

993B series

SPECIFICATIONS

	993B-5	993B-6	993B-7
Sensitivity, $\pm 10\%$, 25°C	25 mV/g	50 mV/g	100 mV/g
Acceleration range	160 g peak	80 g peak	40 g peak
Amplitude nonlinearity	1%		
Frequency response ¹ : Z axis, ± 3 dB	2 - 10,000 Hz		
X and Y axes, ± 3 dB	2 - 7,000 Hz		
Transverse sensitivity, max	7% of axial		
Power requirement:			
Voltage source	18 - 30 VDC		
Current regulating diode	2 - 5 mA		
Electrical noise, equiv. g, nominal:			
Broadband 2.5 Hz to 25 kHz	336 μ g	220 μ g	160 μ g
Spectral 10 Hz	24 μ g/ $\sqrt{\text{Hz}}$	15 μ g/ $\sqrt{\text{Hz}}$	10 μ g/ $\sqrt{\text{Hz}}$
100 Hz	3.2 μ g/ $\sqrt{\text{Hz}}$	2.0 μ g/ $\sqrt{\text{Hz}}$	1.4 μ g/ $\sqrt{\text{Hz}}$
1,000 Hz	2.0 μ g/ $\sqrt{\text{Hz}}$	1.1 μ g/ $\sqrt{\text{Hz}}$	1.0 μ g/ $\sqrt{\text{Hz}}$
Output impedance, max	400 Ω		
Bias output voltage	11 VDC		
Grounding	case isolated, internally shielded		
Turn-on time	<1 sec		
Temperature range	-50° to +120°C		
Vibration limit	500 g peak		
Shock limit	5,000 g peak		
Electromagnetic sensitivity, equiv. g	100 μ g/gauss		
Sealing	hermetic		
Base strain sensitivity, max	0.0005 g/ μ strain		
Hydrostatic pressure, max	100 psi (IP68)		
Weight (excluding cable)	134 grams		
Case material	316L stainless steel		
Cable	integral, 16 ft. Teflon® J9T4B, armored		
Cable termination ²	stripped and tinned		
Mounting	10-32 captive screw		

Notes: ¹ As measured using the mounting screw.

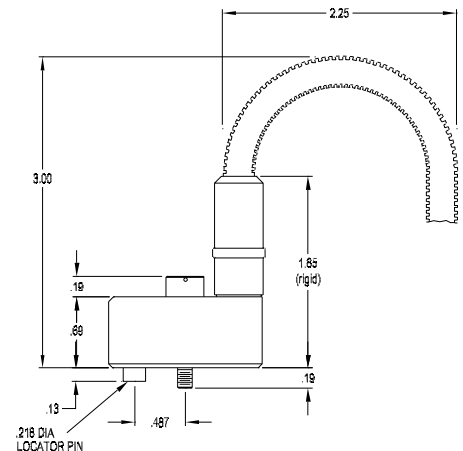
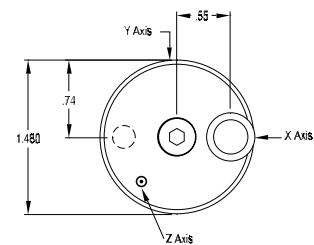
² Optional cable terminations: R11D (11-pin Fischer), R9W (4-pin Bendix), R21 (4-pin Amp), 3xR2 (BNC)

Accessories supplied: 10-32 captive screw; calibration data (level 2)



Key features

- Hazardous area certified versions available (models 993B-5-33, 993B-6-33, and 993B-7-33)
- Manufactured in ISO 9001 facility



Connections	
Function	Cable conductor color
X axis, power/signal	green
Y axis, power/signal	red
Z axis, power/signal	white
common (all channels)	black
N/C	shield



Note: Due to continuous process improvement, specifications are subject to change without notice. This document is cleared for public release.

Mouser Electronics

Authorized Distributor

Click to View Pricing, Inventory, Delivery & Lifecycle Information:

[Amphenol:](#)

[993B-7](#)