


SIGN	DATE	DESCRIPTION	APPROVER
△	3/11'09	Dim.A & Dim.B Changed	Tony
△	2009.12.18	Add UL standard	Jacke
△	2010.03.23	Add the 2p mark	Jacke

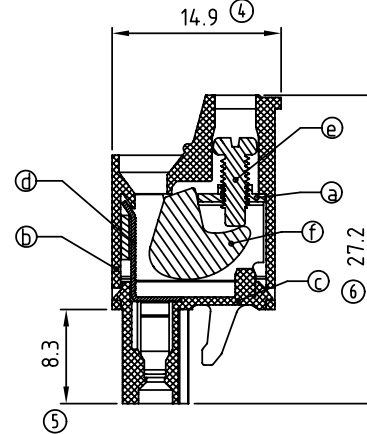
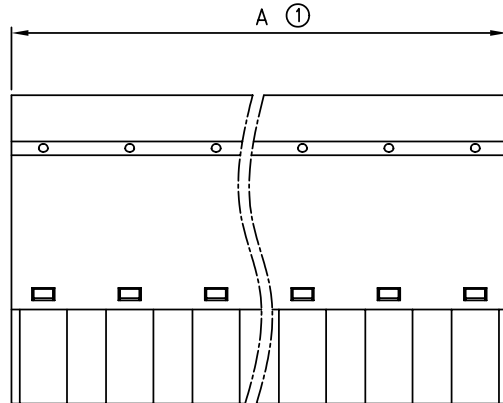
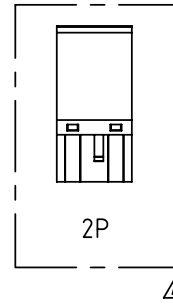
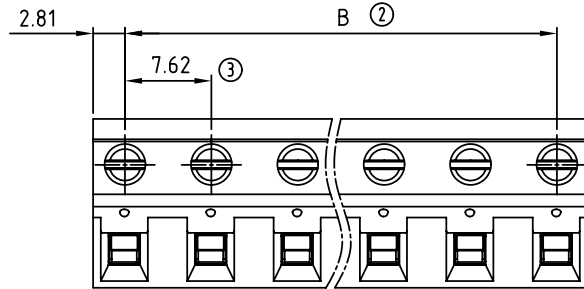
THIS IS CAD DRAWING, DO NOT REVISE MANUALLY!!!

Material:

- Item ① Clamp: Steel Zinc plated
 - Item ② Terminal(Up body): Thermoplastic (UL94V-0)
 - Item ③ Terminal(Down body): Thermoplastic (UL94V-0)
 - Item ④ Female contact: PhBz(CuSn),Tin plated.
 - Item ⑤ Terminal screw: Steel Zinc plating "-" slot type
 - Item ⑥ Clampage: Steel/steel Zinc plated
- Electrical: cULus
- Voltage rating: 300V
 - Current rating: 20A
 - Wire range:
 - Solid wire(AWG): 12-22
 - Stranded wire(AWG): 12-22
 - Torque: 3.5 Lb-In.
 - Screw: M2.5
 - Wire strip length: 8-9mm
 - Withstanding Voltage: 1.6KV
 - Operating temperature: -40°C to +115°C
- △ ● Safety Approval: 

VM xx 0 5 x 1 xxxx G

- POLES ————
- 02: 02 pole
 " " "
 16: 16 pole
- Color
- 0 Black (RAL9005)
 - 2 Red (RAL3001/D)
 - 3 Orange(RAL2011/P)
 - 4 Yellow(RAL1018/A)
 - 5 Green(RAL6018/T)
 - 6 Blue (RAL5015/A)
 - 8 Grey(RAL7035/D)
- G: Pb<40000ppm
- 0000: "@" Logo (Standard)
(Steel screw plating Cr³)
 - 000A: "ANYTEK" Mark
 - Any special item by customer request.
please contact sales department.

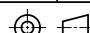


POLE	2	3	4	5	6	7	8	
A	13.24	20.86	28.48	36.10	43.72	51.34	58.96	
B	7.62	15.24	22.86	30.48	38.10	45.72	53.34	
Tol.	±0.15			±0.20				
POLE	9	10	11	12	13	14	15	16
A	66.58	74.20	81.82	89.44	97.06	104.68	112.30	119.92
B	60.96	68.58	76.20	83.82	91.44	99.06	106.68	114.30
Tol.	±0.30			±0.40				

ANYTEK

CUSTOMER COPY

ALL RIGHTS RESERVED. REPRODUCTION OR ISSUE TO THIRD PARTIES IN ANY FORM WHATSOEVER IS NOT PERMITTED WITHOUT WRITTEN AUTHORITY FROM THE PROPRIETOR. PROPERTY OF ANYTEK TECHNOLOGY CO., LTD

TITLE		VM 7.62 mm W/O Flange Series			
PART NO.	VMxx05x1xxxxG	DWG NO.	8VM0502		
APPROVED	CHECKED	DESIGNED	DRAWN	CUST NO.	Tolerance
		Jacke 2010.03.23	Jacke 2009.12.18		UNIT: mm SCALE: NONE
				SHEET: 01/01	REV.: E
				X. ±0.50 X.X ±0.30 X.XX ±0.10 X° ±1°	

Mouser Electronics

Authorized Distributor

Click to View Pricing, Inventory, Delivery & Lifecycle Information:

Amphenol:

[VM0205510000G](#) [VM0305510000G](#) [VM0405510000G](#) [VM0505510000G](#) [VM0605510000G](#) [VM0705510000G](#)
[VM0805510000G](#) [VM0905510000G](#) [VM1005510000G](#) [VM1105510000G](#) [VM1205510000G](#) [VM1305510000G](#)
[VM1405510000G](#) [VM1505510000G](#) [VM1605510000G](#) [VM1605810000G](#) [VM1605010000G](#) [VM1305810000G](#)
[VM1305010000G](#) [VM1405810000G](#) [VM0905810000G](#) [VM1205010000G](#) [VM0205810000G](#) [VM0605010000G](#)
[VM0305010000G](#) [VM0305810000G](#) [VM0805810000G](#) [VM0205010000G](#) [VM0705010000G](#) [VM0705810000G](#)
[VM1005010000G](#) [VM1105810000G](#) [VM1405010000G](#) [VM1505810000G](#) [VM0405810000G](#) [VM0505010000G](#)
[VM0605810000G](#) [VM1105010000G](#) [VM0805010000G](#) [VM1005810000G](#) [VM0405010000G](#) [VM0505810000G](#)
[VM1505010000G](#) [VM0905010000G](#) [VM1205810000G](#)