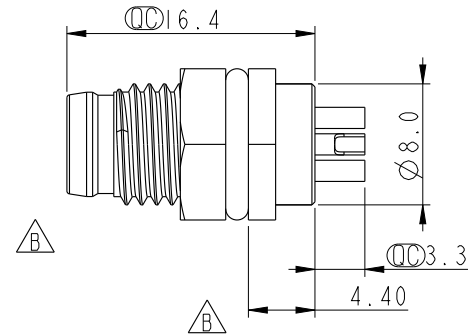
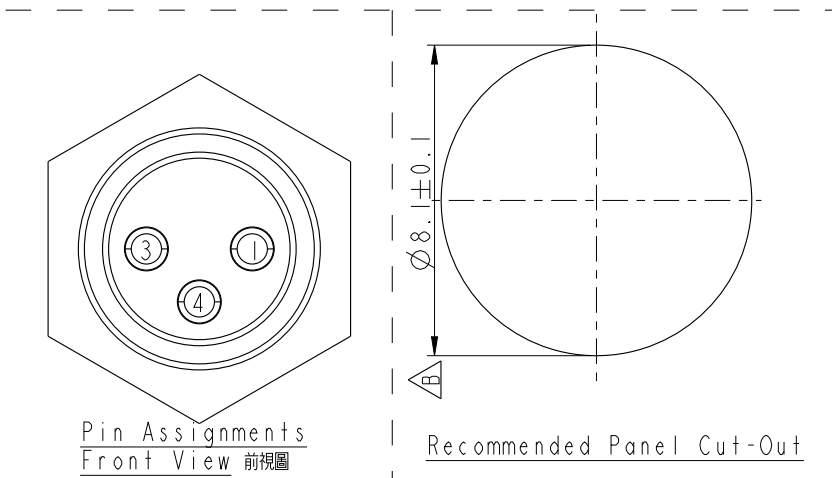
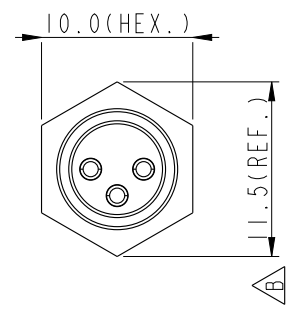
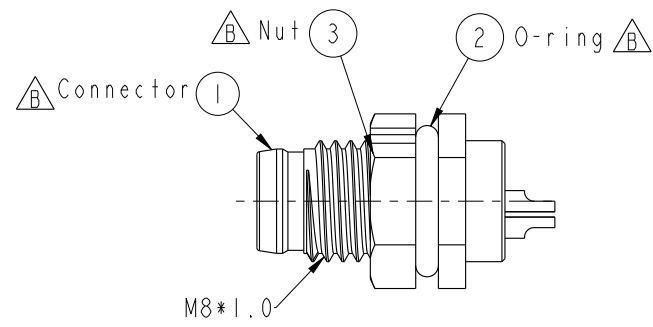
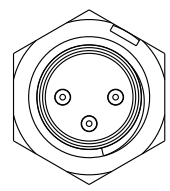


THIS DOCUMENT IS SUBJECT TO CHANGE WITHOUT NOTICE. IT IS CONFIDENTIAL AND A PROPERTY OF AMPHENOL LTW. DISCLOSURE TO THIRD PARTY HAS TO BE AUTHORIZED BY AMPHENOL LTW.

| REV. | ECN NO. | DATE | SIGN | DESCRIPTION |
|------|------------|------------|----------|-------------------------|
| B | LEN-910193 | 2009/01/07 | Ivan Lin | Change rev. to ECN note |
| C | C200518 | 2020/04/25 | Peng | △C XI |



- Note:
- * (Circled) Important Dimension To Check.
 - * Waterproof Rate: IP67
 - * Housing: Black, Nylon+GF
 - * Male Pin: Copper Alloy, Gold Plated
 - * Nut: Black, Nylon+GF
 - * O-Ring: Black, EPDM
 - * Panel Thickness For Snap-in Type Max 3.0mm
 - * Panel Thickness For Screw Type Max 1.9mm

| | | | |
|---|----------------|---------------------|---|
| UNIT:mm | | | TITLE M8 Conn Panel Screw 3P M Conn M Pin |
| TOLERANCE .X ±0.25 .XX ±0.1 .XXX ±0.05 ANGLES ±1° | SCALE 2:1 | SIZE A4 | SHEET 1 OF 1 |
| REV. C | WC-REV. A.6 | QC: Inspection item | |

Amphenol LTW
安費諾亮泰企業股份有限公司

| | | |
|-----------------------------|---------------------------|--------------------|
| ITEM NO 8P-03PMMS-SF7001 | DRAWN BY Ivan Lin | DATE 2009/01/07 |
| DWG NO 8P-03PMMS-SF7001 | CHECKED BY Tommy Hom | DATE 2009/01/07 |
| CUSTOMER ALTW | APPROVED BY Luke Chang | DATE 2009/01/07 |

Mouser Electronics

Authorized Distributor

Click to View Pricing, Inventory, Delivery & Lifecycle Information:

[Amphenol:](#)

[8P-03PMMS-SF7001](#)