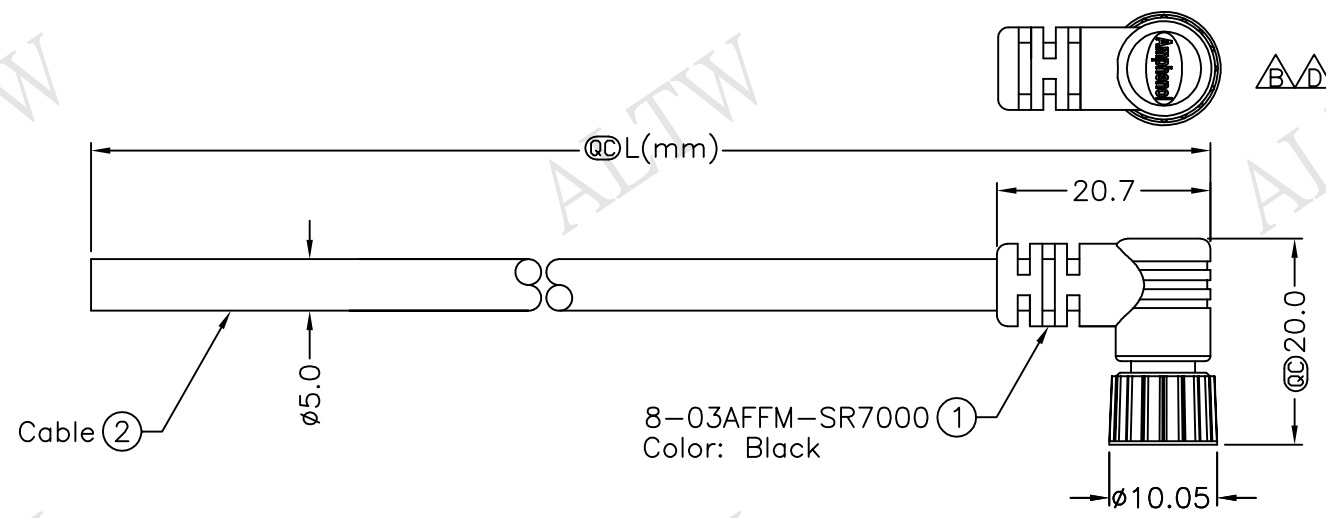
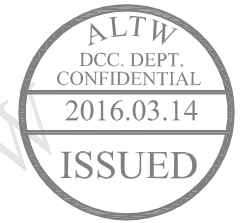


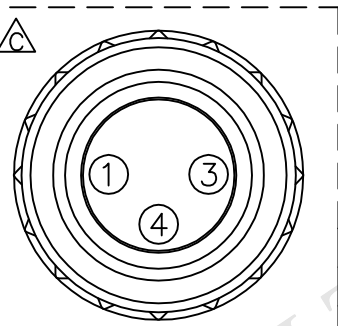
REV.	ECN NO.	DATE	SIGN	DESCRIPTION
B	LEN-780062	2007/06/06	Kenneth	Add Projection. Apply New Format
C	LEN-920194~197	2009/02/04	Vicky	Update the drawing
D	LEN1630140~143	2016/03/07	Vicky	Update Logo



8-03AFFM-SR7AXX  
 XX:01~99Meters  
 01:01Meter  
 02:02Meters  
 :  
 :  
 99:99Meters  
 Cable Length(L):01~99Meters



- Note:
- \* @C Important Dimension
  - \* Waterproof Rate: IP67
  - \* Connector: PU, Black
  - \* Female Pin: Copper Alloy, Gold Plated
  - \* Cable: UL2464 22AWG\*3C+Talcum, Black, PVC Jacket, UV Resistant, OD=5.0mm
  - \* Cable Length Tolerance:
    - 01M:±40mm
    - 02M~05M:±60mm
    - 06M~10M:±100mm
    - 11M~30M:±200mm
    - 31M~99M:±500mm



Pin Assignments  
Front View

4	Black	黑
3	Blue	藍
1	Brown	棕
Conn.	Wire Color	
Pin Out		

UNIT:mm	
TOLERANCE	±0.5 mm

TITLE	M8 Conn	
	Cable Screw 3P F Conn F Pin	
SCALE	Free	SHEET 1 OF 1
REV. D	SIZE A4	@C :Inspection Item

**Amphenol LTW**  
 安費諾亮泰企業股份有限公司

ITEM NO	DRAWN BY	DATE
DWG NO	CHECKED BY	DATE
CUSTOMER	APPROVED BY	DATE
	Vicky	2016/03/07
8-03AFFM-SR7AXX	Rita	2016/03/07
ALTW	Lisa	2016/03/07

THIS DOCUMENT IS SUBJECT TO CHANGE WITHOUT NOTICE. IT IS CONFIDENTIAL AND A PROPERTY OF AMPHENOL LTW. DISCLOSURE TO THIRD PARTY HAS TO BE AUTHORIZED BY AMPHENOL LTW.

# Mouser Electronics

Authorized Distributor

Click to View Pricing, Inventory, Delivery & Lifecycle Information:

[Amphenol:](#)

[8-03AFFM-SR7A01](#) [8-03AFFM-SR7A02](#) [8-03AFFM-SR7A05](#) [8-03AFFM-SR7A10](#)